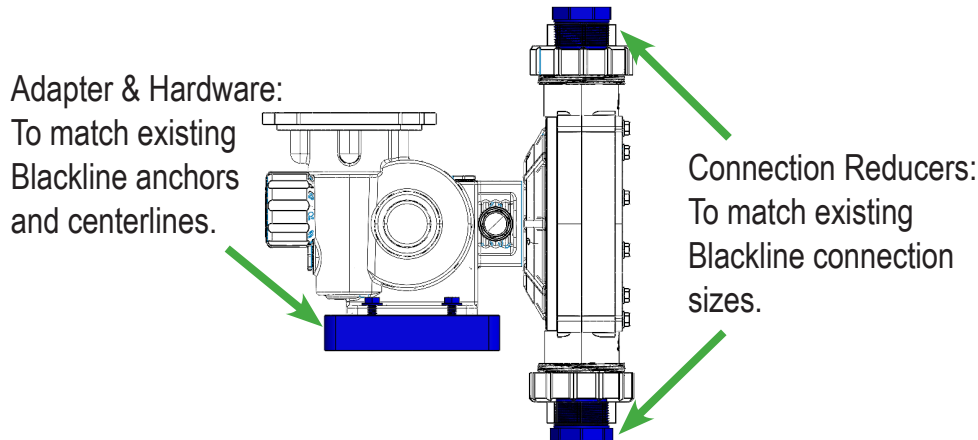


# GreenLine Conversion Kit

Are you replacing a BlackLine Mechanical Diaphragm pump with Pulsafeeder GreenLine Mechanical Diaphragm pump in the field?

You may be aware of the advantages of switching to the new GreenLine pump: from its robust drive train, smaller footprint, and leak-free design to its auto locking stroke adjuster and amazing value; GreenLine is the best in its class. Now we've made it even easier to switch! We're introducing a conversion kit that will simplify the conversion process. The kit can be ordered at no cost\* when replacing existing Blackline pump installation.



## BLACKLINE TO GREENLINE CONVERSION KITS INCLUDE

- **Adapter Plate:** A block that the base of the GreenLine is mounted to which allows the new GreenLine to be bolted into the exact same base-mounting bolt hole pattern as the Blackline it is replacing. It will also keep the same port-to-port centerline with the existing system piping\*.
- **Adapter Hardware:** Bolts, nuts, washers used to mount the GreenLine to the Adapter Plate.
- **Connection Reducers:** Allows the customer to use the same piping size as they did for the BlackLine\*.

\*The end user may have to slightly extend or reduce the existing system piping to connect to the new GreenLine ports.

| Blackline to GreenLine Model | WET-END CONFIGURATION |            |            |
|------------------------------|-----------------------|------------|------------|
|                              | PVC                   | 316        | PVDF       |
| MD1A to DM2A                 | KDM2ACDX *            | KDM2ACDX * | KDM2ACDX * |
| MD1B to DM2C                 | KDM2ACDX *            | KDM2ACDX * | KDM2ACDX * |
| MD1C to DM2D                 | KDM2ACDX *            | KDM2ACDX * | KDM2ACDX * |
| MD1D to DM4B                 | KDM4BXXV              | KDM4BXXS   | KDM4BXXF   |
| MD1E to DM4B                 | KDM4BXXV              | KDM4BXXS   | KDM4BXXF   |
| MD2F to DM4C                 | KDM4CXXV              | KDM4CXXS   | KDM4CXXF   |
| MD2J to DM4D                 | KDM4CXXV              | KDM4CXXS   | KDM4CXXF   |
| MD2J to DM5C                 | KDM5CDXV              | KDM5CDXS   | KDM5CDXF   |
| MD2K to DM5D                 | KDM5CDXV              | KDM5CDXS   | KDM5CDXF   |
| MD3G to DM6C                 | KDM6CXXV              | KDM6CXXS   | KDM6CXXF   |

\* Adapter and hardware no reducers.

## HOW TO ORDER CONVERSION KIT

- Please find conversion part number using table above
- Part number should be entered on purchase order as a separate line item
- Eligible for special discounts when purchased with GreenLine pump for BlackLine replacement. Please contact your sales manager.
- Part will ship in separate box than pump

- Standard material for the connection reducers is PVC or 316SS. PVDF is available at a highly discounted price for conversions.
- Existing piping may need to be cut (most likely) or extended (unlikely) to meet the new pump nozzle location.