

---

# W A L C H E M

---

IWAKI America Inc.

## WCN/WDS/WPH100 Series Wall Mount Industrial Controller

## Instruction Manual



## **Notice**

© 2022 WALCHEM, Iwaki America Incorporated (hereinafter “Walchem”)  
5 Boynton Road, Holliston, MA 01746 USA  
(508) 429-1110  
All Rights Reserved  
Printed in USA

## **Proprietary Material**

The information and descriptions contained herein are the property of WALCHEM. Such information and descriptions may not be copied or reproduced by any means, or disseminated or distributed without the express prior written permission of WALCHEM, 5 Boynton Road, Holliston, MA 01746.

This document is for information purposes only and is subject to change without notice.

## **Statement of Limited Warranty**

WALCHEM warrants equipment of its manufacture, and bearing its identification to be free from defects in workmanship and material for a period of 24 months for electronics and 12 months for mechanical parts and electrodes from date of delivery from the factory or authorized distributor under normal use and service and otherwise when such equipment is used in accordance with instructions furnished by WALCHEM and for the purposes disclosed in writing at the time of purchase, if any. WALCHEM’s liability under this warranty shall be limited to replacement or repair, F.O.B. Holliston, MA U.S.A. of any defective equipment or part which, having been returned to WALCHEM, transportation charges prepaid, has been inspected and determined by WALCHEM to be defective. Replaceable elastomeric parts and glass components are expendable and are not covered by any warranty.

THIS WARRANTY IS IN LIEU OF ANY OTHER WARRANTY, EITHER EXPRESS OR IMPLIED, AS TO DESCRIPTION, QUALITY, MERCHANTABILITY, FITNESS FOR ANY PARTICULAR PURPOSE OR USE, OR ANY OTHER MATTER.

180531 Rev. W September 2022

# Contents

---

|  |           |
|--|-----------|
| <b>1.0 INTRODUCTION</b>  | <b>1</b>  |
| <b>2.0 SPECIFICATIONS</b>  | <b>2</b>  |
| 2.1 Measurement Performance                                      | 2         |
| 2.2 Electrical: Input/Output                                     | 3         |
| 2.3 Intended Use   | 6         |
| 2.4 Mechanical   | 6         |
| 2.5 Variables and their Limits                                   | 6         |
| <b>3.0 UNPACKING &amp; INSTALLATION</b>                          | <b>8</b>  |
| 3.1 Unpacking the unit   | 8         |
| 3.2 Mounting the electronic enclosure                            | 8         |
| 3.3 Sensor Installation  | 9         |
| 3.4 Icon Definitions   | 10        |
| 3.5 Electrical installation                                      | 10        |
| <b>4.0 FUNCTION OVERVIEW</b>                                     | <b>26</b> |
| 4.1 Front Panel  | 26        |
| 4.2 Display  | 26        |
| 4.3 Keypad   | 26        |
| 4.4 Icons  | 26        |
| 4.5 Startup  | 28        |
| 4.6 Shut Down  | 33        |
| <b>5.0 OPERATION</b>   | <b>34</b> |
| 5.1 Alarms Menu  | 34        |
| 5.2 Inputs Menu  | 34        |
| 5.2.1 Contacting Conductivity (Only available in some models)    | 37        |
| 5.2.2 pH   | 37        |
| 5.2.3 ORP  | 38        |
| 5.2.4 Disinfection (Only available in some models)               | 38        |
| 5.2.5 Electrodeless Conductivity (Only available in some models) | 39        |
| 5.2.6 Generic Sensor   | 39        |
| 5.2.7 Temperature  | 40        |
| 5.2.8 DI State   | 40        |
| 5.2.9 Flow Meter, Contactor Type                                 | 41        |
| 5.2.10 Flow Meter, Paddlewheel Type                              | 41        |
| 5.3 Outputs Menu   | 42        |
| 5.3.1 Relay, Any Control Mode                                    | 42        |
| 5.3.2 Relay, On/Off Control Mode                                 | 43        |
| 5.3.3 Relay, Alarm Mode  | 43        |

|            |  |           |
|------------|--|-----------|
| 5.3.4      | Relay, Time Proportional Control Mode.....   | 43        |
| 5.3.5      | Relay, Pulse Proportional Control Mode .....   | 44        |
| 5.3.6      | Relay, PID Control Mode.....   | 44        |
| 5.3.7      | Relay, Dual Set Point Mode .....   | 47        |
| 5.3.8      | Relay or Analog Output, Manual Mode .....  | 47        |
| 5.3.9      | Relay, Flow Timer Control Mode .....   | 47        |
| 5.3.10     | Relay, Percent Timer Control Mode .....  | 48        |
| 5.3.11     | Relay, Timer Control Mode.....   | 48        |
| 5.3.12     | Relay, Probe Wash Control Mode .....   | 49        |
| 5.3.13     | Analog Output, Retransmit Mode.....  | 50        |
| 5.3.14     | Analog Output, Proportional Control Mode .....   | 50        |
| 5.3.15     | Analog Output, PID Control Mode.....   | 51        |
|            | ONLY AVAILABLE IF CONTROLLER INCLUDES ANALOG OUTPUT HARDWARE<br>& HVAC MODE IS DISABLED..... | 51        |
| 5.4        | Config Menu .....  | 54        |
| 5.4.1      | Global Settings.....   | 54        |
| 5.4.2      | Security Settings .....  | 54        |
| 5.4.3      | Display Settings.....  | 55        |
| 5.4.4      | File Utilities.....  | 55        |
| 5.4.5      | Controller Details.....  | 55        |
| <b>6.0</b> | <b>MAINTENANCE.....</b>  | <b>56</b> |
| 6.1        | Replacing the Fuse .....   | 56        |
| <b>7.0</b> | <b>TROUBLESHOOTING.....</b>  | <b>56</b> |
| 7.1        | Calibration Failure .....  | 56        |
| 7.1.1      | Contacting Conductivity Sensors.....   | 56        |
| 7.1.2      | Electrodeless Conductivity Sensors .....   | 56        |
| 7.1.3      | pH Sensors .....   | 57        |
| 7.1.4      | ORP Sensors.....   | 57        |
| 7.1.5      | Disinfection Sensors .....   | 57        |
| 7.2        | Alarm Messages.....  | 58        |
| <b>8.0</b> | <b>SERVICE POLICY .....</b>  | <b>61</b> |
| <b>9.0</b> | <b>SPARE PARTS IDENTIFICATION.....</b>   | <b>62</b> |

# 1.0 INTRODUCTION

---

The Walchem W100 Series controllers offer a high level of flexibility in controlling water treatment applications.

One sensor input is available that are compatible with a variety of sensors:

- Contacting conductivity with cell constant 0.01, 0.1, 1.0 or 10.0

- Electrodeless conductivity

- pH

- ORP

- Any Walchem disinfection sensor

- Generic sensor (Ion Selective Electrodes or any type of sensor with a linear voltage output between -2 VDC and 2 VDC)

Two digital inputs may be used for a variety of purposes:

- State type: Flow switch or other Interlock to stop control, or drum level switch

- Water meter contactor: To control a relay to feed a chemical based on flow total

- Paddlewheel flowmeter: To control based on flow total or flow rate

Three relay outputs may be set to a variety of control modes:

- On/Off set point control

- Time Proportional control

- Pulse Proportional (when purchased with Pulse solid state opto outputs)

- PID Control (when purchased with Pulse solid state opto outputs)

- Activate with a contact closure

- Timed activation triggered by a Water Contactor or Paddlewheel flow meter's accumulated total flow

- Activate with another output

- Daily, Weekly, 2-week or 4-week timers

- Dual Set Point control (In-Range and Out-of-Range)

- Probe Wash timer

- Diagnostic Alarm triggered by:

  - High or Low sensor reading

  - No Flow

  - Relay output timeout

  - Sensor error

An optional isolated analog output may be included to retransmit sensor input signals to a chart recorder, data logger, PLC or other device. It may also be connected to valves, actuators or metering pumps for linear proportional or PID control.

Our unique USB feature provides the ability to upgrade the software in the controller to the latest version.

## 2.0 SPECIFICATIONS

### 2.1 Measurement Performance

|  |  |                  |                             |
|--|--|------------------|-----------------------------|
| <b>0.01 Cell Contacting Conductivity</b>       |  |                  |                             |
| Range  | 0-300 $\mu\text{S/cm}$   |                  |                             |
| Resolution                                     | 0.01 $\mu\text{S/cm}$ , 0.0001 mS/cm, 0.001 mS/m, 0.0001 S/m, 0.01 ppm |                  |                             |
| Accuracy                                       | $\pm 1\%$ of reading or 0.01 $\mu\text{S/cm}$ , whichever is greater   |                  |                             |
| <b>0.1 Cell Contacting Conductivity</b>        |  |                  |                             |
| Range  | 0-3,000 $\mu\text{S/cm}$   |                  |                             |
| Resolution                                     | 0.1 $\mu\text{S/cm}$ , 0.0001 mS/cm, 0.01 mS/m, 0.0001 S/m, 0.1 ppm    |                  |                             |
| Accuracy                                       | $\pm 1\%$ of Reading or 0.1 $\mu\text{S/cm}$ , whichever is greater    |                  |                             |
| <b>1.0 Cell Contacting Conductivity</b>        |  |                  |                             |
| Range  | 0-30,000 $\mu\text{S/cm}$  |                  |                             |
| Resolution                                     | 1 $\mu\text{S/cm}$ , 0.001 mS/cm, 0.1 mS/m, 0.0001 S/m, 1 ppm          |                  |                             |
| Accuracy                                       | $\pm 1\%$ of Reading or 1 $\mu\text{S/cm}$ , whichever is greater      |                  |                             |
| <b>10.0 Cell Contacting Conductivity</b>       |  |                  |                             |
| Range  | 0-300,000 $\mu\text{S/cm}$   |                  |                             |
| Resolution                                     | 10 $\mu\text{S/cm}$ , 0.01 mS/cm, 1 mS/m, 0.001 S/m, 10 ppm            |                  |                             |
| Accuracy                                       | $\pm 1\%$ of Reading or 10 $\mu\text{S/cm}$ , whichever is greater     |                  |                             |
| <b>pH</b>                                      |  | <b>ORP/ISE</b>   |                             |
| Range  | -2 to 16 pH units  | Range            | -1500 to 1500 mV            |
| Resolution                                     | 0.01 pH units  | Resolution       | 0.1 mV                      |
| Accuracy                                       | $\pm 0.01\%$ of reading  | Accuracy         | $\pm 1$ mV                  |
| <b>Disinfection Sensors</b>                    |  |                  |                             |
| Range (mV)                                     | -2000 to 1500 mV   | Range (ppm)      | 0-2 ppm to 0-20,000 ppm     |
| Resolution (mV)                                | 0.1 mV   | Resolution (ppm) | Varies with range and slope |
| Accuracy (mV)                                  | $\pm 1$ mV   | Accuracy (ppm)   | Varies with range and slope |
| <b>100<math>\Omega</math> RTD Temperature</b>  |  |                  |                             |
| Range  | 23 to 500°F (-5 to 260°C)  |                  |                             |
| Resolution                                     | 0.1°F (0.1°C)  |                  |                             |
| Accuracy                                       | $\pm 1\%$ of Reading or $\pm 1^\circ\text{C}$ , whichever is greater   |                  |                             |
| <b>1000<math>\Omega</math> RTD Temperature</b> |  |                  |                             |
| Range  | 23 to 500°F (-5 to 260°C)  |                  |                             |
| Resolution                                     | 0.1°F (0.1°C)  |                  |                             |
| Accuracy                                       | $\pm 1\%$ of Reading or $\pm 0.3^\circ\text{C}$ (whichever is greater) |                  |                             |
| <b>10k or 100k Thermistor Temperature</b>      |  |                  |                             |
| Range  | 23 to 194°F (-5 to 90°C)   |                  |                             |

|                                   |   |                 |
|-----------------------------------|---|-----------------|
| Resolution                        | 0.1°F (0.1°C)                                     |                 |
| Accuracy                          | ± 1% of Reading or ± 0.3°C (whichever is greater) |                 |
| <b>Electrodeless Conductivity</b> |   |                 |
| <b>Ranges</b>                     | <b>Resolution</b>                                 | <b>Accuracy</b> |
| 500-12,000 µS/cm                  | 1 µS/cm, 0.01 mS/cm, 0.1 mS/m, 0.001 S/m, 1 ppm   | ± 1% of reading |
| 3,000-40,000 µS/cm                | 1 µS/cm, 0.01 mS/cm, 0.1 mS/m, 0.001 S/m, 1 ppm   | ± 1% of reading |
| 10,000-150,000 µS/cm              | 10 µS/cm, 0.1 mS/cm, 1 mS/m, 0.01 S/m, 10 ppm     | ± 1% of reading |
| 50,000-500,000 µS/cm              | 10 µS/cm, 0.1 mS/cm, 1 mS/m, 0.01 S/m, 10 ppm     | ± 1% of reading |
| 200,000-2,000,000 µS/cm           | 100 µS/cm, 0.1 mS/cm, 1 mS/m, 0.1 S/m, 100 ppm    | ± 1% of reading |

| Temperature °C | Range Multiplier |
|----------------|------------------|
| 0              | 181.3            |
| 10             | 139.9            |
| 15             | 124.2            |
| 20             | 111.1            |
| 25             | 100.0            |
| 30             | 90.6             |
| 35             | 82.5             |
| 40             | 75.5             |
| 50             | 64.3             |
| 60             | 55.6             |
| 70             | 48.9             |

| Temperature °C | Range Multiplier |
|----------------|------------------|
| 80             | 43.5             |
| 90             | 39.2             |
| 100            | 35.7             |
| 110            | 32.8             |
| 120            | 30.4             |
| 130            | 28.5             |
| 140            | 26.9             |
| 150            | 25.5             |
| 160            | 24.4             |
| 170            | 23.6             |
| 180            | 22.9             |

Note: Conductivity ranges on page 2 apply at 25°C. At higher temperatures, the range is reduced per the range multiplier chart.

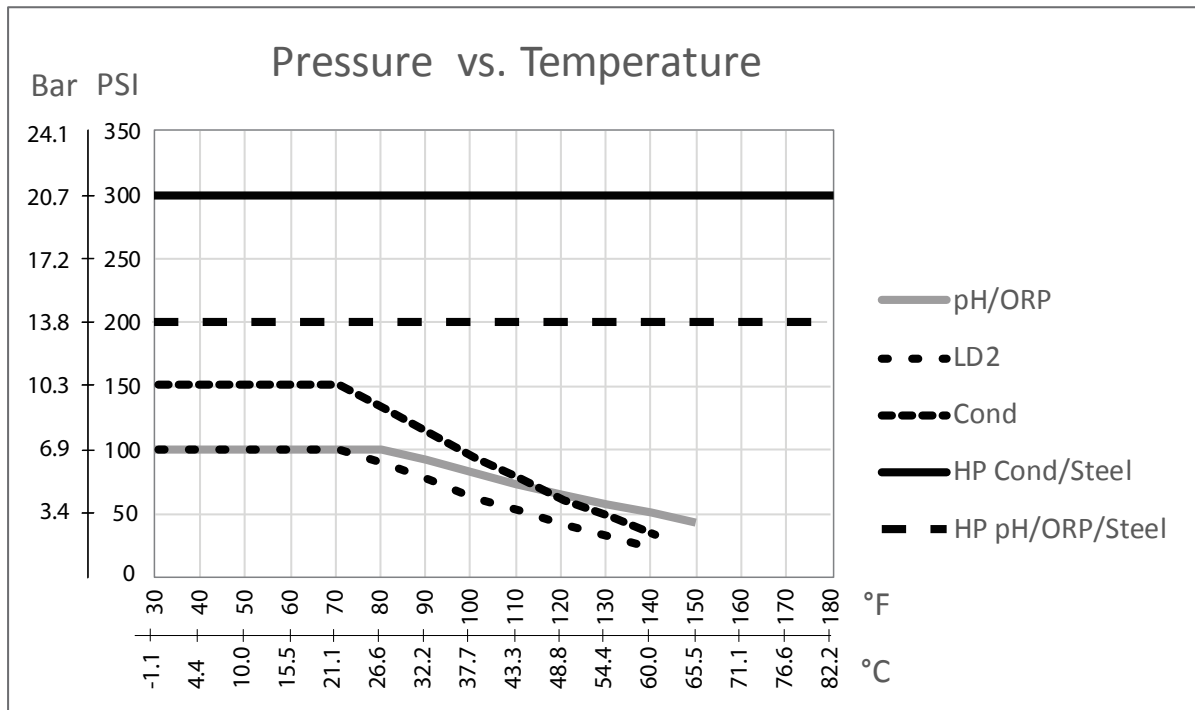
## 2.2 Electrical: Input/Output

|                                     |   |
|-------------------------------------|---|
| <b>Input Power</b>                  | 100 to 240 VAC +/- 10%, 50 or 60 Hz, 7 A maximum<br>Fuse: 6.3 A |
| <b>Input Signals</b>                |   |
| <b>WCNW models:</b>                 |   |
| <b>Contacting Conductivity</b>      | 0.01, 0.1, 1.0, or 10.0 cell constant OR                        |
| <b>Electrodeless Conductivity</b>   | OR  |
| <b>Disinfection</b>                 | OR  |
| <b>Amplified pH, ORP or ISE</b>     | OR  |
| <b>Generic</b>                      |   |
| <b>WPHNW and WPHBW models:</b>      |   |
| <b>Non-Amplified pH, ORP or ISE</b> |   |
| <b>WDSW and WPHPW models:</b>       |   |
| <b>Disinfection</b>                 | OR  |
| <b>Amplified pH, ORP or ISE</b>     | OR  |
| <b>Generic</b>                      |   |
| <b>Temperature</b>                  | 100 or 1000 ohm RTD, 10K or 100K Thermistor                     |

|   |  |
|---|--|
| <b>Digital Input Signals (2):</b>   |  |
| <b>State-Type Digital Inputs</b>  | Electrical: Optically isolated and providing an electrically isolated 9VDC power with a nominal 2.3mA current when the digital input switch is closed<br>Typical response time: < 2 seconds<br>Devices supported: Any isolated dry contact (i.e. relay, reed switch)<br>Types: Interlock   |
| <b>Low Speed Counter-Type Digital Inputs</b>                                  | Electrical: Optically isolated and providing an electrically isolated 9VDC power with a nominal 2.3mA current when the digital input switch is closed 0-10 Hz, 50 msec minimum width<br>Devices supported: Any device with isolated open drain, open collector, transistor or reed switch<br>Types: Contacting Flowmeter   |
| <b>High Speed Counter-Type Digital Inputs</b>                                 | Electrical: Minimum pulse frequency for the rate to be displayed: 0.17 Hz. Optically isolated and providing an electrically isolated 9VDC power with a nominal 2.3mA current when the digital input switch is closed, 0-500 Hz, 1.00 msec minimum width<br>Devices supported: Any device with isolated open drain, open collector, transistor or reed switch<br>Types: Paddlewheel Flowmeter |
| <b>Outputs</b>  |  |
| <b>Powered mechanical relays (0 or 3 depending on model code):</b>            | Pre-powered on circuit board switching line voltage  |
|   | 6 A (resistive), 1/8 HP (93 W) per relay   |
|   | All three relays are fused together as one group, total current for this group must not exceed 6A  |
| <b>Dry contact mechanical relays (0, 1 or 3 depending on model code):</b>     | 6 A (resistive), 1/8 HP (93 W) per relay   |
|   | Dry contact relays are not fuse protected  |
| <b>Pulse Outputs (0 or 2 depending on model code):</b>                        | Opto-isolated, Solid State Relay   |
|   | 200mA, 40 VDC Max.   |
|   | VLOWMAX = 0.05V @ 18 mA  |
|   | Accuracy (0-10 Hz): ± 0.5% of Pulse Rate, (10-20 Hz): ± 1.0%, (20-40 Hz): ± 2.0%   |
| <b>4 - 20 mA (0 or 1 depending on model code):</b>                            | Internally powered   |
|   | Fully isolated   |
|   | 600 Ohm max resistive load   |
|   | Resolution 0.0015% of span   |
| <b>Agency Approvals</b>   |  |
| Safety  | UL 61010-1:2012 3rd Ed + Rev:2016<br>CSA C22.2 No. 61010-1:2012 3rd Ed. + U1; U2<br>IEC 61010-1:2010 3rd Ed.<br>EN 61010-1:2010 3rd Ed.<br>BS EN 61010-1:2010 + A1:2019  |
| EMC   | IEC 61326-1:2012<br>EN 61326-1:2013<br>BS EN 61326-1:2013  |
| Note: For EN61000-4-6, EN61000-4-3 the controller met performance criteria B. |  |

## Mechanical (Sensors) (\*see graph)

| Sensor                                  | Pressure   | Temperature   | Materials   | Process Connections                           |
|---|--|---|---|---|
| Electrodeless conductivity              | 0-150 psi (0-10 bar)*  | CPVC: 20-180°F (-5 to 80°C)*<br>PEEK: 20-190°F (-5 to 88°C) | CPVC, FKM in-line o-ring<br>PEEK, 316 SS in-line adapter          | 1" NPTM submersion<br>2" NPTM in-line adapter |
| pH                                      | 0-100 psi (0-7 bar)*   | 50-158°F (10-70°C)*   | CPVC, Glass, FKM o-rings, HDPE, Titanium rod, glass-filled PP tee | 1" NPTM submersion                            |
| ORP                                     | 0-100 psi (0-7 bar)*   | 32-158°F (0-70°C)*  |   | 3/4" NPTF in-line tee                         |
| Contacting conductivity                 | 0-200 psi (0-14 bar)   | 32-248°F (0-120°C)  | 316SS, PEEK   | 3/4" NPTM                                     |
| Free Chlorine/Bromine                   | 0-14.7 psi (0-1 bar)   | 32-113°F (0-45°C)   |   |   |
| Extended pH Range Free Chlorine/Bromine | 0-14.7 psi (0-1 bar)   | 32-113°F (0-45°C)   |   |   |
| Total Chlorine                          | 0-14.7 psi (0-1 bar)   | 32-113°F (0-45°C)   | PVC, Polycarbonate, silicone rubber, SS, PEEK, FKM, Isoplast      | 1/4" NPTF Inlet                               |
| Chlorine Dioxide                        | 0-14.7 psi (0-1 bar)   | 32-131°F (0-55°C)   |   | 3/4" NPTF Outlet                              |
| Ozone                                   | 0-14.7 psi (0-1 bar)   | 32-131°F (0-55°C)   |   |   |
| Peracetic Acid                          | 0-14.7 psi (0-1 bar)   | 32-131°F (0-55°C)   |   |   |
| Hydrogen Peroxide                       | 0-14.7 psi (0-1 bar)   | 32-113°F (0-45°C)   |   |   |
| Flow switch manifold                    | 0-150 psi (0-10 bar) up to 100°F (38°C)*<br>0-50 psi (0-3 bar) at 140°F (60°C) | 32-140°F (0-60°C)*  | GFRPP, PVC, FKM, Isoplast   | 3/4" NPTF                                     |



\*Class A equipment: Equipment suitable for use in establishments other than domestic, and those directly connected to a low voltage (100-240 VAC) power supply network which supplies buildings used for domestic purposes.

## 2.3 Intended Use

The Walchem W100 Series is a microprocessor-based measuring and control instrument used to measure water quality parameters and other process variables in a wide range of water and wastewater treatment applications. Operating the instrument in any way other than as described in these instructions may compromise the safety and function of the measuring system and is therefore impermissible. Electrical connection work and maintenance work may only be carried out by qualified personnel. The manufacturer is not liable for damage caused by improper or non-designated use.

## 2.4 Mechanical

|                          |   |
|--------------------------|---|
| Enclosure Material       | Polycarbonate   |
| Enclosure Rating         | Certified to UL 50 and UL 50E Type 4X. IEC 60529 meets IP66.      |
| Environmental Conditions | Can be installed indoors and outdoors. Suitable for wet location. |
| Dimensions               | 8" x 8" x 3" (203 mm x 203 mm x 76 mm)                            |
| Display                  | 128 x 64 graphic backlit display                                  |
| Operating Ambient Temp   | -4 to 131 °F (-20 to 55 °C)                                       |
| Storage Temperature      | -4 – 176°F (-20 – 80°C)   |
| Humidity                 | 10 to 90% non-condensing  |
| Pollution Degree         | 2   |
| Overvoltage Category     | II  |
| Altitude                 | 2000 m (6560 ft) maximum  |

## 2.5 Variables and their Limits

|  | Low Limit               | High Limit               |
|--|-------------------------|--------------------------|
| <b>Sensor input settings</b>                             |                         |                          |
| Alarm limits   | Low end of sensor range | High end of sensor range |
| Alarm dead band  | Low end of sensor range | High end of sensor range |
| Cell constant (conductivity only)                        | 0.01                    | 10                       |
| Smoothing Factor   | 0%                      | 90%                      |
| Comp Factor (conductivity linear ATC only)               | 0%                      | 20%                      |
| Installation Factor (Electrodeless conductivity only)    | 0.5                     | 1.5                      |
| Cable length   | 0.1                     | 3,000                    |
| PPM conversion factor (conductivity only if units = PPM) | 0.001                   | 10.000                   |
| Default temperature                                      | -20                     | 500                      |
| Calibration Required Alarm                               | 0 days                  | 365 days                 |
| Sensor Slope   | -1,000,000              | 1,000,000                |
| Sensor Offset  | -1,000,000              | 1,000,000                |
| Low Range  | -1,000,000              | 1,000,000                |
| High Range   | -1,000,000              | 1,000,000                |
| <b>Flow meter input settings</b>                         |                         |                          |
| Totalizer alarm  | 0                       | 100,000,000              |
| Volume/contact for units of Gallons or Liters            | 1                       | 100,000                  |
| Volume/contact for units of m <sup>3</sup>               | 0.001                   | 1,000                    |

|  |                         |                                |
|--|-------------------------|--------------------------------|
| K Factor for units of Gallons or Liters                                  | 0.01                    | 10,000                         |
| K Factor for units of m <sup>3</sup>                                     | 1                       | 100,000                        |
| Paddlewheel rate alarm limits  | 0                       | High End of Sensor Range       |
| Paddlewheel rate alarm deadband  | 0                       | High End of Sensor Range       |
| Smoothing Factor   | 0%                      | 90%                            |
| Set Flow Total   | 0                       | 1,000,000,000                  |
| <b>Relay output settings</b>   |                         |                                |
| Output Limit Time  | 1 second                | 86,400 seconds (0 = unlimited) |
| Hand Time Limit  | 1 second                | 86,400 seconds (0 = unlimited) |
| Min Relay Cycle  | 0 seconds               | 300 seconds                    |
| Set Point  | Low end of sensor range | High end of sensor range       |
| Duty Cycle Period (On/Off, Dual Set Point modes)                         | 0:00 minutes            | 59:59 minues                   |
| Duty Cycle (On/Off, Dual Set point modes)                                | 0%                      | 100%                           |
| Dead Band  | Low end of sensor range | High end of sensor range       |
| Feed duration (Flow Timer mode)  | 0 seconds               | 86,400 seconds                 |
| Accumulator volume (Flow Timer mode)                                     | 0                       | 1,000,000                      |
| Feed Percentage (Bleed then Feed mode)                                   | 0%                      | 1000%                          |
| Feed Lockout Time Limit (Bleed & Feed, Bleed then Feed modes)            | 0 seconds               | 86,400 seconds                 |
| Prebleed to Conductivity (Biocide mode)                                  | 1 (0 = no prebleed)     | High end of sensor range       |
| Prebleed Time (Biocide mode)   | 0 seconds               | 86,400 seconds                 |
| Bleed Lockout(Biocide mode)  | 0 seconds               | 86,400 seconds                 |
| Event duration (Biocide, Timer modes)                                    | 0 seconds               | 86,400 seconds                 |
| Proportional band (Time, Pulse Proportional, Intermittent Sampling mode) | Low end of sensor range | High end of sensor range       |
| Sample period (Time Proportional mode)                                   | 10 seconds              | 3600 seconds                   |
| Sample Time (Intermittent Sampling mode)                                 | 0 seconds               | 3600 seconds                   |
| Hold Time (Probe Wash, Intermittent Sampling modes)                      | 0 seconds               | 3600 seconds                   |
| Maximum Blowdown (Intermittent Sampling mode)                            | 0 seconds               | 3600 seconds                   |
| Wait Time (Intermittent Sampling mode)                                   | 0 seconds               | 86,400 seconds                 |
| Max Rate (Pulse Proportional, Pulse PID modes)                           | 10 pulses/minute        | 2400 pulses/minute             |
| Minimum Output (Pulse Proportional, Pulse PID modes)                     | 0%                      | 100%                           |
| Maximum Output (Pulse Proportional, Pulse PID modes)                     | 0%                      | 100%                           |
| Gain (Pulse PID Standard mode)   | 0.001                   | 1000.000                       |
| Integral Time (Pulse PID Standard mode)                                  | 0.001 seconds           | 1000.000 seconds               |
| Derivative Time (Pulse PID Standard mode)                                | 0 seconds               | 1000.000 seconds               |
| Proportional Gain (Pulse PID Parallel mode)                              | 0.001                   | 1000.000                       |
| Integral Gain (Pulse PID Parallel mode)                                  | 0.001 /second           | 1000.000 /second               |
| Derivative Gain (Pulse PID Parallel mode)                                | 0 seconds               | 1000.000 seconds               |
| Input Minimum (Pulse PID modes)  | Low end of sensor range | High end of sensor range       |
| Input Maximum (Pulse PID modes)  | Low end of sensor range | High end of sensor range       |
| On Delay Time (Alarm mode)   | 0 seconds               | 23:59:59 HH:MM:SS              |
| Off Delay Time (Alarm mode)  | 0 seconds               | 23:59:59 HH:MM:SS              |
| <b>Analog (4-20 mA) output settings</b>                                  |                         |                                |
| 4 mA Value (Retransmit mode)   | Low end of sensor range | High end of sensor range       |
| 20 mA Value (Retransmit mode)  | Low end of sensor range | High end of sensor range       |

|  |                         |                                |
|--|-------------------------|--------------------------------|
| Hand Output  | 0%                      | 100%                           |
| Set Point (Proportional, PID modes)                          | Low end of sensor range | High end of sensor range       |
| Proportional Band (Proportional mode)                        | Low end of sensor range | High end of sensor range       |
| Minimum Output (Proportional, PID modes)                     | 0%                      | 100%                           |
| Maximum Output (Proportional, PID modes)                     | 0%                      | 100%                           |
| Off Mode Output (Proportional, PID modes, Flow Prop Modes)   | 0 mA                    | 21 mA                          |
| Error Output (not in Manual mode)                            | 0 mA                    | 21 mA                          |
| Hand Time Limit (not in Retransmit mode)                     | 1 second                | 86,400 seconds (0 = unlimited) |
| Output Time Limit (Proportional, PID modes, Flow Prop Modes) | 1 second                | 86,400 seconds (0 = unlimited) |
| Gain (PID, Standard mode)                                    | 0.001                   | 1000.000                       |
| Integral Time (PID Standard mode)                            | 0.001 seconds           | 1000.000 seconds               |
| Derivative Time (PID Standard mode)                          | 0 seconds               | 1000.000 seconds               |
| Proportional Gain (PID Parallel mode)                        | 0.001                   | 1000.000                       |
| Integral Gain (PID Parallel mode)                            | 0.001 /second           | 1000.000 /second               |
| Derivative Gain (PID Parallel mode)                          | 0 seconds               | 1000.000 seconds               |
| Input Minimum (PID modes)                                    | Low end of sensor range | High end of sensor range       |
| Input Maximum (PID modes)                                    | Low end of sensor range | High end of sensor range       |
| Pump Capacity (Flow Prop mode)                               | 0 gal/hour or l/hour    | 10,000 gal/hour or l/hour      |
| Pump Setting (Flow Prop mode)                                | 0%                      | 100%                           |
| Specific Gravity (Flow Prop mode)                            | 0 g/ml                  | 9.999 g/ml                     |
| Target (Flow Prop mode)                                      | 0 ppm                   | 1,000,000 pm                   |
|  |                         |                                |
| <b>Configuration Settings</b>                                |                         |                                |
| Local Password   | 0000                    | 9999                           |
| Alarm Delay  | 0:00 minutes            | 59:59 minutes                  |

## 3.0 UNPACKING & INSTALLATION

### 3.1 Unpacking the unit

Inspect the contents of the carton. Please notify the carrier immediately if there are any signs of damage to the controller or its parts. Contact your distributor if any of the parts are missing. The carton should contain a W100 series controller and an instruction manual. Any options or accessories will be incorporated as ordered.

### 3.2 Mounting the electronic enclosure

The controller is supplied with mounting holes on the enclosure. It should be wall mounted with the display at eye level, on a vibration-free surface, utilizing all four mounting holes for maximum stability. Do not install the enclosure in a location where it will be exposed to direct sunlight. Use M6 (1/4" diameter) fasteners that are appropriate for the substrate material of the wall. The enclosure is NEMA 4X (IP65) rated. The maximum operating ambient temperature is 131°F (55°C); this should be considered if installation is in a high temperature location. The enclosure requires the following clearances:

- Top: 2" (50 mm)
- Left: 8" (203 mm) (not applicable for prewired models)
- Right: 4" (102 mm)
- Bottom: 7" (178 mm)

### 3.3 Sensor Installation

Refer to the specific instructions supplied with the sensor being used, for detailed installation instructions.

#### General Guidelines

Locate the sensors where an active sample of water is available and where the sensors can easily be removed for cleaning. Position the sensor such that air bubbles will not be trapped within the sensing area. Position the sensor where sediment or oil will not accumulate within the sensing area.

##### In-Line Sensor Mounting

In-line mounted sensors must be situated so that the tee is always full and the sensors are never subjected to a drop in water level resulting in dryness. Refer to Figures 2 through 4 for typical installation.

Tap off the discharge side of the recirculation pump to provide a minimum flow of 1 gallon per minute through the flow switch manifold. The sample must flow into the bottom of the manifold in order to close the flow switch, and return to a point of lower pressure in order to ensure flow. Install an isolation valve on both sides of the manifold to stop flow for sensor maintenance.

**IMPORTANT:** To avoid cracking the female pipe threads on the supplied plumbing parts, use no more than 3 wraps of Teflon tape and thread in the pipe FINGER tight plus 1/2 turn! Do not use pipe dope to seal the threads of the flow switch because the clear plastic will crack!

##### Submersion Sensor Mounting

If the sensors are to be submersed in the process, mount them firmly to the tank, and protect the cable with plastic pipe, sealed at the top with a cable gland, to prevent premature failure. Place the sensors in an area of good solution movement.

Sensors should be located such that they respond rapidly to a well-mixed sample of the process water and the treatment chemicals. If they are too close to the chemical injection point, they will see spikes in concentration and cycle on and off too frequently. If they are too far away from the chemical injection point, they will respond too slowly to the concentration changes, and you will overshoot the set point.

The **contacting conductivity sensor** should be placed as close to the controller as possible, to a maximum distance of 250 ft. (76 m). Less than 25 ft. (8 m) is recommended. The cable must be shielded from background electrical noise. Always route low voltage (sensor) signals with at least a 6" (15 cm) separation from AC voltage wiring.






The **electrodeless conductivity sensor** should be placed as close to the controller as possible, to a maximum distance of 120 ft. (37 m). Less than 20 ft. (6m) is recommended. The cable must be shielded from background electrical noise. Always route low voltage (sensor) signals with at least a 6" (15 cm) separation from AC voltage wiring. These sensors are affected by the geometry and conductivity of their surroundings, so either maintain 6 inches (15 cm) of sample around the sensor or ensure that any nearby conductive or non-conductive items are consistently positioned. Do not install the sensor in the path of any electrical current that may be flowing in the solution, as this will shift the conductivity reading.

The **amplified pH/ORP/ISE electrode** should be placed as close to the controller as possible, to a maximum distance of 1000 feet (300 m) from the controller. A junction box and shielded cable are available to extend the standard 20 foot (6 m) length. pH and ORP electrodes must be installed such that the measuring surfaces will always remain wet. A U-trap provided in the manifold design should achieve this, even if the sample flow stops. These electrodes also must be installed with the measuring surfaces pointing down; that is 5 degrees above the horizontal, at a minimum. Non-amplified pH/ORP/ISE electrodes are only compatible with WPHNW or WPHBW models, and the coax cable should not be extended beyond 20 feet (6 m). The flow velocity past the sensor must be less than 10 ft./sec. (3 m/sec.).

The **disinfection sensor** should be placed as close to the controller as possible, to a maximum distance of 100 feet (30 m) from the controller. A junction box and shielded cable are available to extend the standard 20 foot (6 m) length. The sensor should be mounted such that the measuring surfaces will always stay wet. If the membrane dries out, it will respond slowly to changing disinfectant values for 24 hours, and if dried out repeatedly, will fail prematurely. The flow cell should be placed on the discharge side of a circulation pump or downhill from a gravity feed. Flow into the cell must come from the bottom side that has the 3/4" x 1/4" NPT reducing bushing installed. **The**

**reducing bushing provides the flow velocity required for accurate readings and must not be removed!** A “U” trap should be installed so that if the flow stops, the sensor is still immersed in the water. The outlet of the flow cell must be plumbed to open atmosphere unless the system pressure is at or below 1 atmosphere. If the flow through the line cannot be stopped to allow for cleaning and calibration of the sensor, then it should be placed in a by-pass line with isolation valves to allow for sensor removal. Install the sensor vertically, with the measuring surface pointing down, at least 5 degrees above horizontal. Flow rate regulation must be done upstream from the sensor, because any flow restriction downstream can increase the pressure above atmospheric and damage the membrane cap!

### 3.4 Icon Definitions

| Symbol  | Publication         | Description                     |
|---|---------------------|---------------------------------|
|  | IEC 417, No.5019    | Protective Conductor Terminal   |
|  | IEC 417, No. 5007   | On (Supply)                     |
|  | IEC 417, No. 5008   | Off (Supply)                    |
|  | ISO 3864, No. B.3.6 | Caution, risk of electric shock |
|  | ISO 3864, No. B.3.1 | Caution                         |

### 3.5 Electrical installation

The various standard wiring options are shown in figure 1, below. Your controller will arrive from the factory prewired or ready for hardwiring. Depending on your configuration of controller options, you may be required to hardwire some or all of the input/output devices. Refer to figures 5 through 15 for circuit board layout and wiring.

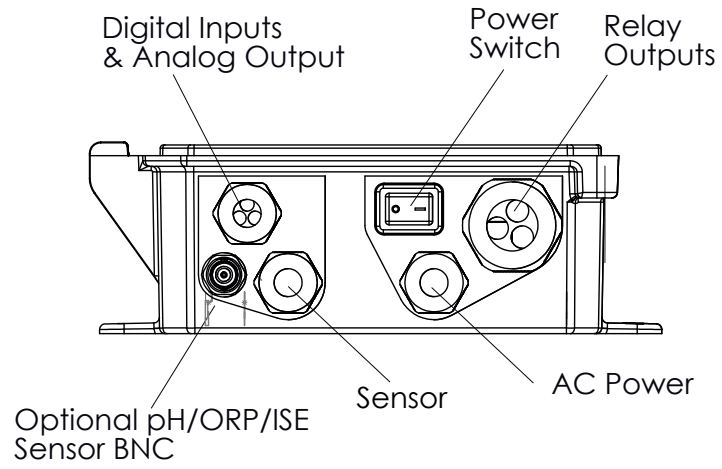
Note: when wiring the optional 4-20 mA output or a remote flow switch, it is advisable to use stranded, twisted, shielded pair wire between 22-26 AWG. Shield should be terminated at the controller (see figure 12).



## CAUTION



|    |  |
|----|--|
| 1. | There are live circuits inside the controller even when the power switch on the front panel is in the OFF position! The front panel must never be opened before power to the controller is REMOVED!<br>If your controller is prewired, it is supplied with a 8 foot, 18 AWG power cord with USA style plug. A tool (#1 Phillips driver) is required to open the front panel. |
| 2. | When mounting the controller, make sure there is clear access to the disconnecting device!   |
| 3. | The electrical installation of the controller must be done by trained personnel only and conform to all applicable National, State and Local codes!  |
| 4. | Proper grounding of this product is required. Any attempt to bypass the grounding will compromise the safety of persons and property.  |
| 5. | Operating this product in a manner not specified by Walchem may impair the protection provided by the equipment.   |



**Figure 1 Conduit Wiring**

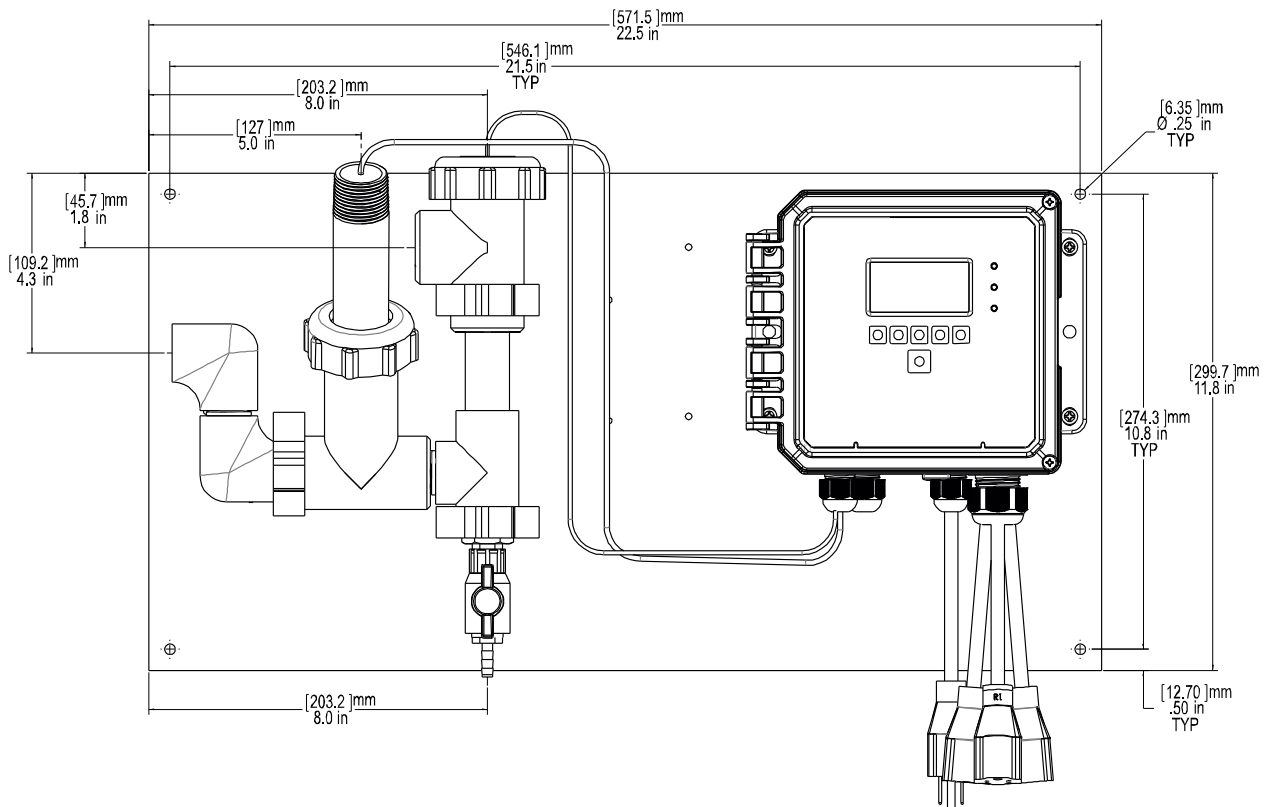
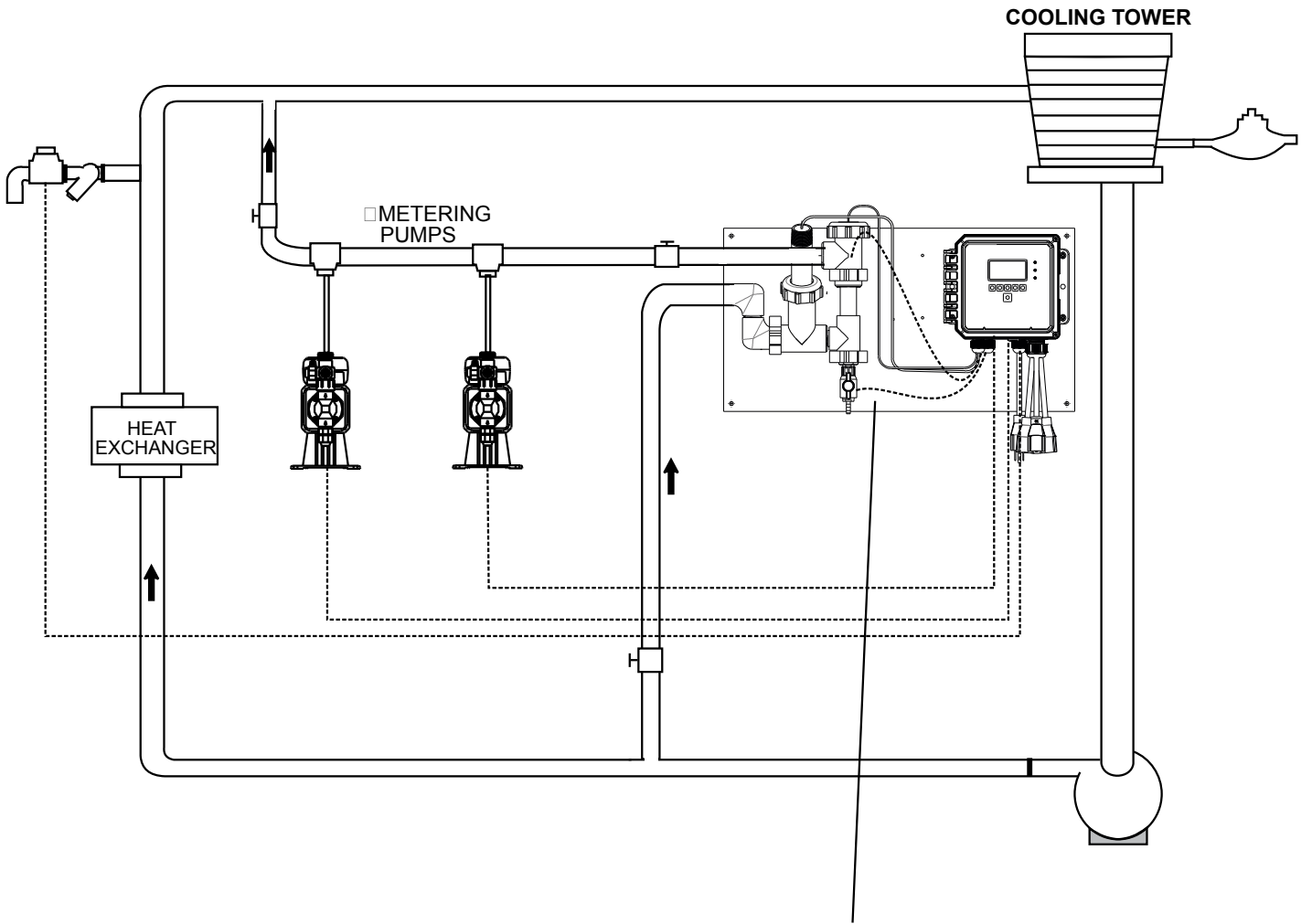
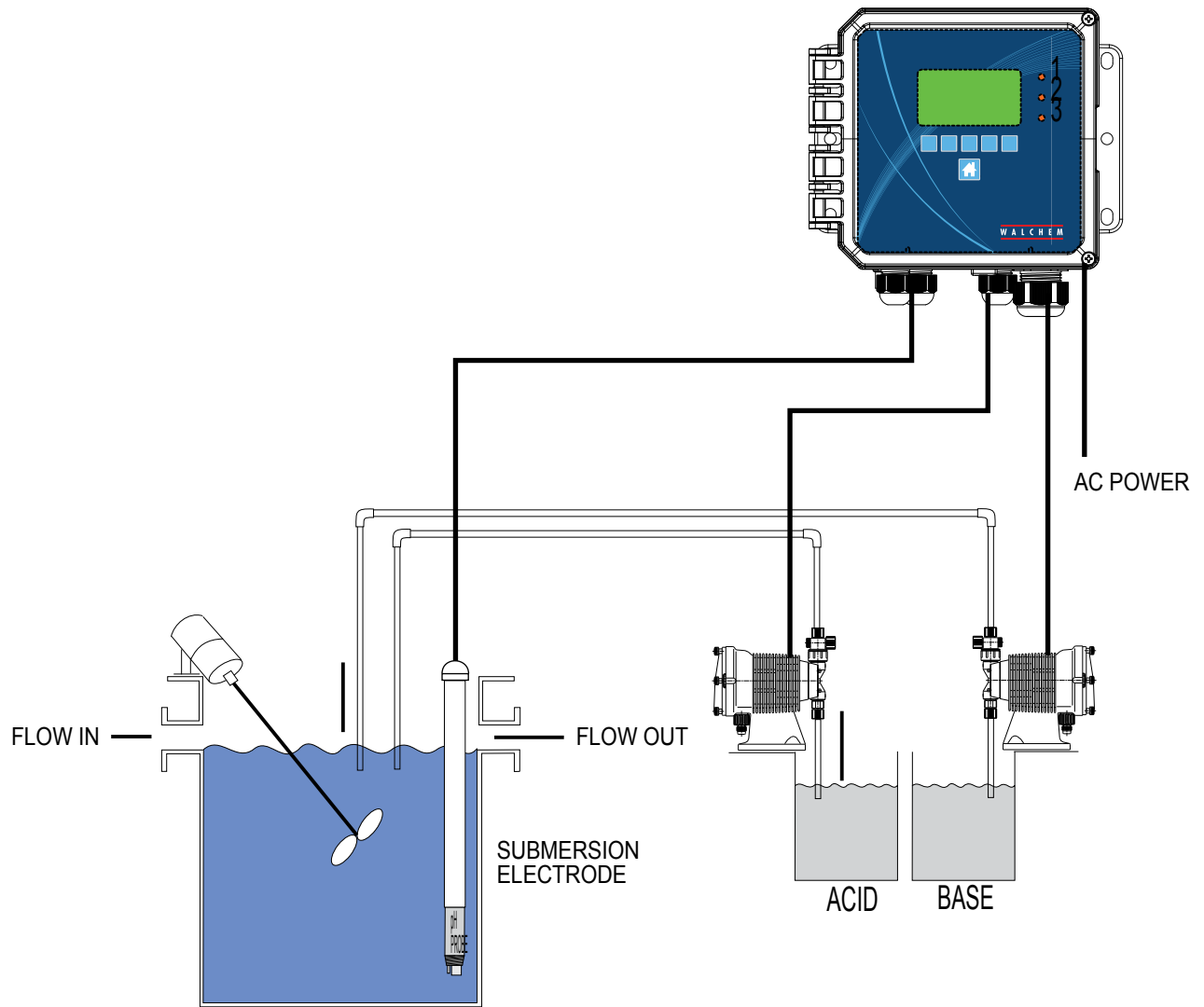
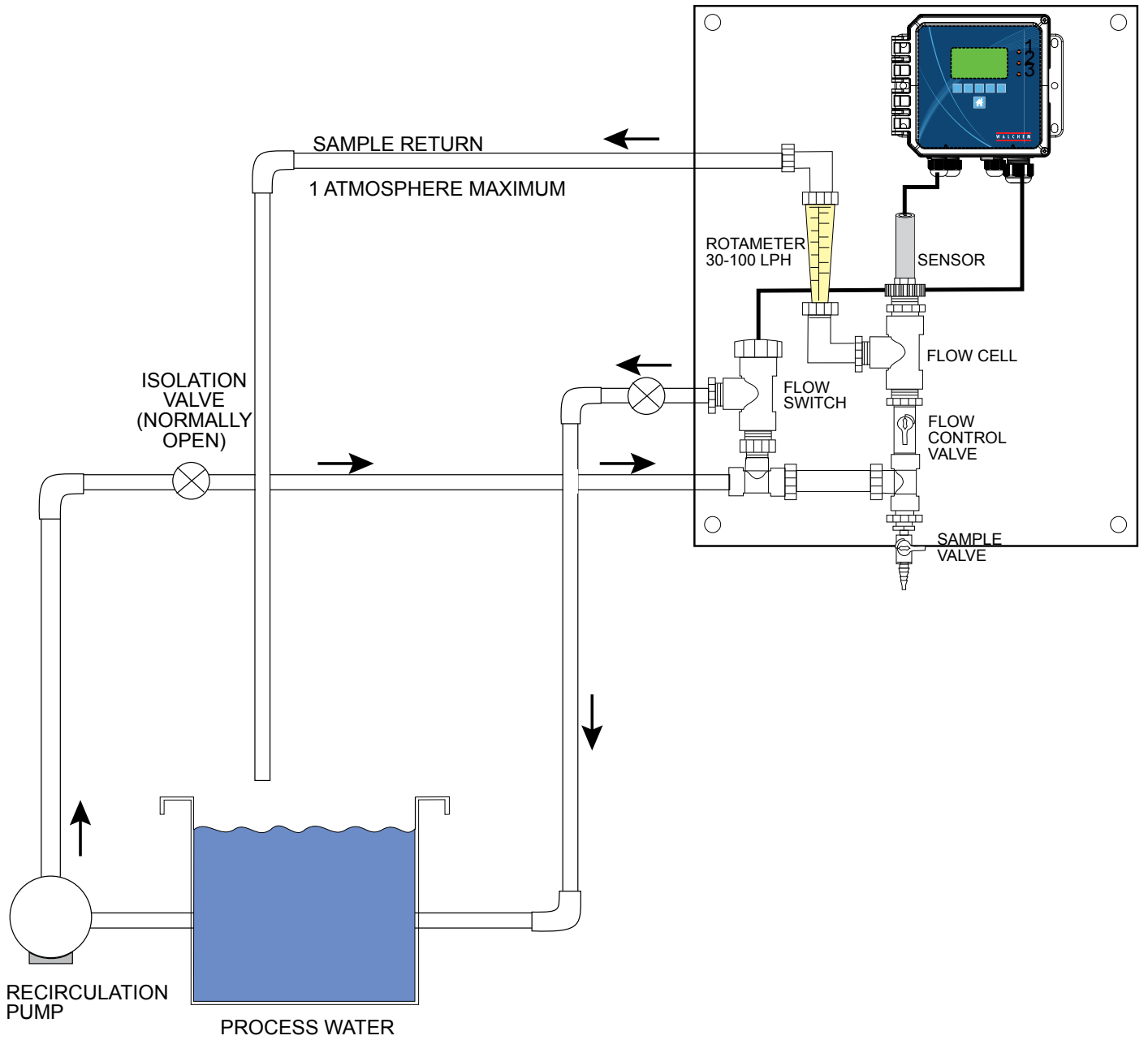


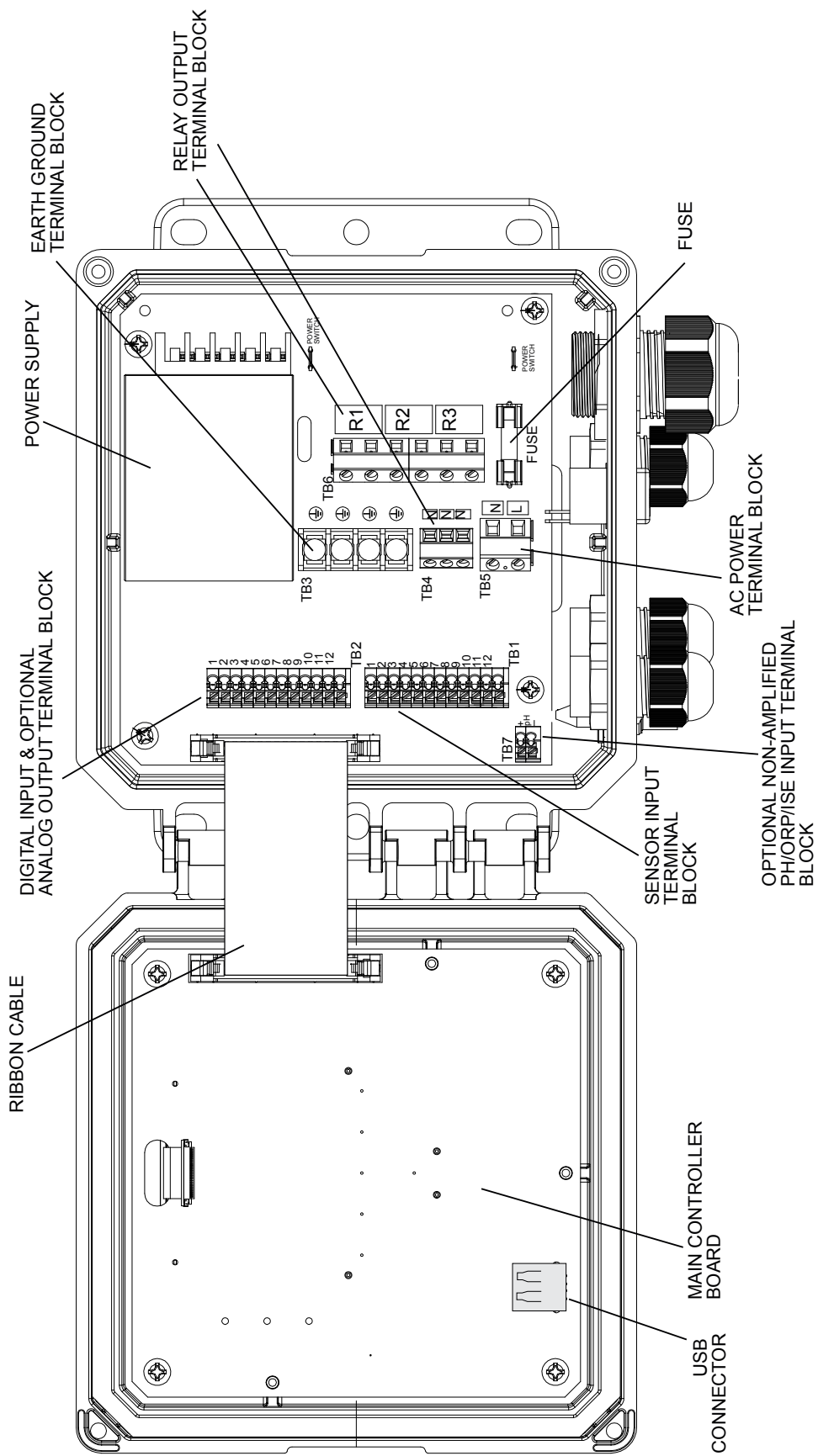
Figure 2 Typical Inline Sensor Installation



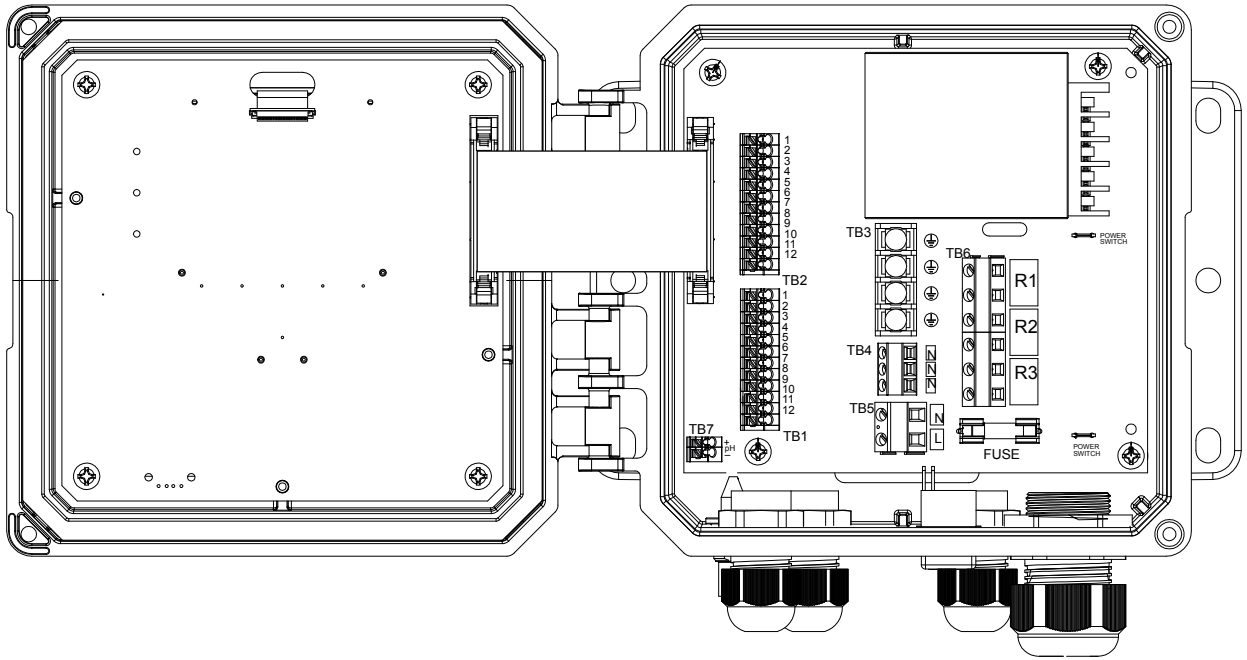
**Figure 3 Typical Submersion Sensor Installation**



**Figure 4 Typical Disinfection Sensor Installation**



**Figure 5 Identification of Parts**



| TB1 | ECOND  | CCOND  | pH/ORP<br>w/BNC                      | pH/ORP<br>DIS | TB2 | FUNCTION  |
|-----|--------|--------|--------------------------------------|---------------|-----|-----------|
| 1   | XMT+   | XMT    |                                      |               | 1   | 4-20 OUT- |
| 2   | XMT-   |        |                                      |               | 2   | 4-20 OUT+ |
| 3   | X-SHLD | SHIELD | SHIELD                               | SHIELD        | 3   | SHIELD    |
| 4   |        |        | USE<br>BNC<br>FOR<br>INPUT<br>SIGNAL | +5V           | 4   | DIG IN 2- |
| 5   | RCV-   |        |                                      |               | 5   | DIG IN 2+ |
| 6   | RCV+   |        |                                      |               | 6   | +9 VDC    |
| 7   |        | RCV    |                                      | IN+           | 7   | SHIELD    |
| 8   |        |        |                                      | -5V           | 8   | DIG IN 1- |
| 9   | TEMP-  | TEMP-  | TEMP-                                | TEMP-         | 9   | DIG IN 1+ |
| 10  | TEMP+  | TEMP+  | TEMP+                                | TEMP+         | 10  | +9 VDC    |
| 11  | R-SHLD |        |                                      | IN-           | 11  | SHIELD    |
| 12  |        |        |                                      |               | 12  |           |

SAFETY COVER LABEL

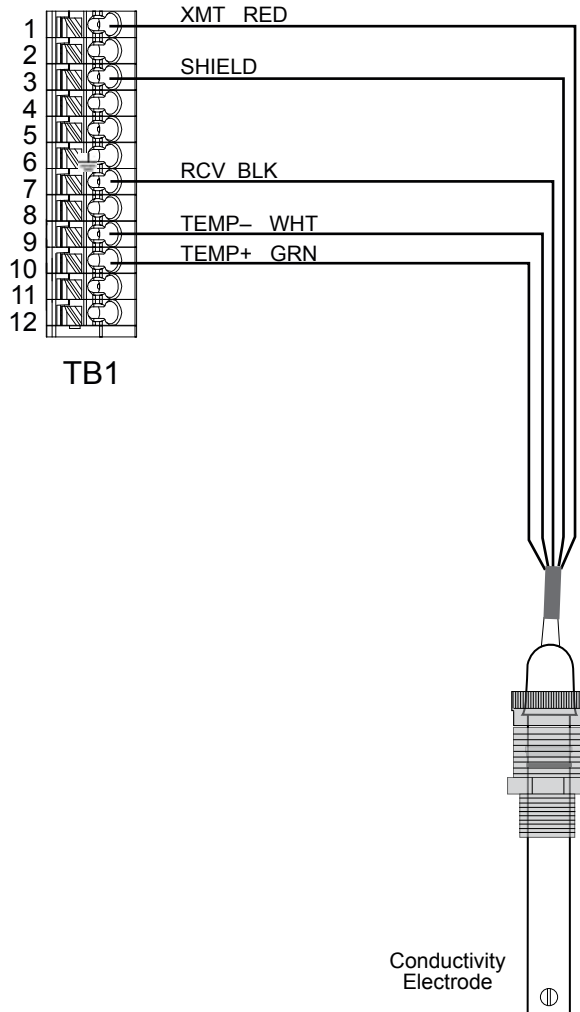
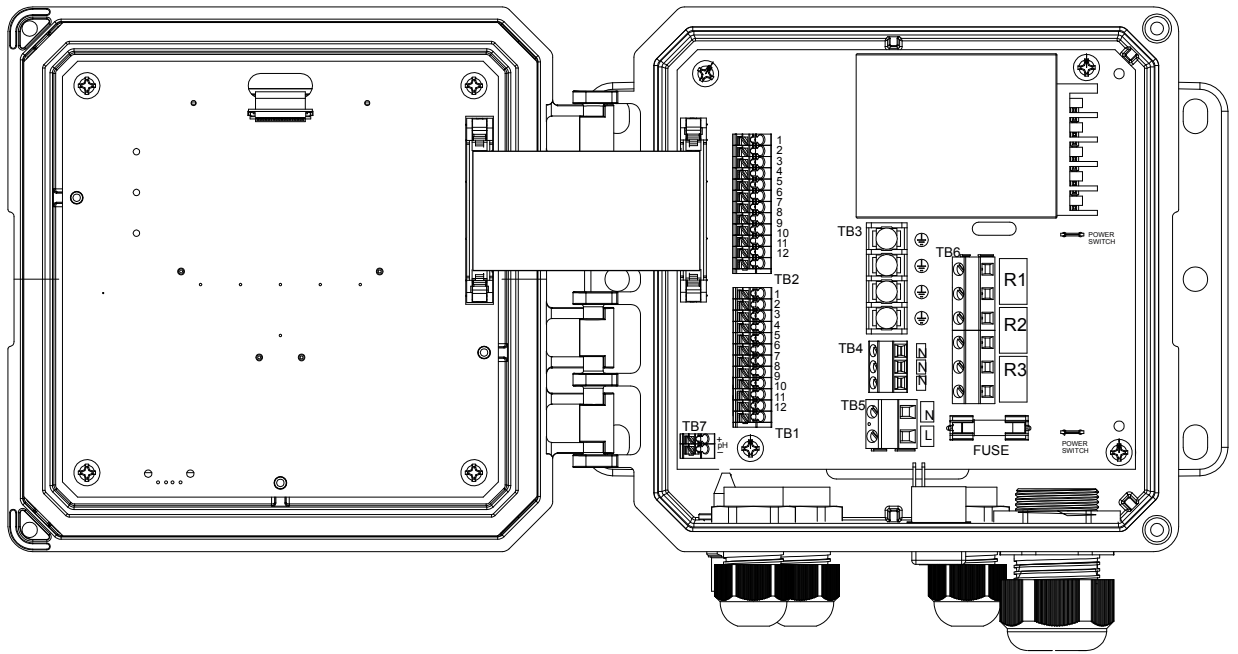
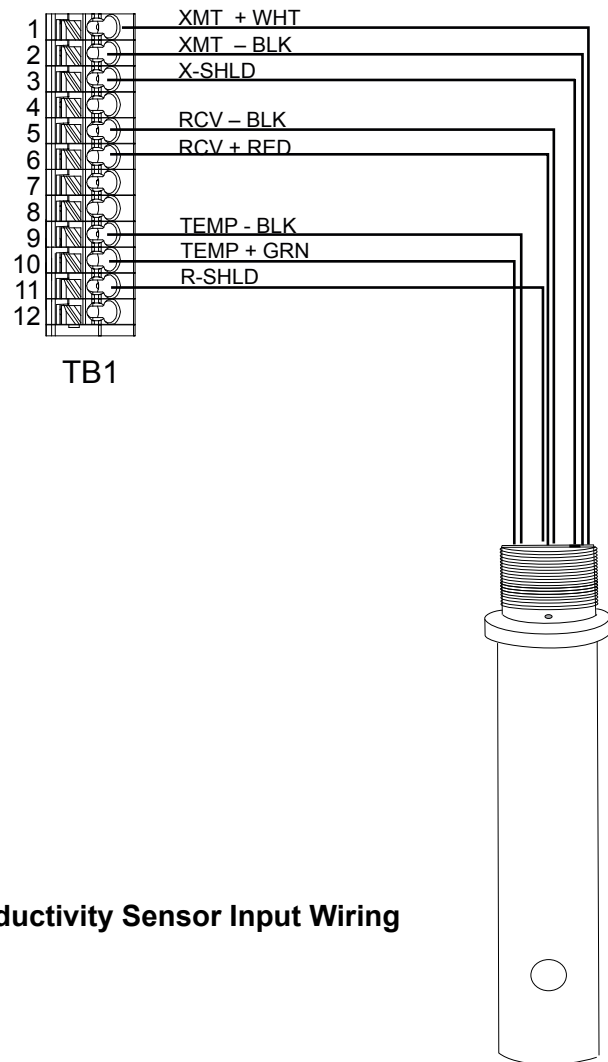


Figure 6 Contacting Conductivity Sensor Input Wiring



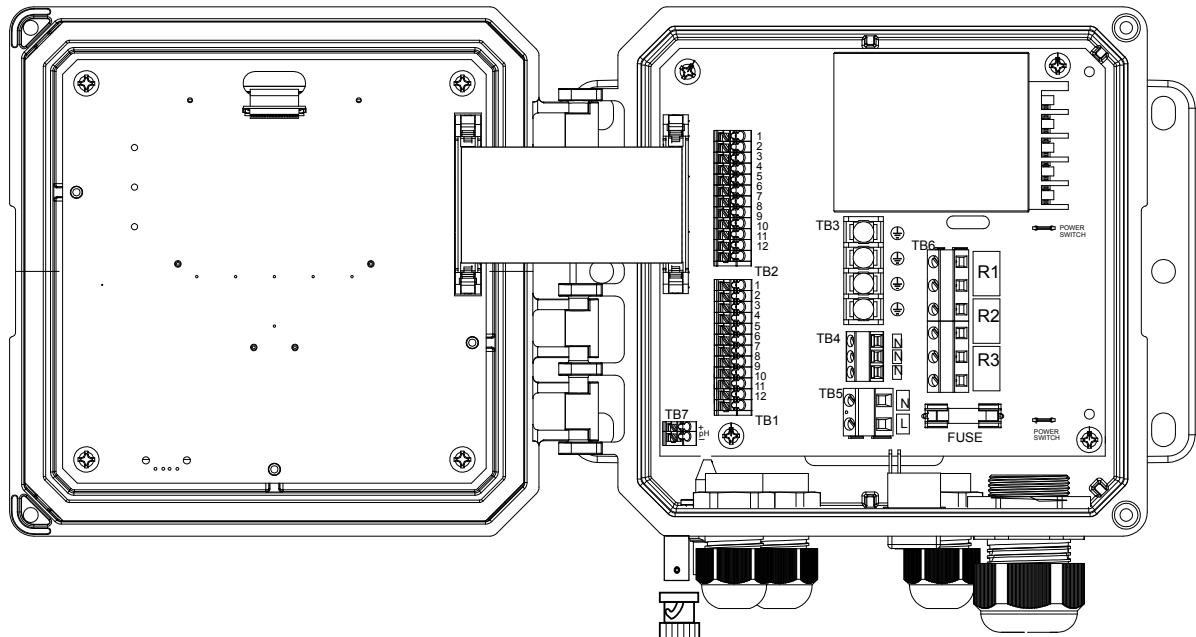
| TB1 | ECOND  | CCOND  | pH/ORP<br>w/BNC                      | pH/ORP<br>DIS | TB2 | FUNCTION  |
|-----|--------|--------|--------------------------------------|---------------|-----|-----------|
| 1   | XMT+   | XMT    |                                      |               | 1   | 4-20 OUT- |
| 2   | XMT-   |        |                                      |               | 2   | 4-20 OUT+ |
| 3   | X-SHLD | SHIELD | SHIELD                               | SHIELD        | 3   | SHIELD    |
| 4   |        |        | USE<br>BNC<br>FOR<br>INPUT<br>SIGNAL | +5V           | 4   | DIG IN 2- |
| 5   | RCV-   |        |                                      |               |     | 5         |
| 6   | RCV+   |        |                                      |               | 6   | +9 VDC    |
| 7   |        | RCV    |                                      | IN+           | 7   | SHIELD    |
| 8   |        |        |                                      | -5V           | 8   | DIG IN 1- |
| 9   | TEMP-  | TEMP-  | TEMP-                                | TEMP-         | 9   | DIG IN 1+ |
| 10  | TEMP+  | TEMP+  | TEMP+                                | TEMP+         | 10  | +9 VDC    |
| 11  | R-SHLD |        |                                      | IN-           | 11  | SHIELD    |
| 12  |        |        |                                      |               | 12  |           |

SAFETY COVER LABEL



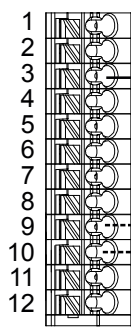
TB1

Figure 7 Electrodeless Conductivity Sensor Input Wiring



| TB1 | ECOND  | CCOND  | pH/ORP w/BNC                         | pH/ORP DIS | TB2 | FUNCTION  |
|-----|--------|--------|--------------------------------------|------------|-----|-----------|
| 1   | XMT+   | XMT    |                                      |            | 1   | 4-20 OUT- |
| 2   | XMT-   |        |                                      |            | 2   | 4-20 OUT+ |
| 3   | X-SHLD | SHIELD | SHIELD                               | SHIELD     | 3   | SHIELD    |
| 4   |        |        | USE<br>BNC<br>FOR<br>INPUT<br>SIGNAL | +5V        | 4   | DIG IN 2- |
| 5   | RCV-   |        |                                      |            | 5   | DIG IN 2+ |
| 6   | RCV+   |        |                                      |            | 6   | +9 VDC    |
| 7   |        | RCV    |                                      | IN+        | 7   | SHIELD    |
| 8   |        |        |                                      | -5V        | 8   | DIG IN 1- |
| 9   | TEMP-  | TEMP-  | TEMP-                                | TEMP-      | 9   | DIG IN 1+ |
| 10  | TEMP+  | TEMP+  | TEMP+                                | TEMP+      | 10  | +9 VDC    |
| 11  | R-SHLD |        |                                      | IN-        | 11  | SHIELD    |
| 12  |        |        |                                      |            | 12  |           |

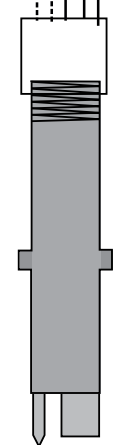
SAFETY COVER LABEL



TB1

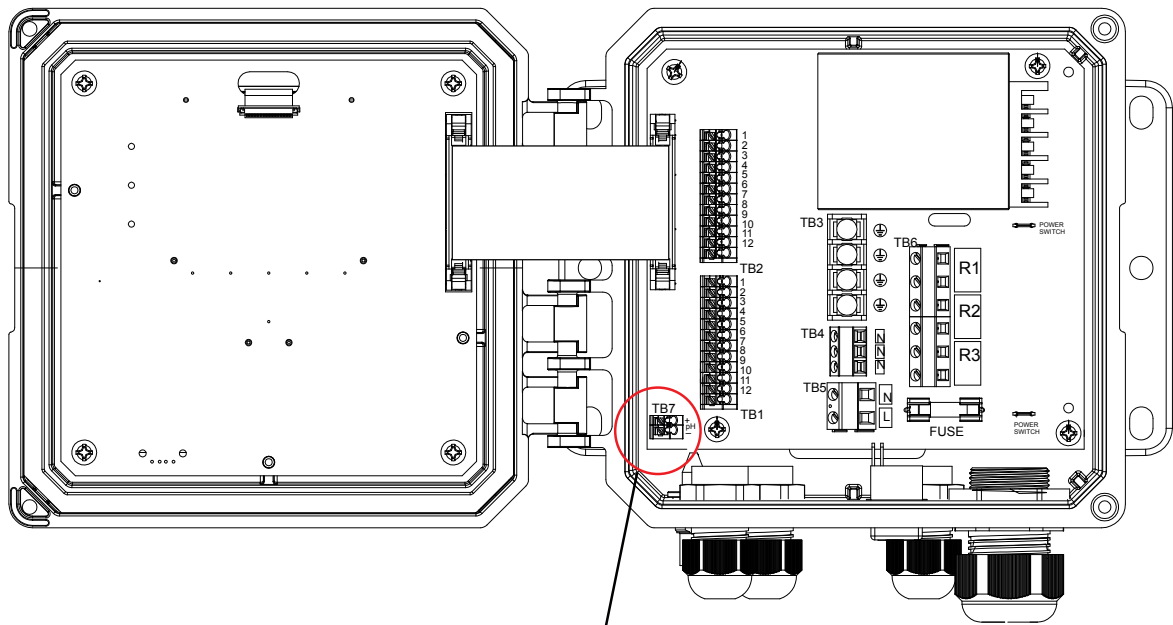
SHIELD

TEMP- Optional temperature compensation  
TEMP+



pH/ORP/ISE ELECTRODE

Figure 8 Non-Amplified pH/ORP/ISE Sensor Input Wiring with BNC



| TB1 | ECOND  | CCOND  | pH/ORP<br>w/BNC                      | pH/ORP<br>DIS | TB2 | FUNCTION  |
|-----|--------|--------|--------------------------------------|---------------|-----|-----------|
| 1   | XMT+   | XMT    |                                      |               | 1   | 4-20 OUT- |
| 2   | XMT-   |        |                                      |               | 2   | 4-20 OUT+ |
| 3   | X-SHLD | SHIELD | SHIELD                               | SHIELD        | 3   | SHIELD    |
| 4   |        |        | USE<br>BNC<br>FOR<br>INPUT<br>SIGNAL | +5V           | 4   | DIG IN 2- |
| 5   | RCV-   |        |                                      |               | 5   | DIG IN 2+ |
| 6   | RCV+   |        |                                      |               | 6   | +9 VDC    |
| 7   |        | RCV    |                                      | IN+           | 7   | SHIELD    |
| 8   |        |        |                                      | -5V           | 8   | DIG IN 1- |
| 9   | TEMP-  | TEMP-  | TEMP-                                | TEMP-         | 9   | DIG IN 1+ |
| 10  | TEMP+  | TEMP+  | TEMP+                                | TEMP+         | 10  | +9 VDC    |
| 11  | R-SHLD |        |                                      | IN-           | 11  | SHIELD    |
| 12  |        |        |                                      |               | 12  |           |

SAFETY COVER LABEL

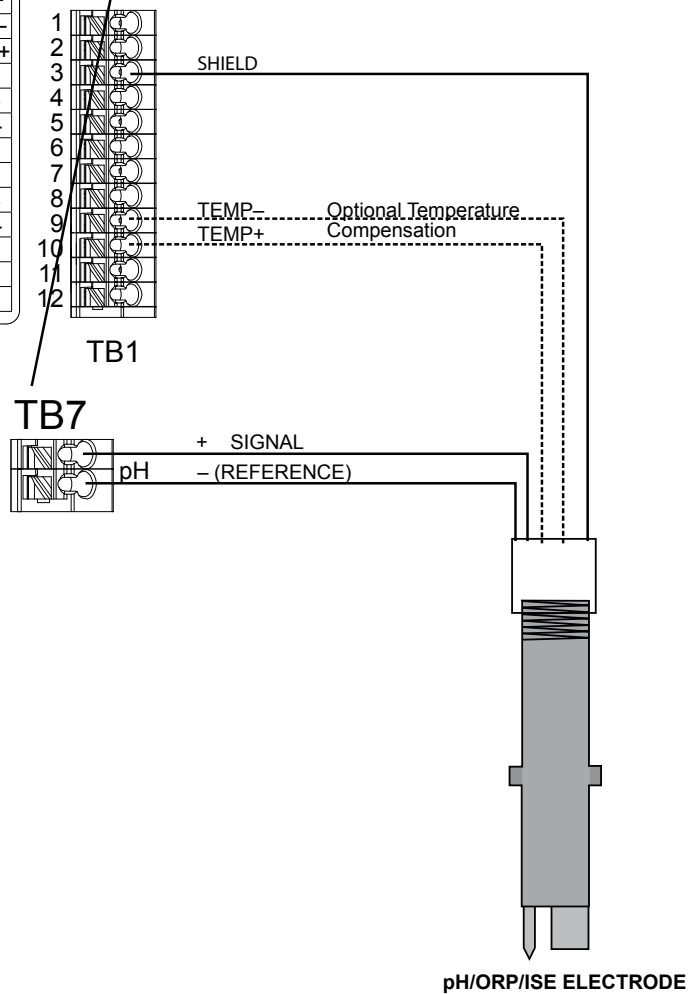
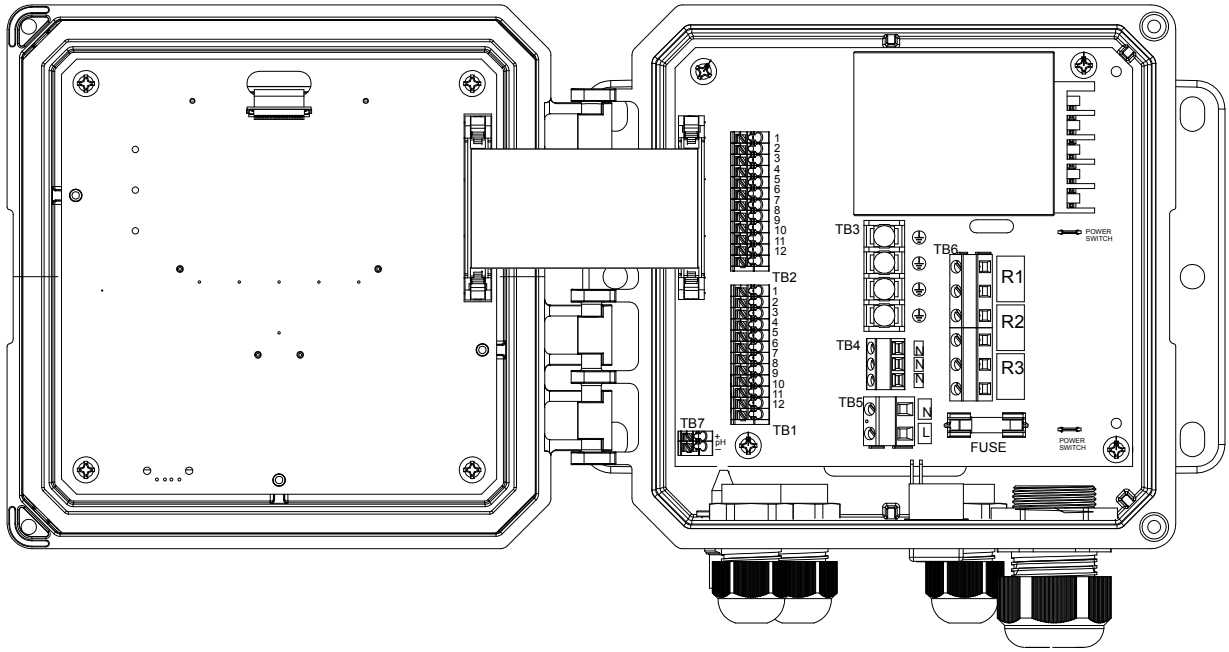


Figure 9 Non-Amplified pH/ORP/ISE Sensor Input Wiring



| TB1 | ECOND  | CCOND  | pH/ORP w/BNC             | pH/ORP DIS | TB2 | FUNCTION  |
|-----|--------|--------|--------------------------|------------|-----|-----------|
| 1   | XMT+   | XMT    |                          |            | 1   | 4-20 OUT- |
| 2   | XMT-   |        |                          |            | 2   | 4-20 OUT+ |
| 3   | X-SHLD | SHIELD | SHIELD                   | SHIELD     | 3   | SHIELD    |
| 4   |        |        | USE BNC FOR INPUT SIGNAL | +5V        | 4   | DIG IN 2- |
| 5   | RCV-   |        |                          |            |     | 5         |
| 6   | RCV+   |        |                          |            | 6   | +9 VDC    |
| 7   |        | RCV    |                          | IN+        | 7   | SHIELD    |
| 8   |        |        |                          | -5V        | 8   | DIG IN 1- |
| 9   | TEMP-  | TEMP-  | TEMP-                    | TEMP-      | 9   | DIG IN 1+ |
| 10  | TEMP+  | TEMP+  | TEMP+                    | TEMP+      | 10  | +9 VDC    |
| 11  | R-SHLD |        |                          | IN-        | 11  | SHIELD    |
| 12  |        |        |                          |            | 12  |           |

SAFETY COVER LABEL

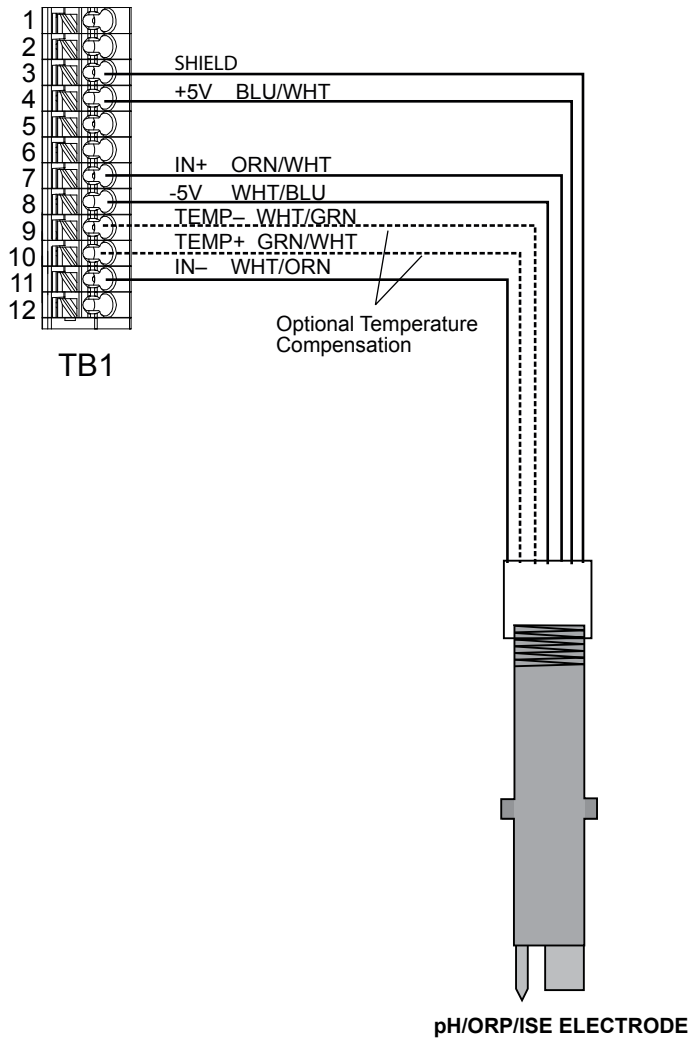
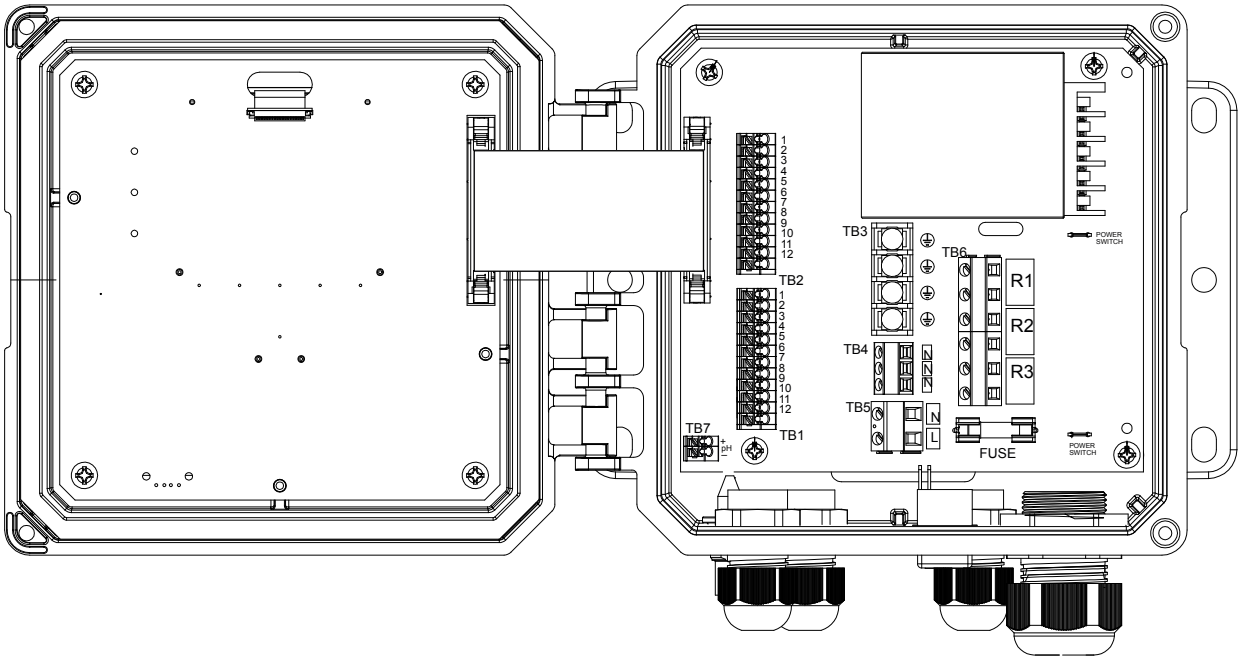


Figure 10 Amplified pH/ORP/ISE Sensor Input Wiring



| TB1 | ECOND  | CCOND  | pH/ORP<br>w/BNC                      | pH/ORP<br>DIS | TB2 | FUNCTION  |
|-----|--------|--------|--------------------------------------|---------------|-----|-----------|
| 1   | XMT+   | XMT    |                                      |               | 1   | 4-20 OUT- |
| 2   | XMT-   |        |                                      |               | 2   | 4-20 OUT+ |
| 3   | X-SHLD | SHIELD | SHIELD                               | SHIELD        | 3   | SHIELD    |
| 4   |        |        | USE<br>BNC<br>FOR<br>INPUT<br>SIGNAL | +5V           | 4   | DIG IN 2- |
| 5   | RCV-   |        |                                      | -5V           | 5   | DIG IN 2+ |
| 6   | RCV+   |        |                                      |               | 6   | +9 VDC    |
| 7   |        | RCV    |                                      | IN+           | 7   | SHIELD    |
| 8   |        |        |                                      | -5V           | 8   | DIG IN 1- |
| 9   | TEMP-  | TEMP-  | TEMP-                                | TEMP-         | 9   | DIG IN 1+ |
| 10  | TEMP+  | TEMP+  | TEMP+                                | TEMP+         | 10  | +9 VDC    |
| 11  | R-SHLD |        |                                      | IN-           | 11  | SHIELD    |
| 12  |        |        |                                      |               | 12  |           |

SAFETY COVER LABEL

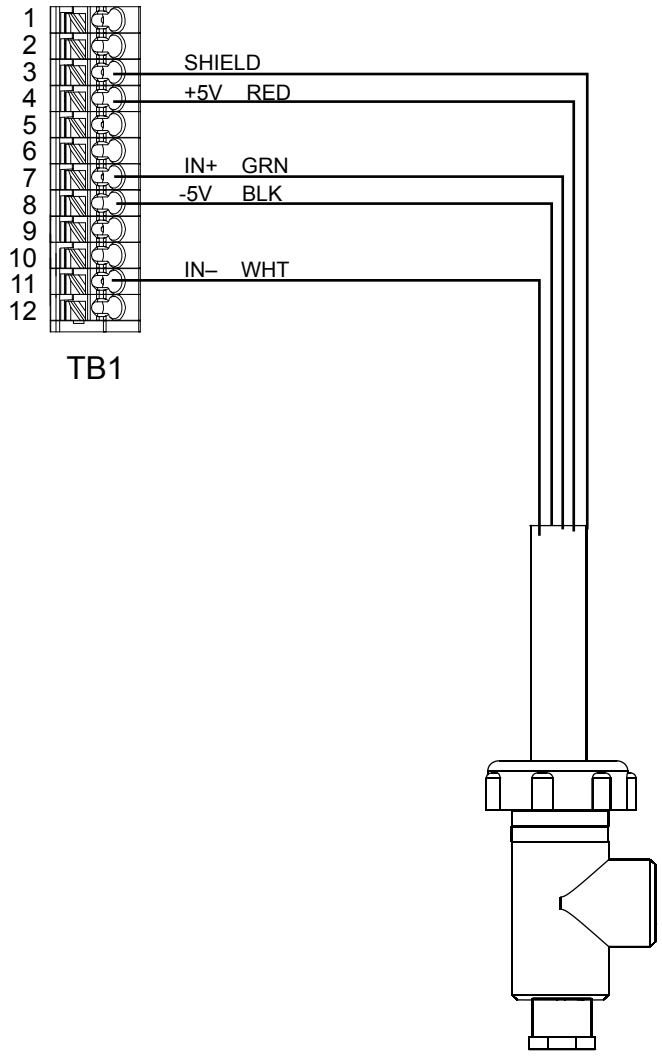
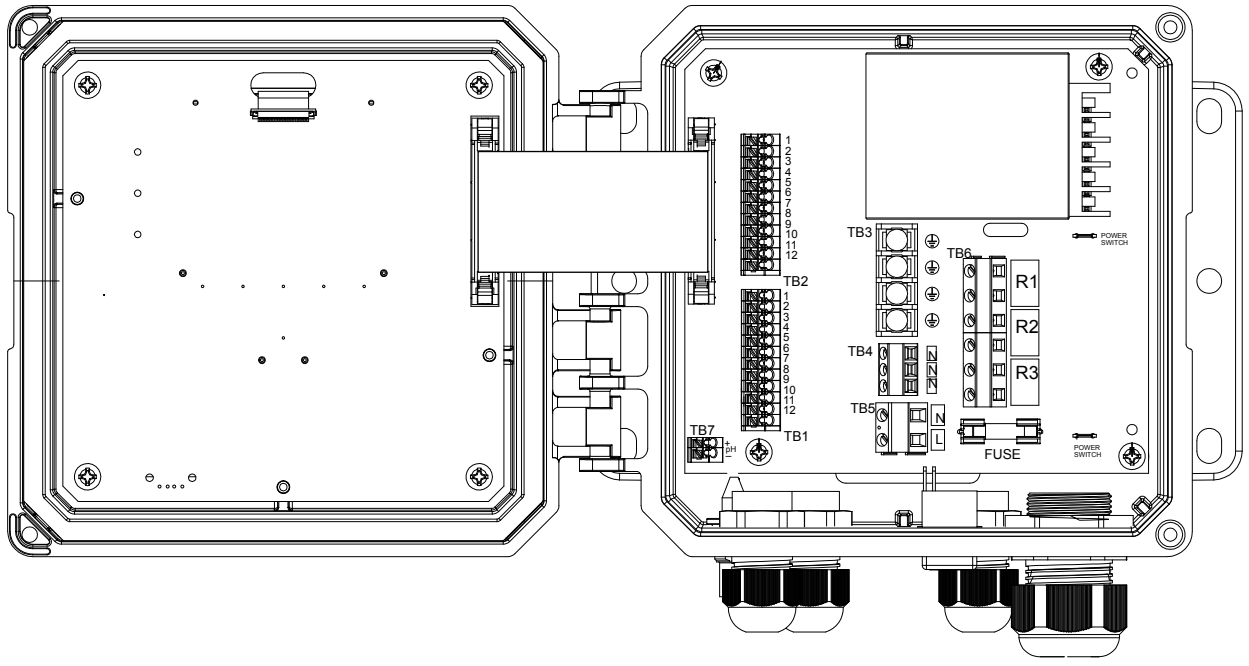


Figure 11 Disinfection/Generic Sensor Input Wiring



| TB1 | ECOND  | CCOND  | pH/ORP w/BNC             | pH/ORP DIS | TB2 | FUNCTION  |
|-----|--------|--------|--------------------------|------------|-----|-----------|
| 1   | XMT+   | XMT    |                          |            | 1   | 4-20 OUT- |
| 2   | XMT-   |        |                          |            | 2   | 4-20 OUT+ |
| 3   | X-SHLD | SHIELD | SHIELD                   | SHIELD     | 3   | SHIELD    |
| 4   |        |        | USE BNC FOR INPUT SIGNAL | +5V        | 4   | DIG IN 2- |
| 5   | RCV-   |        |                          | IN+        | 5   | DIG IN 2+ |
| 6   | RCV+   |        |                          | -5V        | 6   | +9 VDC    |
| 7   |        | RCV    |                          |            | 7   | SHIELD    |
| 8   |        |        |                          |            | 8   | DIG IN 1- |
| 9   | TEMP-  | TEMP-  | TEMP-                    | TEMP-      | 9   | DIG IN 1+ |
| 10  | TEMP+  | TEMP+  | TEMP+                    | TEMP+      | 10  | +9 VDC    |
| 11  | R-SHLD |        |                          |            | 11  | SHIELD    |
| 12  |        |        |                          |            | 12  |           |

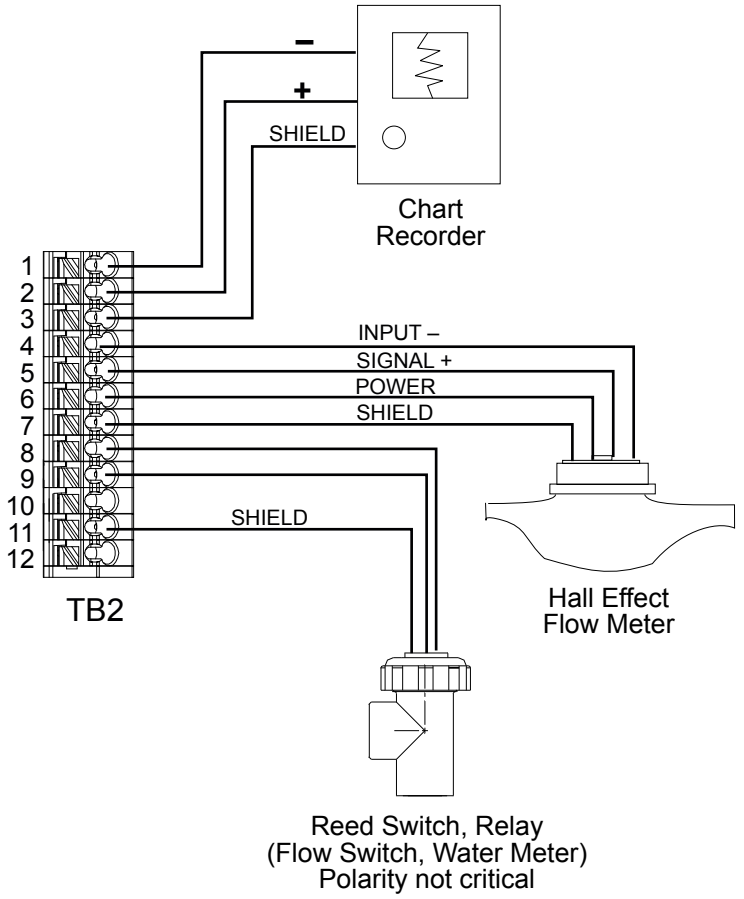


Figure 12 Digital Input /Analog Output Wiring

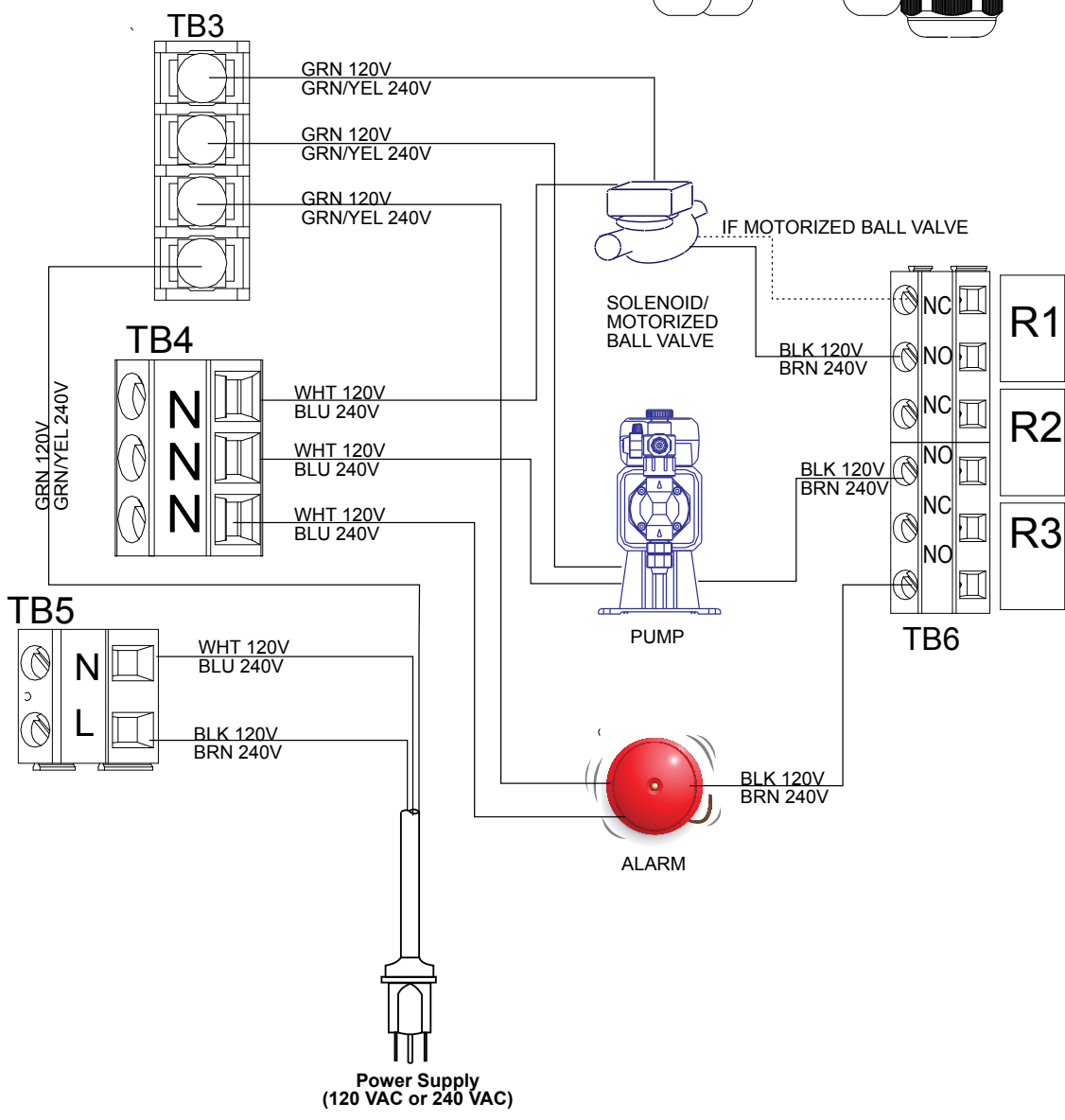
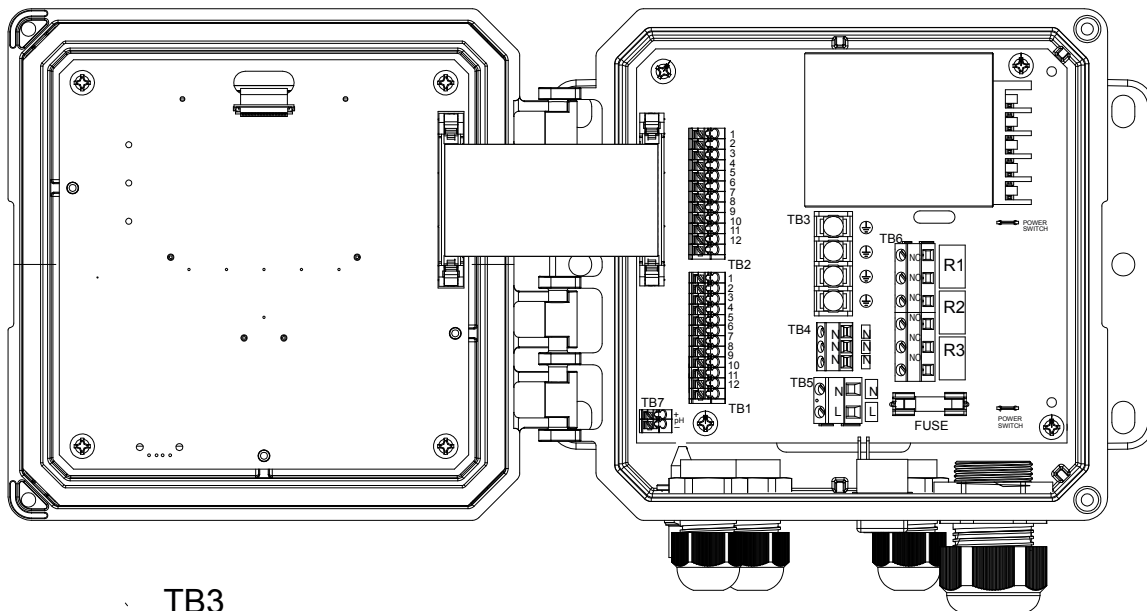
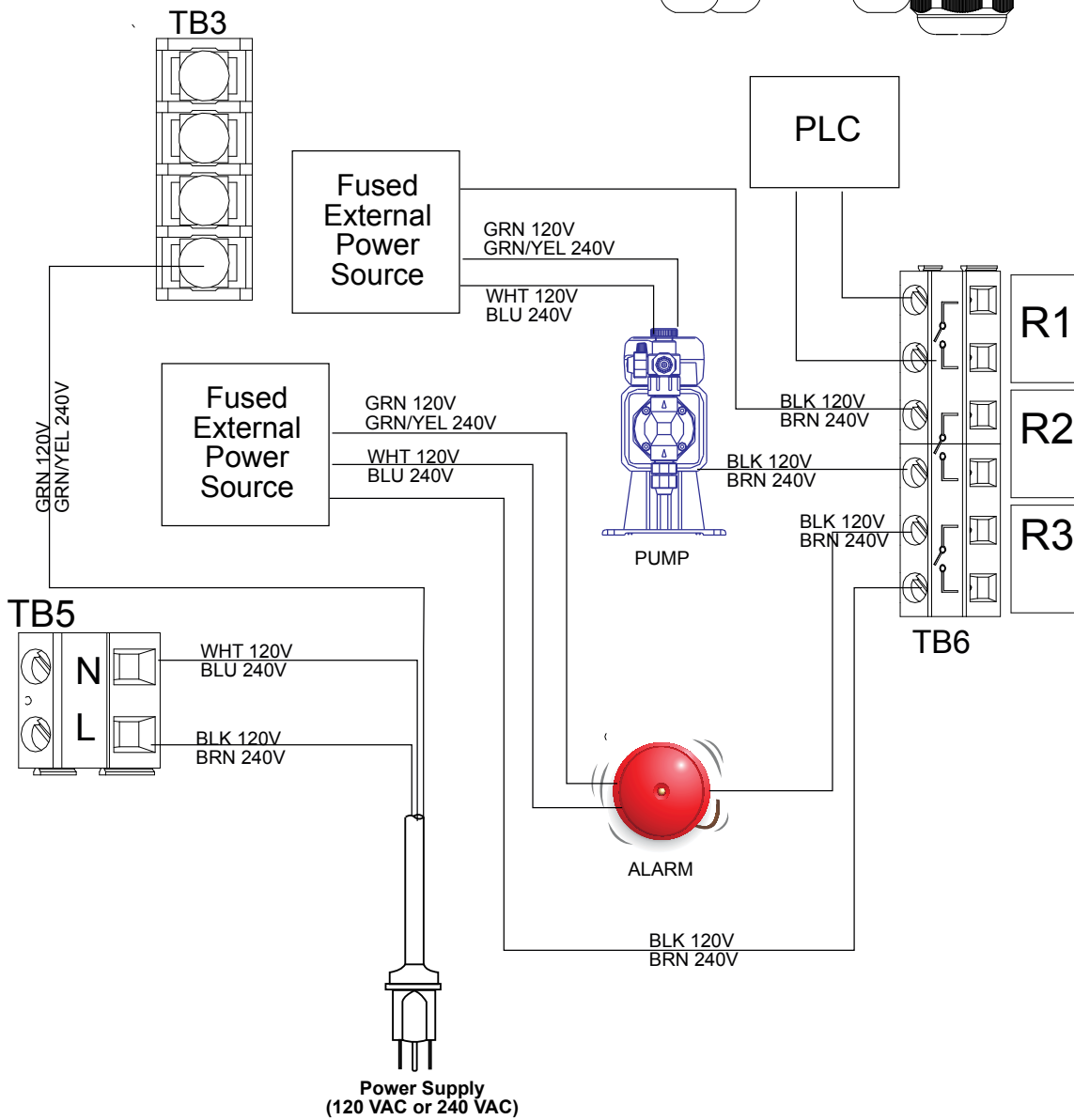
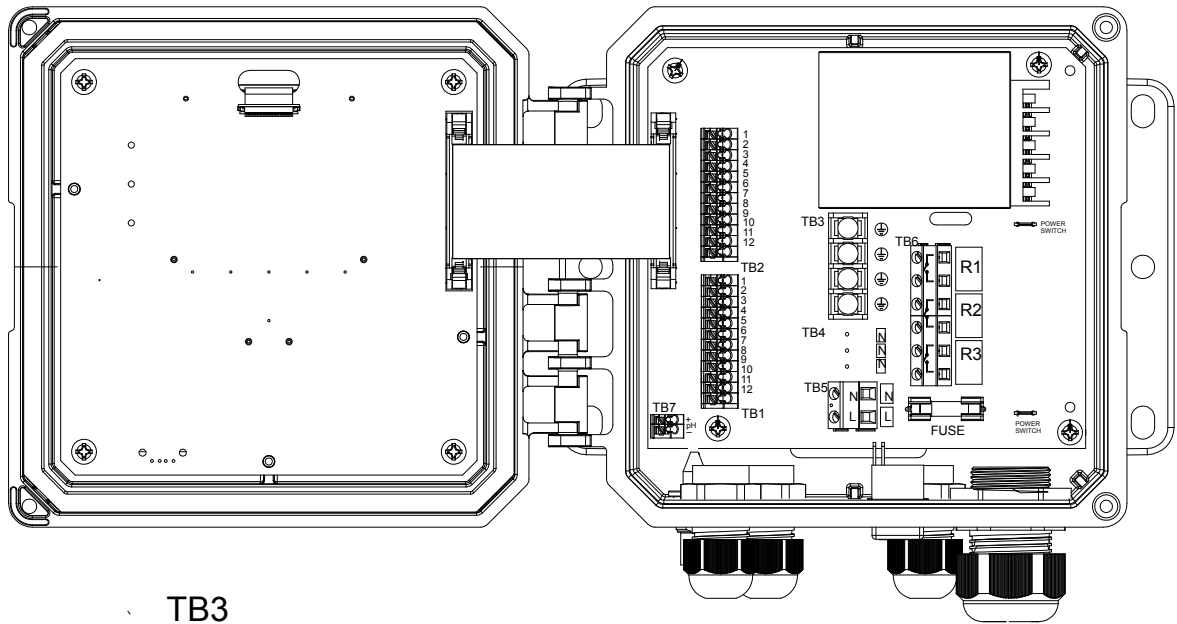
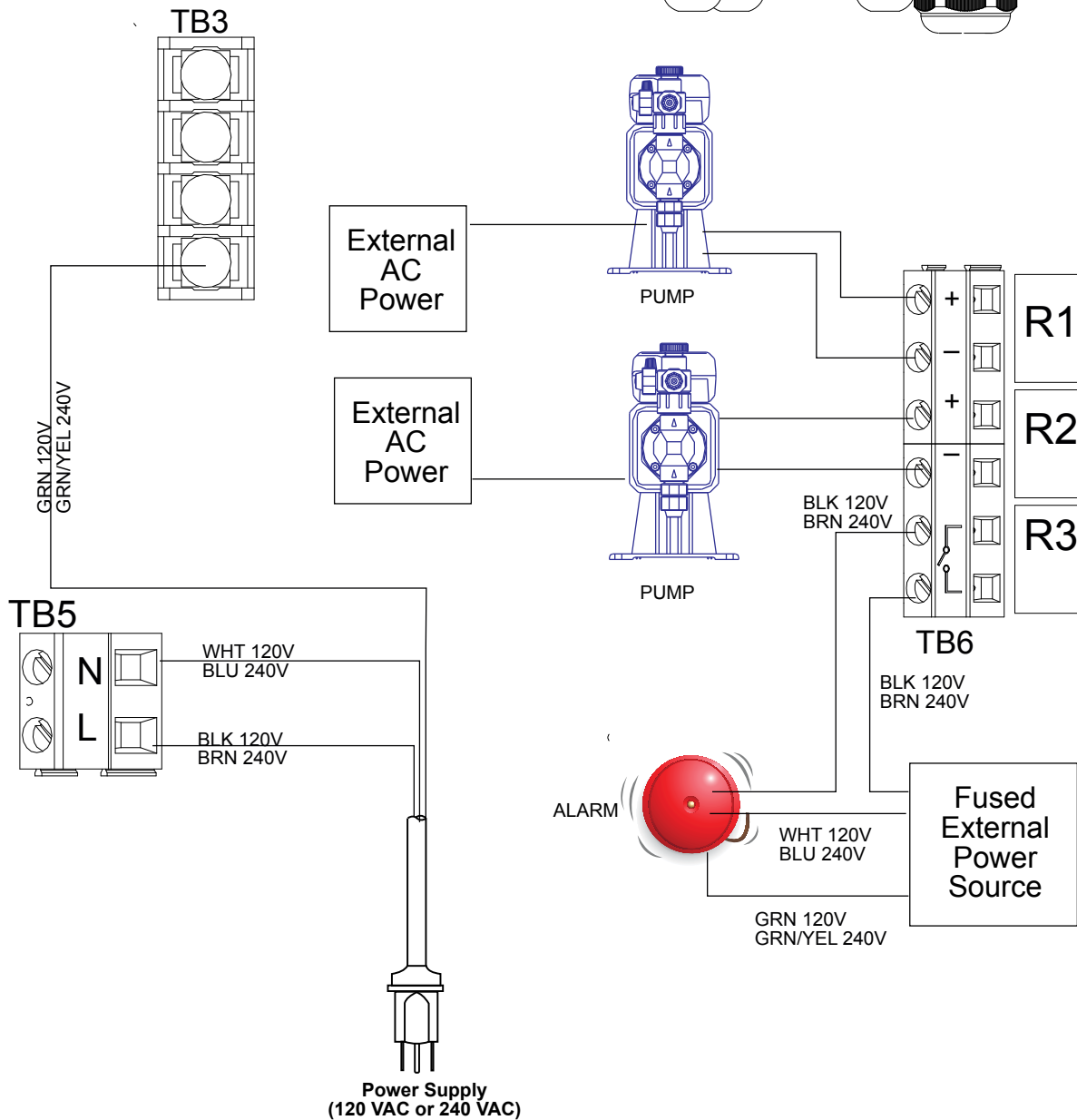
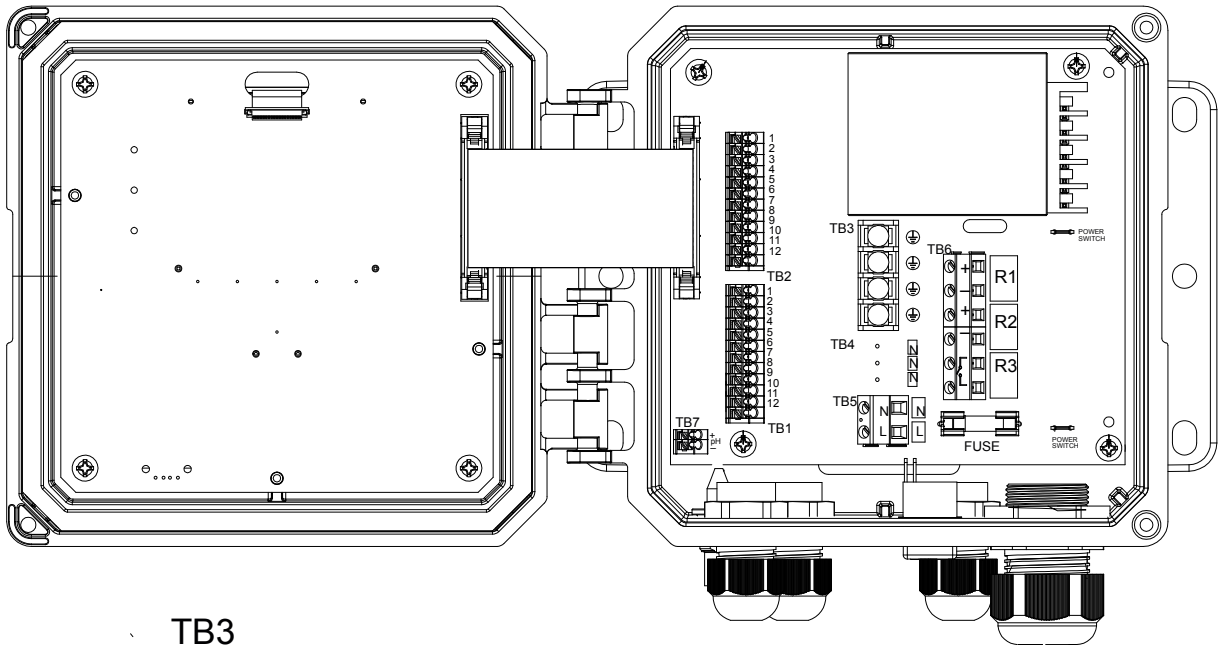


Figure 13 W100 AC Power & Relay Output Wiring



**Figure 14 W110 AC Power & Relay Output Wiring**



**Figure 15 W120 AC Power & Relay Output Wiring**

## 4.0 FUNCTION OVERVIEW

---

### 4.1 Front Panel



Figure 16 Front Panel

### 4.2 Display

A Home screen is displayed while the controller is on. This display shows the sensor readings, active alarms and a row of icons that are used to navigate to other screens.

### 4.3 Keypad

The keypad consists of 5 ATM type keys and a Home key used to return to the Home screen. The icon above the ATM keys will define its purpose on the current screen being displayed.

### 4.4 Icons

The following icons appear on the Home screen. Press the key below the icon to get to the main menu selections.



Alarm Menu



Inputs Menu



Outputs Menu



Settings Menu

Other icons may appear in the menu screens.



Calibration key appears in sensor input menus and brings up the calibration menu



Cancel key cancels any entry



The Page Down icon scrolls down to a new page in a list of options.



The Page Up icon scrolls up to a new page in a list of options.



The Confirm icon accepts a choice and advances to the next calibration step



The Back/Return icon returns the display to the previous screen



The Make Character Higher key is used when making an alphanumeric entry



The Make Character Lower key is used when making an alphanumeric entry



The Move Cursor key is used to scroll left to right within an alphanumeric entry



The ENTER key is used to finish entering data or enter a highlighted menu choice

## ***Overview of the use of keys***

### **Changing Numeric Values**

To change a number, use the Move Cursor key to the digit to be changed. If the new number will be negative, start with the sign using the Make Character Higher key. Move the cursor to each digit and change the value using either the Make Character Higher or Lower keys. Once the value of the number is correct use the Enter key to store the new value into memory, or use the Cancel key to leave the number at its previous value and go back.

### **Changing Names**

To change the name used to identify an input or output, use the Move Cursor key to the character to be changed and change it using either the Make Character Higher or Lower keys. Upper case and lower case letter, numbers, a blank space, period, plus and minus symbols are available. Move the cursor to the right and modify each character. Once the word is correct, use the Enter key to store the new value into memory, or use the Cancel key to leave the word at its previous value and go back.

### **Choosing from a List**

Selecting the type of sensor, the units of measure of an input, or the control mode used for an output, the selection is picked from a list of available options. Use the Page Up or Down keys to highlight the desired option, and then use the Enter key to store the new option into memory, or use the Return key to leave the option at its previous value and go back.

### **Hand-Off-Auto Relay Mode**

Use the Left or Right Move Cursor keys to highlight the desired relay mode. In Hand mode the relay is forced on for a specified amount of time and when that time is up the relay returns to its previous mode, in Off mode the relay is always off until taken out of Off mode, and in Auto mode the relay is responding to control set points. Use the Confirm key to accept the option, or the Return key to leave the option at its previous value and go back.

## **Interlock and Force On Menus**

To select which outputs to force on, or which outputs to be interlocked, use the Move Cursor key to highlight the output to be selected, then use the Make Character Higher or Lower keys to check or uncheck that output. When finished, press the Confirm key to accept the changes or the Cancel key to leave the selections at the previous settings and go back.

## **4.5 Startup**

### ***Initial Startup***

After having mounted the enclosure and wired the unit, the controller is ready to be started. Plug in the controller and turn on the power switch to supply power to the unit. The display will briefly show the model number and then revert to the normal summary display. Press the Home key if necessary to get to the Home screen. Refer to section 5 below for more details on each of the settings.

### ***Settings Menu (see section 5.4)***

#### **Choose language**

Press the Configuration Settings key. Press the Enter key. Press the Scroll Down key until the English word “Language” is highlighted. Press the Enter key. Press the Scroll Down key until your language is highlighted. Press the Confirm key to change all menus to your language.

#### **Set date (if necessary)**

Press the Scroll Up key until Date is highlighted. Press the Enter key. Press the Move Cursor key to highlight the Day, and then use the Make Character Higher or Lower keys to change the date. Press the Confirm key to accept the change.

#### **Set time (if necessary)**

Press the Scroll Down key until Time is highlighted. Press the Enter key. Press the Move Cursor key to highlight the HH (hour) and/or MM (minute), then use the Make Character Higher or Lower keys to change the time. Press the Confirm key to accept the change.

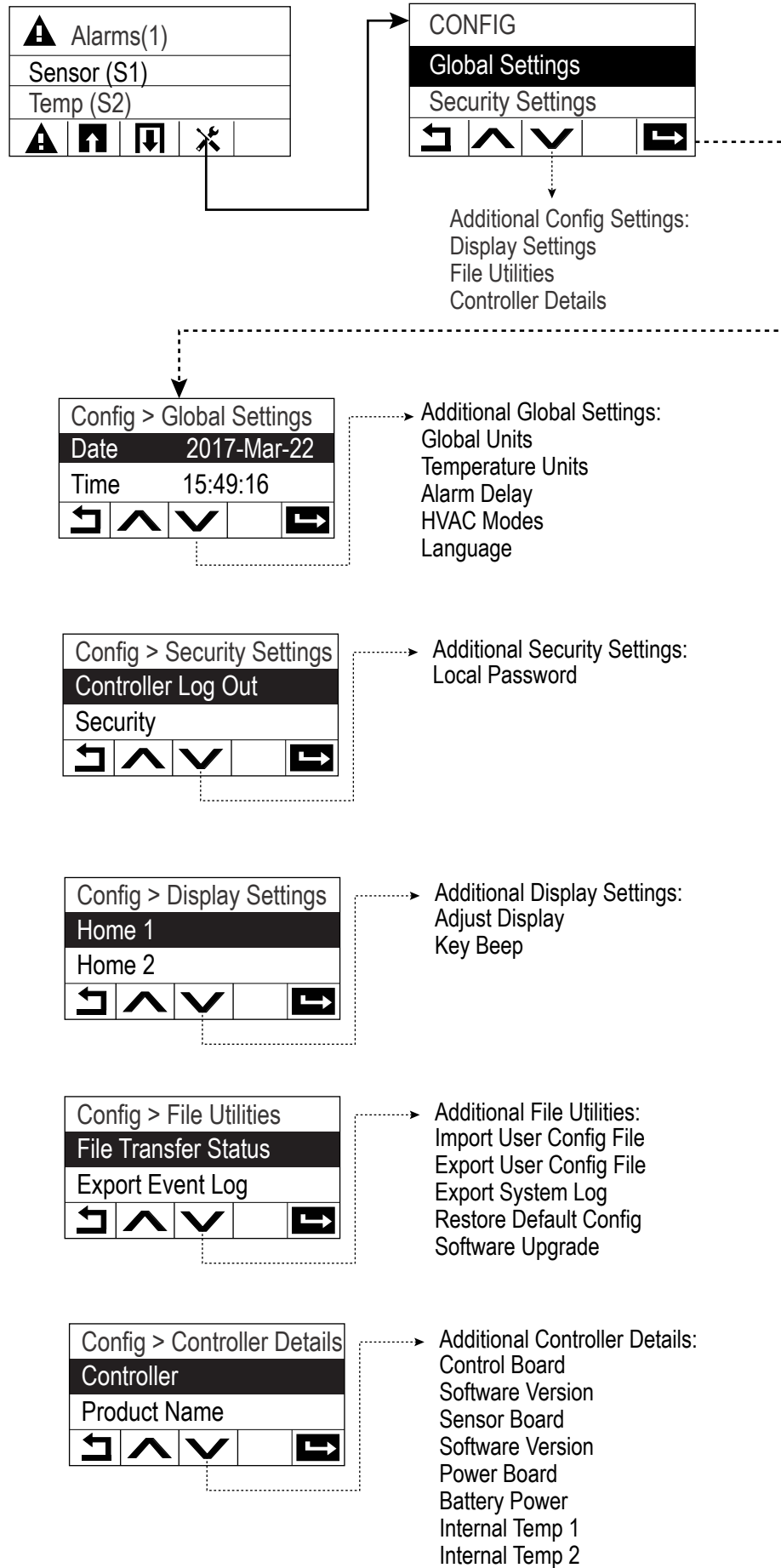
#### **Set global units of measure**

Press the Scroll Down key until Global Units is highlighted. Press the Enter key. Press the Scroll Down key until the desired units is highlighted. Press the Confirm key to accept the change.

#### **Set temperature units of measure**

Press the Scroll Down key until Temp Units is highlighted. Press the Enter key. Press the Scroll Down key until the desired units is highlighted. Press the Confirm key to accept the change.

Press the Home key. Press the Inputs key.





# INPUTS

| Inputs     |         |
|------------|---------|
| CCond (S1) | 0 μS/cm |
| Temp (S2)  | 74.7 °F |
| ⏪ ⏩ ⏴ ⏵    |         |

|                 |         |
|-----------------|---------|
| ⚠ No Alarms (1) |         |
| CCond (S1)      | 0 μS/cm |
| Temp (S2)       | 74.7°F  |
| ⚠ ⏴ ⏵ ⏪ ⏩       |         |

|                                |  |
|--------------------------------|--|
| >> CCond (S1) > Calibration    |  |
| One Point Process Calibration  |  |
| One Point Buffer Calibration   |  |
| Two Point Buffer Calibration   |  |
| Three Point Buffer Calibration |  |
| One Point Analog Calibration   |  |
| Two Point Analog Calibration   |  |
| Open Air Calibration           |  |
| Zero Calibration               |  |
| ⏪ ⏩ ⏴ ⏵                        |  |

(All)  
(CCond,ECond,pH,ORP)  
(ECond,pH,ORP)  
(pH)  
(Cond)  
(Disinfection)

| Inputs>CCond (S1)               |  |
|---------------------------------|--|
| Details Screen                  |  |
| Content varies with output type |  |
| ⏪ ⏩ ⏴ ⏵                         |  |

|              |  |
|--------------|--|
| >>CCond (S1) |  |
| Alarms       |  |
| Deadband     |  |
| ⏪ ⏩ ⏴ ⏵      |  |

Additional Settings for CCond:  
Reset Calibration Values  
Cal Required Alarm  
Alarm Suppression  
Smoothing Factor  
Default Temp  
Temp Compensation  
Temp Comp Factor  
Cell Constant  
Cable Length  
Gauge  
Units  
Name  
Type

|                |  |
|----------------|--|
| >>Generic (S1) |  |
| Alarms         |  |
| Deadband       |  |
| ⏪ ⏩ ⏴ ⏵        |  |

Additional Settings for Generic:  
Reset Calibration Values  
Cal Required Alarm  
Alarm Suppression  
Smoothing Factor  
Sensor Slope  
Sensor Offset  
Low Range  
High Range  
Cable Length  
Gauge  
Units  
Electrode (Linear or Ion Selective)  
Name  
Type

|              |  |
|--------------|--|
| >>ECond (S1) |  |
| Alarms       |  |
| Deadband     |  |
| ⏪ ⏩ ⏴ ⏵      |  |

Additional Settings for ECond:  
Reset Calibration Values  
Cal Required Alarm  
Alarm Suppression  
Smoothing Factor  
Default Temp  
Installation Factor  
Range  
Temp Compensation  
Temp Comp Factor  
Cell Constant  
Cable Length  
Gauge  
Units  
Name  
Type

|                    |  |
|--------------------|--|
| >>DI State (D1-D2) |  |
| Open Message       |  |
| Closed Message     |  |
| ⏪ ⏩ ⏴ ⏵            |  |

Additional Settings for DI State:  
Interlock  
Alarm  
Alarm Suppression  
Total Time  
Reset Total Time  
Name  
Type

|                    |  |
|--------------------|--|
| >>Temperature (S2) |  |
| Alarms             |  |
| Deadband           |  |
| ⏪ ⏩ ⏴ ⏵            |  |

Additional Settings for Temperature:  
Reset Calibration Values  
Cal Required Alarm  
Alarm Suppression  
Smoothing Factor  
Name  
Element

|                     |  |
|---------------------|--|
| Contactor Type      |  |
| >>Flowmeter (D1-D2) |  |
| Totalizer Alarm     |  |
| Reset Flow Total    |  |
| ⏪ ⏩ ⏴ ⏵             |  |

Additional Settings for Flowmeter:  
Set Flow Total  
Scheduled Reset  
Alarm Suppression  
Volume/Contact  
Flow Units  
Name  
Type

|           |  |
|-----------|--|
| >>pH (S1) |  |
| Alarms    |  |
| Deadband  |  |
| ⏪ ⏩ ⏴ ⏵   |  |

Additional Settings for pH:  
Reset Calibration Values  
Cal Required Alarm  
Alarm Suppression  
Smoothing Factor  
Buffers  
Default Temp  
Cable Length  
Gauge  
Electrode  
Name  
Type

|                     |  |
|---------------------|--|
| Paddlewheel Type    |  |
| >>Flowmeter (D1-D2) |  |
| Alarms              |  |
| Deadband            |  |
| ⏪ ⏩ ⏴ ⏵             |  |

Additional Settings for Flowmeter:  
Alarm Suppression  
Totalizer Alarm  
Reset Flow Total  
Set Flow Total  
Scheduled Reset  
K Factor  
Flow Units  
Rate Units  
Smoothing Factor  
Name  
Type

|            |  |
|------------|--|
| >>ORP (S1) |  |
| Alarms     |  |
| Deadband   |  |
| ⏪ ⏩ ⏴ ⏵    |  |

Additional Settings for ORP:  
Reset Calibration Values  
Cal Required Alarm  
Alarm Suppression  
Smoothing Factor  
Default Temp  
Cable Length  
Gauge  
Name  
Type

Only Available in some models

|                     |  |
|---------------------|--|
| >>Disinfection (S1) |  |
| Alarms              |  |
| Deadband            |  |
| ⏪ ⏩ ⏴ ⏵             |  |

Additional Settings for Disinfection:  
Reset Calibration Values  
Cal Required Alarm  
Alarm Suppression  
Smoothing Factor  
Cable Length  
Gauge  
Sensor  
Name  
Type



# OUTPUTS R1-R3

**Outputs>On/Off (R1-R3)**

Details Screen  
Content varies with output type

· [v] [x]

**Outputs**

On/Off (R1-R3) Off

Bleed (R2) Off

· [^] [v] [↩]

**No Alarms (1)**

CCond (S1) 0 μS/cm

Temp (S2) 74.7°F

[!]

**>>On/Off (R1-R3)>Settings**

HOA Setting

Setpoint

· [v] [↩]

**Additional Settings for On/OFF:**

|                        |                  |
|------------------------|------------------|
| Deadband               | Min Relay Cycle  |
| Duty Cycle Period      | Hand Time Limit  |
| Duty Cycle             | Reset Time Total |
| Output Time Limit      | Input            |
| Reset Output Timeout   | Direction        |
| Interlock Channels     | Name             |
| Activate with Channels | Mode             |

**>>Time Prop (R1-R3)**

HOA Setting

Setpoint

· [v] [↩]

**Additional Settings for Time Prop:**

|                        |                  |
|------------------------|------------------|
| Proportional Band      | Hand Time Limit  |
| Sample Period          | Reset Time Total |
| Output Time Limit      | Input            |
| Reset Output Timeout   | Direction        |
| Interlock Channels     | Name             |
| Activate with Channels | Mode             |
| Min Relay Cycle        |                  |

**>>Flow Timer (R1-R3)**

HOA Setting

Feed Duration

· [v] [↩]

**Additional Settings for Flow Timer:**

|                        |                  |
|------------------------|------------------|
| Accumulated Volume     | Hand Time Limit  |
| Reset Timer            | Reset Time Total |
| Reset Output Timeout   | Flow Input       |
| Interlock Channels     | Name             |
| Activate with Channels | Mode             |
| Min Relay Cycle        |                  |

Only if HVAC mode is enabled

**>>Int Sampling (R1-R3)**

HOA Setting

Setpoint

· [v] [↩]

**Additional Settings for Int Sampling:**

|                      |                        |
|----------------------|------------------------|
| Proportional Band    | Interlock Channels     |
| Deadband             | Activate with Channels |
| Sample Time          | Min Relay Cycle        |
| Hold Time            | Reset Time Limit       |
| Maximum Blowdown     | Reset Time Total       |
| Wait Time            | Cond Input             |
| Trap Sample          | Name                   |
| Output Time Limit    | Mode                   |
| Reset Output Timeout |                        |

Only if HVAC mode is enabled

**>>Bleed and Feed (R1-R3)**

HOA Setting

Feed Time Limit

· [v] [↩]

**Additional Settings for Bleed and Feed:**

|                        |                  |
|------------------------|------------------|
| Output Time Limit      | Hand Time Limit  |
| Reset Output Timeout   | Reset Time Total |
| Interlock Channels     | Bleed            |
| Activate with Channels | Name             |
| Min Relay Cycle        | Mode             |

**>>Manual (R1-R3)**

HOA Setting

Interlock Channels

· [v] [↩]

**Additional Settings for Manual:**

|                  |  |
|------------------|--|
| Min Relay Cycle  |  |
| Hand Time Limit  |  |
| Reset Time Total |  |
| Name             |  |
| Mode             |  |

Only if HVAC mode is enabled

**>>Bleed and Feed (R1-R3)**

HOA Setting

Feed Percentage

· [v] [↩]

**Additional Settings for Bleed then Feed:**

|                        |                  |
|------------------------|------------------|
| Feed Time Limit        | Hand Time Limit  |
| Reset Timer            | Reset Time Total |
| Reset Output Timeout   | Bleed            |
| Interlock Channels     | Name             |
| Activate with Channels | Mode             |
| Min Relay Cycle        |                  |

Only if model W120/power relay bd installed

**>>Pulse Prop (R1-R3)**

HOA Setting

Setpoint

· [v] [↩]

**Additional Settings for Pulse Prop:**

|                        |                  |
|------------------------|------------------|
| Proportional Band      | Min Relay Cycle  |
| Min Output             | Hand Time Limit  |
| Max Output             | Reset Time Total |
| Max Rate               | Input            |
| Output Time Limit      | Direction        |
| Reset Output Timeout   | Name             |
| Interlock Channels     | Mode             |
| Activate with Channels |                  |

**>>Percent Timer (R1-R3)**

HOA Setting

Sample Period

· [v] [↩]

**Additional Settings for Percent Timer:**

|                        |                  |
|------------------------|------------------|
| Feed Percentage        | Hand Time Limit  |
| Interlock Channels     | Reset Time Total |
| Activate with Channels | Name             |
| Min Relay Cycle        | Mode             |

**>>Dual Setpoint (R1-R3)**

HOA Setting

Setpoint

· [v] [↩]

**Additional Settings for Dual Setpoint:**

|                        |                  |
|------------------------|------------------|
| Set Point 2            | Min Relay Cycle  |
| Deadband               | Hand Time Limit  |
| Duty Cycle Period      | Reset Time Total |
| Duty Cycle             | Input            |
| Output Time Limit      | Direction        |
| Reset Output Timeout   | Name             |
| Interlock Channels     | Mode             |
| Activate with Channels |                  |

Only if HVAC mode is enabled

**>>Biocide Timer (R1-R3)**

HOA Setting

Bleed

· [v] [↩]

**Additional Settings for Biocide Timer:**

|                      |                        |
|----------------------|------------------------|
| Event 1 (through 10) | Bleed Lockout          |
| Repetition           | Add Last Missed        |
| Week                 | Interlock Channels     |
| Day                  | Activate with Channels |
| Start Time           | Min Relay Cycle        |
| Duration             | Hand Time Limit        |
| Prebleed Time        | Reset Time Total       |
| Prebleed To          | Name                   |
| Cond Input           | Mode                   |

**>>Probe Wash (R1-R3)**

HOA Setting

Input

· [v] [↩]

**Additional Settings for Probe Wash:**

|                      |                        |
|----------------------|------------------------|
| Input 2              | Interlock Channels     |
| Event 1 (through 10) | Activate with Channels |
| Repetition           | Min Relay Cycle        |
| Week, Day            | Hand Time Limit        |
| Events per Day       | Reset Time Total       |
| Start Time           | Name                   |
| Duration             | Mode                   |
| Sensor Mode          |                        |
| Hold Time            |                        |

**>>Alarm (R1-R3)**

HOA Setting

Alarm Mode

· [v] [↩]

**Additional Settings for Alarm:**

|                        |                  |
|------------------------|------------------|
| On Delay Time          | Hand Time Limit  |
| Off Delay Time         | Reset Time Total |
| Output                 | Name             |
| Interlock Channels     | Mode             |
| Activate with Channels |                  |
| Min Relay Cycle        |                  |

Only if HVAC mode is disabled

**>>Timer (R1-R3)**

HOA Setting

Add Last Missed

· [v] [↩]

**Additional Settings for Timer:**

|                        |                  |
|------------------------|------------------|
| Event 1 (through 10)   | Min Relay Cycle  |
| Repetition             | Hand Time Limit  |
| Week, Day              | Reset Time Total |
| Events per Day         | Name             |
| Start Time             | Mode             |
| Duration               |                  |
| Interlock Channels     |                  |
| Activate with Channels |                  |



# OUTPUT A1

| Output>Retrans (A1)                           |   |
|---|---|
| Details on this page vary with type of output |   |
| ↩   | ⌵ |

|              |      |
|--------------|------|
| Output       |      |
| On/Off (R1)  | Off  |
| Retrans (A1) | 0.0% |
| ↩            | ⌵    |

|                 |         |
|-----------------|---------|
| ⚠ No Alarms (1) |         |
| CCond (S1)      | 0 μS/cm |
| Temp (S2)       | 74.7°F  |
| ⚠               | ⬆       |

| >>Retransmit (A1) |   |
|-------------------|---|
| HOA Setting       |   |
| 4 mA Value        |   |
| ↩                 | ⌵ |

Additional Settings for Retransmit:  
 20 mA Value                      Reset Time Total  
 Hand Output                      Input  
 Interlock Channels              Name  
 Error Output                      Mode

| >>Proportional (A1) |   |
|---------------------|---|
| HOA Setting         |   |
| Setpoint            |   |
| ↩                   | ⌵ |

Additional Settings for Proportional:  
 Proportional Band                      Hand Time Limit  
 Min Output                              Reset Time Total  
 Max Output                              Off Mode Output  
 Output Time Limit                      Error Output  
 Reset Output Timeout                      Input  
 Interlock Channels                      Direction  
 Activate with Channels                      Name  
 Hand Output                              Mode

Only available if HVAC is disabled

| >>PID (A1)  |   |
|-------------|---|
| HOA Setting |   |
| Setpoint    |   |
| ↩           | ⌵ |

Additional Settings for PID:  
 Gain                                      Hand Output  
 Proportional Gain                      Hand Time Limit  
 Integral Time                              Off Mode Output  
 Integral Gain                              Error Output  
 Derivative Time                              Reset Time Total  
 Derivative Gain                              Input  
 Reset PID Integral                              Direction  
 Min Output                              Input Min  
 Max Output                              Input Max  
 Max Rate                                      Gain Form  
 Output Time Limit                              Name  
 Reset Output Timeout                      Mode  
 Interlock Channels  
 Activate with Channels

| >>Manual (A1)      |   |
|--------------------|---|
| HOA Setting        |   |
| Interlock Channels |   |
| ↩                  | ⌵ |

Additional Settings for Manual:  
 Activate with Channels                      Name  
 Min. Relay Cycle                              Mode  
 Hand Output  
 Hand Time Limit  
 Reset Time Total

| >>Flow Prop (A1) |   |
|------------------|---|
| HOA Setting      |   |
| Target           |   |
| ↩                | ⌵ |

Additional Settings for Flow Prop Control Mode:  
 Pump Capacity                              Hand Time Limit  
 Pump Setting                              Off Mode Output  
 Specific Gravity                              Error Output  
 Output Time Limit                              Reset Time Total  
 Reset Output Timeout                      Flow Input  
 Interlock Channels                              Name  
 Activate with Channels                      Mode  
 Hand Output

## ***Inputs (see section 5.2)***

### **Program the settings for each input**

The S1 sensor input will be highlighted. Press the Enter key to get to the Details screen. Press the Settings key. If the name of the sensor does not describe the type of sensor connected, press the Scroll Down key until Type is highlighted. Press the Enter key. Press the Scroll Down key until the correct type of sensor is highlighted, then press the Confirm key to accept the change. This will bring you back to the Details screen. Press the Settings key again to finish the rest of the S1 settings. For disinfections sensors, choose the exact sensor in the Sensor menu. For contacting conductivity sensors, enter the cell constant. Select the units of measure. Enter the alarm set points and alarm deadband. Set the default temperature that will be used for automatic temperature compensation if the temperature signal becomes invalid.

When finished with S1, press the Return key until the list of inputs is displayed. Press the Scroll Down key and repeat the process for each input.

The S2 temperature input Element should be set correctly once the S1 sensor type has been set. If not, select the correct temperature element and set the alarm set points and alarm deadband. Generic, ORP and disinfection sensors do not have temperature signals and are preset to No Sensor.

To calibrate the temperature, return to the S2 Details screen, press the Calibrate key, and press the Enter key to perform a calibration.

If a flow switch or liquid level switch is connected, D1 or D2 should be set to DI State type (if no switch is connected, select No Sensor). Set the state that will possibly interlock control outputs (refer to the Outputs settings to program which outputs, if any, will be interlocked by the switch). Set the state, if any, that will result in an alarm.

If a contacting head or paddlewheel flow meter is connected, D1 or D2 should be set to that type (if no flow meter is connected, select No Sensor). Set the units of measure, volume/contact or K factor, etc.

### **Calibrate the sensor**

To calibrate the sensor, return to the list of inputs, highlight S1, press the Enter key, press the Calibrate key, and select one of the calibration routines. For disinfection and Generic sensors, start with the Zero Calibration. For electrodeless conductivity, start with the Air Calibration. Refer to section 5.2. Press the Home key. Press the Outputs key.

## ***Outputs (see section 5.3)***

### **Program the settings for each output**

The R1 relay output will be highlighted. Press the Enter key to get to the Details screen. Press the Settings key. If the name of the relay does not describe the control mode desired, press the Scroll Down key until Mode is highlighted.

Press the Enter key. Press the Scroll Down key until the correct control mode is highlighted, then press the Confirm key to accept the change. This will bring you back to the Details screen. Press the Settings key again to finish the rest of the R1 settings.

If you want the output to be interlocked by a flow switch or by another output being active, enter the Interlock Channels menu and select the input or output channel that will interlock this output.

The default is for the output to be in Off mode, where the output does not react to the settings. Once all settings for that output are complete, enter the HOA Setting menu and change it to Auto.

Repeat for each output.

## ***Normal Startup***

Startup is a simple process once your set points are in memory. Simply check your supply of chemicals, turn on the controller, and calibrate the sensor if necessary and it will start controlling.

## **4.6 Shut Down**

To shut the controller down, simply turn off the power. Programming remains in memory.

## 5.0 OPERATION

---

These units control continuously while power is applied. Programming is accomplished via the local keypad and display.

To see the top level menu keys, press the Home key if not already there. The menu structure is grouped by Alarms, Inputs, Outputs, and configuration Settings. Each input has its own menu for calibration and unit selection as needed. Each output has its own setup menu including set points, timer values and operating modes as needed. Under Settings will be general settings such as the clock, the language, etc.

Keep in mind that even while moving through menus, the unit is still controlling.

### 5.1 Alarms Menu

Press the key below the Alarms icon to view a list of active alarms. If there are more than two active alarms, the Page Down icon will be shown, and this key press will bring up the next page of inputs.

Press the Back/Return button to go back to the previous screen.

### 5.2 Inputs Menu

Press the key below the Inputs icon to view a list of all sensor and digital inputs. The Page Down icon scrolls down the list of inputs, the Page Up icon scrolls up the list of inputs, the Return icon brings back the previous screen.

Press the Enter key with an input highlighted to access that input's details, calibration (if applicable) and settings.

#### Sensor Input Details

The details for any type of sensor input include the current value read, alarms, the raw (uncalibrated) signal, the sensor type, and the calibration gain and offset. If the sensor has automatic temperature compensation, then the sensor's temperature value and alarms, the temperature resistance value read, and the type of temperature element required are also displayed.

#### Calibration

Press the Calibration key to calibrate the sensor. Select the calibration to perform: One Point Process, One Point Buffer or Two Point Buffer Calibration. Not all calibration options are available for all types of sensor.

#### *One Point Process Calibration*

##### New Value

Enter the actual value of the process as determined by another meter or laboratory analysis and press Confirm.

##### Cal Successful or Failed

If successful, press Confirm to put the new calibration in memory.

If failed, you may retry the calibration or cancel. Refer to Section 7 to troubleshoot a calibration failure.

#### *One Point Buffer Calibration, Disinfection /Generic Sensor Zero Cal, Conductivity Air Cal*

##### Cal Disables Control

Press Confirm to continue or Cancel to abort

**Buffer Temperature** (only appears if no temperature sensor is detected for sensor types that use automatic temperature compensation)

Enter the temperature of the buffer and press Confirm.

**Buffer Value** (only appears for One Point Calibration except when automatic buffer recognition is used)

Enter the value of the buffer being used

**Rinse Sensor**

Remove the sensor from the process, rinse it off, and place it in the buffer solution (or oxidizer-free water for Zero Cal, or air for the conductivity open air cal). Press Confirm when ready.

**Stabilization**

When the temperature (if applicable) and signal from the sensor is stable, the controller will automatically move to the next step. If they don't stabilize you may manually go to the next step by pressing Confirm.

**Cal Successful or Failed**

If successful, press Confirm to put the new calibration in memory.

If failed, you may retry the calibration or cancel. Refer to Section 7 to troubleshoot a calibration failure.

**Resume Control**

Replace the sensor in the process and press Confirm when ready to resume control.

***Two Point Buffer Calibration*****Cal Disables Control**

Press Confirm to continue or Cancel to abort

**Buffer Temperature** (only appears if no temperature sensor is detected for sensor types that use automatic temperature compensation)

Enter the temperature of the buffer and press Confirm.

**First Buffer Value** (does not appear if automatic buffer recognition is used)

Enter the value of the buffer being used

**Rinse Sensor**

Remove the sensor from the process, rinse it off, and place it in the buffer solution. Press Confirm when ready.

**Stabilization**

When the temperature (if applicable) and signal from the sensor is stable, the controller will automatically move to the next step. If they don't stabilize you may manually go to the next step by pressing Confirm.

**Second Buffer Temperature** (only appears if no temperature sensor is detected for sensor types that use automatic temperature compensation)

Enter the temperature of the buffer and press Confirm.

**Second Buffer Value** (does not appear if automatic buffer recognition is used)

Enter the value of the buffer being used

**Rinse Electrode**

Remove the sensor from the process, rinse it off, and place it in the buffer solution. Press Confirm when ready.

**Stabilization**

When the temperature (if applicable) and signal from the sensor is stable, the controller will automatically move to the next step. If they don't stabilize you may manually go to the next step by pressing Confirm.

**Cal Successful or Failed**

If successful, press Confirm to put the new calibration in memory. The calibration adjusts the offset and the gain (slope) and displays the new values. If failed, you may retry the calibration or cancel. Refer to Section 7 to troubleshoot a calibration failure.

**Resume Control**

Replace the sensor in the process and press Confirm when ready to resume control.

## ***Three Point Buffer Calibration (pH sensors only)***

### **Cal Disables Control**

Press Confirm to continue or Cancel to abort

**Buffer Temperature** (only appears if no temperature sensor is detected)

Enter the temperature of the buffer and press Confirm.

**First Buffer Value** (does not appear if automatic buffer recognition is used)

Enter the value of the buffer being used

### **Rinse Sensor**

Remove the sensor from the process, rinse it off, and place it in the buffer solution. Press Confirm when ready.

### **Stabilization**

When the temperature (if applicable) and signal from the sensor is stable, the controller will automatically move to the next step. If they don't stabilize you may manually go to the next step by pressing Confirm.

**Second Buffer Temperature** (only appears if no temperature sensor is detected)

Enter the temperature of the buffer and press Confirm.

**Second Buffer Value** (does not appear if automatic buffer recognition is used)

Enter the value of the buffer being used

### **Rinse Electrode**

Remove the sensor from the process, rinse it off, and place it in the buffer solution. Press Confirm when ready.

### **Stabilization**

When the temperature (if applicable) and signal from the sensor is stable, the controller will automatically move to the next step. If they don't stabilize you may manually go to the next step by pressing Confirm.

**Third Buffer Temperature** (only appears if no temperature sensor is detected)

Enter the temperature of the buffer and press Confirm.

**Third Buffer Value** (does not appear if automatic buffer recognition is used)

Enter the value of the buffer being used

### **Rinse Electrode**

Remove the sensor from the process, rinse it off, and place it in the buffer solution. Press Confirm when ready.

### **Stabilization**

When the temperature (if applicable) and signal from the sensor is stable, the controller will automatically move to the next step.

### **Cal Successful or Failed**

If successful, press Confirm to put the new calibration in memory. The calibration adjusts the offset, gain (slope) and calibration midpoint and displays the new values. If failed, you may retry the calibration or cancel. Refer to Section 7 to troubleshoot a calibration failure.

### **Resume Control**

Replace the sensor in the process and press Confirm when ready to resume control.

## 5.2.1 Contacting Conductivity (Only available in some models)

### Settings

Press the Settings key view or change the settings related to the sensor.

|                                 |  |
|---------------------------------|--|
| <b>Alarms</b>                   | Low-Low, Low, High and High-High Alarms limits may be set.   |
| <b>Deadband</b>                 | This is the Alarm Deadband. For example, if the High Alarm is 3000, and the deadband is 10, the alarm will activate at 3001 and deactivate at 2990.  |
| <b>Reset Calibration Values</b> | Enter this menu to reset the sensor calibration back to factory defaults.  |
| <b>Cal Required Alarm</b>       | To get an alarm message as a reminder to calibrate the sensor on a regular schedule, enter the number of days between calibrations. Set it to 0 if no reminders are necessary.   |
| <b>Alarm Suppression</b>        | If any of the relays or digital inputs are selected, any alarms related to this input will be suppressed if the selected relay or digital input is active. Typically this is used to prevent alarms if there is no sample flow past the flow switch digital input. |
| <b>Smoothing Factor</b>         | Increase the smoothing factor percentage to dampen the response to changes. For example, with a 10% smoothing factor, the next reading shown will consist of an average of 10% of the previous value and 90% of the current value.                                 |
| <b>Cable Length</b>             | The controller automatically compensates for errors in the reading caused by varying the length of the cable.  |
| <b>Gauge</b>                    | The cable length compensation depends upon the gauge of wire used to extend the cable  |
| <b>Cell Constant</b>            | Change the cell constant to match the sensor connected.  |
| <b>Default Temp</b>             | If the temperature signal is lost at any time, then the controller will use the Default Temp setting for temperature compensation.   |
| <b>Temp Comp</b>                | Select between the standard NaCl temperature compensation method or a linear %/degree C method.  |
| <b>Comp Factor</b>              | This menu only appears if Linear Temp Comp is selected. Change the %/degree C to match the chemistry being measured. Standard water is 2%.   |
| <b>Units</b>                    | Select the units of measure for the conductivity.  |
| <b>Name</b>                     | The name used to identify the sensor may be changed.   |
| <b>Type</b>                     | Select the type of sensor to be connected.   |

## 5.2.2 pH

### Settings

Press the Settings key view or change the settings related to the sensor.

|                                 |  |
|---------------------------------|--|
| <b>Alarms</b>                   | Low-Low, Low, High and High-High Alarms limits may be set.   |
| <b>Deadband</b>                 | This is the Alarm Deadband. For example, if the High Alarm is 9.50, and the deadband is 0.05, the alarm will activate at 9.51 and deactivate at 9.45.  |
| <b>Reset Calibration Values</b> | Enter this menu to reset the sensor calibration back to factory defaults.  |
| <b>Cal Required Alarm</b>       | To get an alarm message as a reminder to calibrate the sensor on a regular schedule, enter the number of days between calibrations. Set it to 0 if no reminders are necessary.   |
| <b>Alarm Suppression</b>        | If any of the relays or digital inputs are selected, any alarms related to this input will be suppressed if the selected relay or digital input is active. Typically this is used to prevent alarms if there is no sample flow past the flow switch digital input. |
| <b>Smoothing Factor</b>         | Increase the smoothing factor percentage to dampen the response to changes. For example, with a 10% smoothing factor, the next reading shown will consist of an average of 10% of the previous value and 90% of the current value.                                 |

|                     |   |
|---------------------|---|
| <b>Buffers</b>      | Select if calibration buffers will be manually entered, or if they will be automatically detected, and if so, which set of buffers will be used. The choices are Manual Entry, JIS/NIST Standard, DIN Technical, or Traceable 4/7/10. |
| <b>Default Temp</b> | If the temperature signal is lost at any time, then the controller will use the Default Temp setting for temperature compensation.  |
| <b>Cable Length</b> | The controller automatically compensates for errors in the reading caused by varying the length of the cable.   |
| <b>Gauge</b>        | The cable length compensation depends upon the gauge of wire used to extend the cable   |
| <b>Electrode</b>    | Select Glass for a standard pH electrode, or Antimony. Antimony pH electrodes have a default slope of 49 mV/pH and an offset of -320 mV at pH 7.  |
| <b>Name</b>         | The name used to identify the sensor may be changed.  |
| <b>Type</b>         | Select the type of sensor to be connected.  |

### 5.2.3 **ORP**

#### Settings

Press the Settings key view or change the settings related to the sensor.

|                                 |  |
|---------------------------------|--|
| <b>Alarms</b>                   | Low-Low, Low, High and High-High Alarms limits may be set.   |
| <b>Deadband</b>                 | This is the Alarm Deadband. For example, if the High Alarm is 800, and the deadband is 10, the alarm will activate at 801 and deactivate at 790.   |
| <b>Reset Calibration Values</b> | Enter this menu to reset the sensor calibration back to factory defaults.  |
| <b>Cal Required Alarm</b>       | To get an alarm message as a reminder to calibrate the sensor on a regular schedule, enter the number of days between calibrations. Set it to 0 if no reminders are necessary.   |
| <b>Alarm Suppression</b>        | If any of the relays or digital inputs are selected, any alarms related to this input will be suppressed if the selected relay or digital input is active. Typically this is used to prevent alarms if there is no sample flow past the flow switch digital input. |
| <b>Smoothing Factor</b>         | Increase the smoothing factor percentage to dampen the response to changes. For example, with a 10% smoothing factor, the next reading shown will consist of an average of 10% of the previous value and 90% of the current value.                                 |
| <b>Cable Length</b>             | The controller automatically compensates for errors in the reading caused by varying the length of the cable.  |
| <b>Gauge</b>                    | The cable length compensation depends upon the gauge of wire used to extend the cable  |
| <b>Name</b>                     | The name used to identify the sensor may be changed.   |
| <b>Type</b>                     | Select the type of sensor to be connected.   |

### 5.2.4 **Disinfection (Only available in some models)**

#### Settings

Press the Settings key view or change the settings related to the sensor.

|                                 |  |
|---------------------------------|--|
| <b>Alarms</b>                   | Low-Low, Low, High and High-High Alarms limits may be set.   |
| <b>Deadband</b>                 | This is the Alarm Deadband. For example, if the High Alarm is 7.00, and the deadband is 0.1, the alarm will activate at 7.01 and deactivate at 6.90.   |
| <b>Reset Calibration Values</b> | Enter this menu to reset the sensor calibration back to factory defaults.  |
| <b>Cal Required Alarm</b>       | To get an alarm message as a reminder to calibrate the sensor on a regular schedule, enter the number of days between calibrations. Set it to 0 if no reminders are necessary.   |
| <b>Alarm Suppression</b>        | If any of the relays or digital inputs are selected, any alarms related to this input will be suppressed if the selected relay or digital input is active. Typically this is used to prevent alarms if there is no sample flow past the flow switch digital input. |
| <b>Smoothing Factor</b>         | Increase the smoothing factor percentage to dampen the response to changes. For example, with a 10% smoothing factor, the next reading shown will consist of an average of 10% of the previous value and 90% of the current value.                                 |

|                     |   |
|---------------------|---|
| <b>Cable Length</b> | The controller automatically compensates for errors in the reading caused by varying the length of the cable. |
| <b>Gauge</b>        | The cable length compensation depends upon the gauge of wire used to extend the cable                         |
| <b>Name</b>         | The name used to identify the sensor may be changed.  |
| <b>Sensor</b>       | Select the specific type and range of disinfection sensor to be connected.                                    |
| <b>Type</b>         | Select the type of sensor to be connected.  |

### 5.2.5 Electrodeless Conductivity (Only available in some models)

#### Settings

Press the Settings key view or change the settings related to the sensor.

|                                 |  |
|---------------------------------|--|
| <b>Alarms</b>                   | Low-Low, Low, High and High-High Alarms limits may be set.   |
| <b>Deadband</b>                 | This is the Alarm Deadband. For example, if the High Alarm is 3000, and the deadband is 10, the alarm will activate at 3000 and deactivate at 2990.  |
| <b>Reset Calibration Values</b> | Enter this menu to reset the sensor calibration back to factory defaults.  |
| <b>Cal Required Alarm</b>       | To get an alarm message as a reminder to calibrate the sensor on a regular schedule, enter the number of days between calibrations. Set it to 0 if no reminders are necessary.   |
| <b>Alarm Suppression</b>        | If any of the relays or digital inputs are selected, any alarms related to this input will be suppressed if the selected relay or digital input is active. Typically this is used to prevent alarms if there is no sample flow past the flow switch digital input. |
| <b>Smoothing Factor</b>         | Increase the smoothing factor percentage to dampen the response to changes. For example, with a 10% smoothing factor, the next reading shown will consist of an average of 10% of the previous value and 90% of the current value.                                 |
| <b>Cable Length</b>             | The controller automatically compensates for errors in the reading caused by varying the length of the cable.  |
| <b>Gauge</b>                    | The cable length compensation depends upon the gauge of wire used to extend the cable  |
| <b>Cell Constant</b>            | Do not change unless instructed by the factory. The default value is 6.286   |
| <b>Range</b>                    | Select the range of conductivity that best matches the conditions the sensor will see.   |
| <b>Installation Factor</b>      | Do not change unless instructed by the factory. The default value is 1.000.  |
| <b>Default Temp</b>             | If the temperature signal is lost at any time, then the controller will use the Default Temp setting for temperature compensation.   |
| <b>Temp Comp</b>                | Select between the standard NaCl temperature compensation method or a linear %/degree C method.  |
| <b>Comp Factor</b>              | This menu only appears if Linear Temp Comp is selected. Change the %/degree C to match the chemistry being measured. Standard water is 2%.   |
| <b>Units</b>                    | Select the units of measure for the conductivity.  |
| <b>Name</b>                     | The name used to identify the sensor may be changed.   |
| <b>Type</b>                     | Select the type of sensor to be connected.   |

### 5.2.6 Generic Sensor

#### Settings

Press the Settings key view or change the settings related to the sensor.

|                                 |  |
|---------------------------------|--|
| <b>Alarms</b>                   | Low-Low, Low, High and High-High Alarms limits may be set.   |
| <b>Deadband</b>                 | This is the Alarm Deadband. For example, if the High Alarm is 7.00, and the deadband is 0.1, the alarm will activate at 7.01 and deactivate at 6.90.                           |
| <b>Reset Calibration Values</b> | Enter this menu to reset the sensor calibration back to factory defaults.  |
| <b>Cal Required Alarm</b>       | To get an alarm message as a reminder to calibrate the sensor on a regular schedule, enter the number of days between calibrations. Set it to 0 if no reminders are necessary. |

|                          |   |
|--------------------------|---|
| <b>Alarm Suppression</b> | If any of the relays or digital inputs are selected, any alarms related to this input will be suppressed if the selected relay or digital input is active. Typically this is used to prevent alarms if there is no sample flow past the flow switch digital input.  |
| <b>Smoothing Factor</b>  | Increase the smoothing factor percentage to dampen the response to changes. For example, with a 10% smoothing factor, the next reading shown will consist of an average of 10% of the previous value and 90% of the current value.  |
| <b>Cable Length</b>      | The controller automatically compensates for errors in the reading caused by varying the length of the cable.   |
| <b>Gauge</b>             | The cable length compensation depends upon the gauge of wire used to extend the cable   |
| <b>Units</b>             | The word to be used for units of measure may be entered (ppm, for example)  |
| <b>Electrode</b>         | Select the type of electrode to be connected. Select Linear if the sensor slope is a linear voltage per Units. Select Ion Selective if the electrode voltage output is logarithmic, defined as “mV/decade”.   |
| <b>Sensor Slope</b>      | Enter the slope of sensor in mV/Units (if Electrode selection is Linear) or mV/Decade (if Electrode selection is Ion Selective).  |
| <b>Sensor Offset</b>     | Only appears if the Electrode selection is Linear. Enter the offset of the sensor in mV if 0 mV is not equal to 0 units.<br><b>For Ion Selective Electrodes, the Sensor Offset is not calculated until the first calibration is performed, and the sensor will read Zero until a calibration has been successfully completed!</b> |
| <b>Low Range</b>         | Enter the low end of the range of the sensor  |
| <b>High Range</b>        | Enter the high end of the range of the sensor   |
| <b>Name</b>              | The name used to identify the sensor may be changed.  |
| <b>Type</b>              | Select the type of sensor to be connected.  |

## 5.2.7 Temperature

### Settings

Press the Settings key view or change the settings related to the sensor.

|                                 |  |
|---------------------------------|--|
| <b>Alarms</b>                   | Low-Low, Low, High and High-High Alarms limits may be set.   |
| <b>Deadband</b>                 | This is the Alarm Deadband. For example, if the High Alarm is 100, and the deadband is 1, the alarm will activate at 100 and deactivate at 99.   |
| <b>Reset Calibration Values</b> | Enter this menu to reset the sensor calibration back to factory defaults.  |
| <b>Cal Required Alarm</b>       | To get an alarm message as a reminder to calibrate the sensor on a regular schedule, enter the number of days between calibrations. Set it to 0 if no reminders are necessary.   |
| <b>Alarm Suppression</b>        | If any of the relays or digital inputs are selected, any alarms related to this input will be suppressed if the selected relay or digital input is active.   |
| <b>Smoothing Factor</b>         | Increase the smoothing factor percentage to dampen the response to changes. For example, with a 10% smoothing factor, the next reading shown will consist of an average of 10% of the previous value and 90% of the current value. |
| <b>Name</b>                     | The name used to identify the sensor may be changed.   |
| <b>Element</b>                  | Select the specific type of temperature sensor to be connected.  |

## 5.2.8 DI State

### Input Details

The details for this type of input include the current state with a custom message for open versus closed, alarms, and the status of the interlock.

### Settings

Press the Settings key view or change the settings related to the sensor.

|                     |  |
|---------------------|--|
| <b>Open Message</b> | The words used to describe the switch state may be customized. |
|---------------------|--|

|                          |  |
|--------------------------|--|
| <b>Closed Message</b>    | The words used to describe the switch state may be customized.   |
| <b>Interlock</b>         | Choose whether the input should be in the interlocked state when the switch is either open or closed.  |
| <b>Alarm</b>             | Choose if an alarm should be generated when the switch is open, or closed, or if no alarm should ever be generated.  |
| <b>Alarm Suppression</b> | If any of the relays or digital inputs are selected, any alarms related to this input will be suppressed if the selected relay or digital input is active. |
| <b>Total Time</b>        | Choose to totalize the amount of time that the switch has been open or closed. This will be displayed on the input details screen.                         |
| <b>Reset Total Time</b>  | Enter this menu to reset the accumulated time to zero. Press Confirm to accept, Cancel to leave the total at the previous value and go back.               |
| <b>Name</b>              | The name used to identify the switch may be changed.   |
| <b>Type</b>              | Select the type of sensor to be connected to the digital input channel.  |

### 5.2.9 Flow Meter, Contactor Type

#### Input Details

The details for this type of input include the total volume accumulated through the flow meter and alarms.

#### Settings

Press the Settings key view or change the settings related to the sensor.

|                          |  |
|--------------------------|--|
| <b>Totalizer Alarm</b>   | A high limit on the total volume of water accumulated may be set.  |
| <b>Alarm Suppression</b> | If any of the relays or digital inputs are selected, any alarms related to this input will be suppressed if the selected relay or digital input is active. |
| <b>Reset Flow Total</b>  | Enter this menu to reset the accumulated flow total to 0. Press Confirm to accept, Cancel to leave the total at the previous value and go back.            |
| <b>Set Flow Total</b>    | This menu is used to set the total volume stored in the controller to match the register on the flow meter. Enter the desired value.                       |
| <b>Scheduled Reset</b>   | Choose to automatically reset the flow total, and if so, Daily, Monthly or Annually.   |
| <b>Volume/Contact</b>    | Enter the volume of water that needs to go through the flow meter in order to generate a contact closure.  |
| <b>Flow Units</b>        | Select the units of measure for the water volume.  |
| <b>Name</b>              | The name used to identify the sensor may be changed.   |
| <b>Type</b>              | Select the type of sensor to be connected to the digital input channel.  |

### 5.2.10 Flow Meter, Paddlewheel Type

#### Input Details

The details for this type of input include the current flow rate, total volume accumulated through the flow meter and alarms.

#### Settings

Press the Settings key view or change the settings related to the sensor.

|                          |  |
|--------------------------|--|
| <b>Alarms</b>            | Low and High Alarm limits may be set.  |
| <b>Alarm Suppression</b> | If any of the relays or digital inputs are selected, any alarms related to this input will be suppressed if the selected relay or digital input is active. |
| <b>Deadband</b>          | This is the Alarm Deadband. For example, if the High Alarm is 100, and the deadband is 1, the alarm will activate at 100 and deactivate at 99.             |
| <b>Totalizer Alarm</b>   | A high limit on the total volume of water accumulated may be set.  |

|                         |  |
|-------------------------|--|
| <b>Reset Flow Total</b> | Enter this menu to reset the accumulated flow total to 0. Press Confirm to accept, Cancel to leave the total at the previous value and go back.  |
| <b>Set Flow Total</b>   | This menu is used to set the total volume stored in the controller to match the register on the flow meter. Enter the desired value.   |
| <b>Scheduled Reset</b>  | Choose to automatically reset the flow total, and if so, Daily, Monthly or Annually.   |
| <b>K Factor</b>         | Enter the pulses generated by the paddlewheel per unit volume of water.  |
| <b>Flow Units</b>       | Select the units of measure for the water volume.  |
| <b>Rate Units</b>       | Select the units of measure for the flow rate time base.   |
| <b>Smoothing Factor</b> | Increase the smoothing factor percentage to dampen the response to changes. For example, with a 10% smoothing factor, the next reading shown will consist of an average of 10% of the previous value and 90% of the current value. |
| <b>Name</b>             | The name used to identify the sensor may be changed.   |
| <b>Type</b>             | Select the type of sensor to be connected to the digital input channel.  |

### 5.3 Outputs Menu

Press the key below the Outputs icon to view a list of all relay and analog outputs. The Page Down icon scrolls down the list of outputs, the Page Up icon scrolls up the list of outputs, the Return icon brings back the previous screen.

Press the Enter key with an output highlighted to access that output's details and settings.

NOTE: When the output control mode or the input assigned to that output is changed, the output reverts to OFF mode. Once you have changed all settings to match the new mode or sensor, you must put the output into AUTO mode to start control.

#### 5.3.1 Relay, Any Control Mode

##### Output Details

The details for this type of output include the relay on/off state, HOA mode or Interlock status, accumulated on-time, alarms, current cycle on time and relay type.

##### Settings

Press the Settings key view or change the settings related to the relay. Settings that are available for any control mode include:

|                               |  |
|-------------------------------|--|
| <b>HOA Setting</b>            | Select Hand, Off or Auto mode (see section 4.4).   |
| <b>Output Time Limit</b>      | Enter the maximum amount of time that the relay can be continuously activated. Once the time limit is reached, the relay will deactivate until the Reset Output Timeout menu is entered.       |
| <b>Reset Output Timeout</b>   | Enter this menu to clear an Output Timeout alarm and allow the relay to control the process again.   |
| <b>Interlock Channels</b>     | Select the relays and digital inputs that will interlock this relay, when those other relays are activated in Auto mode. Using Hand or Off to activate relays bypasses the Interlock logic.    |
| <b>Activate With Channels</b> | Select the relays and digital inputs that will activate this relay, when those other relays are activated in Auto mode. Using Hand or Off to activate relays bypasses the Activate With logic. |
| <b>Min Relay Cycle</b>        | This menu allows for the use of a motorized ball valve that needs time to fully open and close. Enter the number of seconds that the valve needs to fully actuate.                             |
| <b>Hand Time Limit</b>        | Enter the amount of time that the relay will activate for when it is in Hand mode.   |
| <b>Reset Time Total</b>       | Press the Confirm icon to reset the total accumulated on-time stored for the output back to 0.   |
| <b>Name</b>                   | The name used to identify the relay may be changed.  |
| <b>Mode</b>                   | Select the desired control mode for the output.  |

### 5.3.2 Relay, On/Off Control Mode

#### Output Details

The details for this type of output include the relay on/off state, HOA mode or Interlock status, accumulated on-time, alarms, current cycle on time and relay type.

#### Settings

Press the Settings key view or change the settings related to the relay.

|                          |   |
|--------------------------|---|
| <b>Set point</b>         | Enter the sensor process value at which the relay will activate.  |
| <b>Deadband</b>          | Enter the sensor process value away from the set point at which the relay will deactivate.  |
| <b>Duty Cycle Period</b> | Using a duty cycle helps to prevent overshooting the set point in applications where the response of the sensor to chemical additions is slow. Specify the amount of time for the cycle, and the percentage of that cycle time that the relay will be active. The relay will be off for the rest of the cycle, even if the set point has not been satisfied.<br>Enter the length of the duty cycle in minutes:seconds in this menu. Set the time to 00:00 if use of a duty cycle is not required. |
| <b>Duty Cycle</b>        | Enter the percentage of the cycle period that the relay will be active. Set the percentage to 100 if use of a duty cycle is not required.   |
| <b>Input</b>             | Select the sensor to be used by this relay.   |
| <b>Direction</b>         | Select the control direction.   |

### 5.3.3 Relay, Alarm Mode

#### Output Details

The details for this type of output include the relay on/off state, HOA mode or Interlock status, accumulated on-time, alarms, current cycle on time and relay type.

#### Settings

Press the Settings key view or change the settings related to the relay.

|                       |   |
|-----------------------|---|
| <b>Alarm Mode</b>     | Select the alarm conditions that will put the relay into the alarm state:<br>All Alarms<br>S1 Low Alarms (+LoLo Alarm, Sensor Range Error, or Sensor Fault)<br>S1 High Alarms (+HiHi Alarm, Sensor Range Error, or Sensor Fault)<br>S2 (Temperature) Low Alarms (+LoLo Alarm, Sensor Range Error, or Sensor Fault)<br>S2 (Temperature) High Alarms (+HiHi Alarm, Sensor Range Error, or Sensor Fault)<br>D1 Alarms (Flowswitch/State, Flow Total, Flowmeter Range)<br>D2 Alarms (Flowswitch/State, Flow Total, Flowmeter Range)<br>Relay Alarms (Output Timeout, Control Failure, Event Skipped) for ALL relays |
| <b>On Delay Time</b>  | Enter the delay time for relay activation in hours:minutes:seconds. Set the time to 00:00:00 to immediately activate the relay.   |
| <b>Off Delay Time</b> | Enter the delay time for relay deactivation in hours:minutes:seconds. Set the time to 00:00:00 to immediately deactivate the relay.   |
| <b>Output</b>         | Select if the relay will be active when in the alarm state (Normally Open) or if the relay will be active when not in the alarm state (Normally Closed).  |

### 5.3.4 Relay, Time Proportional Control Mode

#### Output Details

The details for this type of output include the relay on/off state, HOA mode or Interlock status, accumulated on-time, alarms, current cycle on time and relay type.

## Settings

Press the Settings key view or change the settings related to the relay.

|                          |   |
|--------------------------|---|
| <b>Set point</b>         | Enter the sensor process value at which the relay will be off for the entire Sample Period.   |
| <b>Proportional Band</b> | Enter the distance that the sensor process value is away from the set point at which the relay will be on for the entire Sample Period. |
| <b>Sample Period</b>     | Enter the duration of the sample period.  |
| <b>Input</b>             | Select the sensor to be used by this relay.   |
| <b>Direction</b>         | Select the control direction.   |

### 5.3.5 Relay, Pulse Proportional Control Mode

ONLY AVAILABLE IF W120 MODEL/POWER RELAY BOARD IS INSTALLED

#### Output Details

The details for this type of output include the relay pulse rate, HOA mode or Interlock status, accumulated on-time, alarms, current cycle on time and relay type.

## Settings

Press the Settings key view or change the settings related to the relay.

|                          |  |
|--------------------------|--|
| <b>Set point</b>         | Enter the sensor process value at which the output will pulse at the Minimum Output % set below.   |
| <b>Proportional Band</b> | Enter the distance that the sensor process value is away from the set point beyond which the output will be pulsing at the Maximum Output % set below. |
| <b>Minimum Output</b>    | Enter the lowest possible pulse rate as a percentage of the Maximum Stroke Rate set below (normally 0%).   |
| <b>Maximum Output</b>    | Enter the highest possible pulse rate as a percentage of the Maximum Stroke Rate set below.  |
| <b>Maximum Rate</b>      | Enter the maximum pulse rate that the metering pump is designed to accept (10 - 2400 pulse/minute range).  |
| <b>Input</b>             | Select the sensor to be used by this relay.  |
| <b>Direction</b>         | Set the control direction.   |

### 5.3.6 Relay, PID Control Mode

ONLY AVAILABLE IF CONTROLLER INCLUDES PULSE OUTPUT HARDWARE & HVAC MODE IS DISABLED

The PID algorithm controls a solid state relay using standard Proportional-Integral-Derivative control logic. The algorithm provides feedback control based on an error value continuously calculated as the difference between a measured process variable and a desired set point. Tuning settings specify the response for proportional (the size of the error), integral (the time that the error has been present), and derivative (the rate of change for the error) parameters. With proper tuning, the PID control algorithm can hold the process value close the set point while minimizing overshoot and undershoot.

#### Normalized Error

The error value versus set point that is calculated by the controller is normalized and represented as percent of full scale. As a result, tuning parameters entered by the user are not dependent upon the scale of the process variable and the PID response with similar settings will be more consistent even when using different types of sensor inputs.

The scale used to normalize the error is dependent upon the type of sensor selected. By default, the full nominal range of the sensor is used. This range is editable by the user if tighter control is desired.

#### PID Equation Formats

The controller supports two different forms of the PID equation as specified by the Gain Form setting. The two forms require different units for entry of the PID tuning parameters.

#### Standard

The standard form is more commonly used in industry because its time-based settings for the integral and derivative coefficients are more meaningful. This form is selected by default.

| Parameter | Description     | Units                     |
|-----------|-----------------|---------------------------|
| $K_p$     | Gain            | unitless                  |
| $T_i$     | Integral Time   | seconds or seconds/repeat |
| $T_d$     | Derivative Time | seconds                   |

$$Output (\%) = K_p \left[ e(t) + \frac{1}{T_i} \int e(t)dt + T_d \frac{de(t)}{dt} \right]$$

| Parameter | Description                                       | Units           |
|-----------|---|-----------------|
| $e(t)$    | Current Error                                     | % of full scale |
| $dt$      | Delta Time Between Readings                       | seconds         |
| $de(t)$   | Difference Between Current Error & Previous Error | % of full scale |

### Parallel

The parallel form allows the user to enter all parameters as Gains. In all cases, larger gain values result in faster output response.

| Parameter | Description       | Units     |
|-----------|-------------------|-----------|
| $K_p$     | Proportional Gain | unitless  |
| $K_i$     | Integral Gain     | 1/seconds |
| $K_d$     | Derivative Gain   | seconds   |

$$Output (\%) = K_p e(t) + K_i \int e(t)dt + K_d \frac{de(t)}{dt}$$

### Integral Value Management

To determine the integral component of the PID calculation, the controller software must maintain a running total of the accumulated area under the error curve (Current Integral). The sign of the value added to the accumulated Current Integral during each cycle may be positive or negative based on the current Direction setting as well as the relative values of the current process reading and the set point.

### Override Control

The Current Integral accumulates when the output is set to Auto mode. If the controller is switched to Off mode, the value no longer accumulates, but it is not cleared. Therefore, PID control will resume where it left off if the controller is switched from Off back to Auto. Similarly, accumulation of the Control Integral will be suspended if the output is interlocked and resume after the lock-out is removed.

### Bumpless Transfer

When the output is switched from Hand to Auto mode, the controller calculates a value for the Current Integral using the current error to generate the same output percent as the Hand Output setting. This calculation does not use the Derivative tuning setting to minimize errors from momentary fluctuations in the input signal. This feature ensures a smooth transition from manual to automatic control with minimal overshoot or undershoot as long as the user sets the Hand Output percentage close to the value that the process is expected to require for optimal control in Auto mode.

### Wind-up Suppression

The Current Integral value that is accumulating while the output is set to Auto can become very large or very small if the process value remains on the same side of the set point for a prolonged period of time. However, the controller may not be able to continue to respond if its output is already set to the minimum or maximum limits (0-100%

by default). This condition is referred to as Control Wind-Up and can result severe overshoot or undershoot after a prolonged upset has ended.

For example, if the process value remains far below the set point despite a control output being pinned at 100%, the Current Integral will continue to accumulate errors (wind-up). When the process value finally rises to above the set point, negative errors will begin to decrease the Current Integral value. However, the value may remain large enough to keep the output at 100% long after the set point is satisfied. The controller will overshoot the set point and the process value will continue to rise.

To optimize system recovery after wind-up situations, the controller suppresses updates to the Current Integral that would drive the output beyond its minimum or maximum limit. Ideally, the PID parameters will be tuned and the control elements (pump, valves, etc.) will be sized properly so that the output never reaches its minimum or maximum limit during normal control operations. But with this wind-up suppression feature, overshoot will be minimized should that situation occur.

### Output Details

The details for this type of output include the pulse rate in %, HOA mode or Interlock status, input value, current integral, current and accumulated on-times, alarms related to this output, relay type, and the current control mode setting.

|                           |   |
|---------------------------|---|
| <b>Set Point</b>          | Numeric entry of a process value used as a target for PID control. The default value, units and display format (number of decimal places) used during data entry are defined based on the Input channel setting selected.                         |
| <b>Gain</b>               | When the Gain Form setting is Standard, this unitless value is multiplied by the total of the proportional, integral, and derivative terms to determine the calculated output percent.  |
| <b>Proportional Gain</b>  | When the Gain Form setting is Parallel, this unitless value is multiplied by the normalized error (current process value versus set point) to determine the proportional component of the calculated output percent.                              |
| <b>Integral Time</b>      | When the Gain Form setting is Standard, this value is divided into the integral of the normalized error (area under the error curve), then multiplied by the Gain to determine the integral component of the calculated output percent.           |
| <b>Integral Gain</b>      | When the Gain Form setting is Parallel, this value is multiplied by the integral of the normalized error (area under the error curve) to determine the integral component of the calculated output percent.                                       |
| <b>Derivative Time</b>    | When the Gain Form setting is Standard, this value is multiplied by the change in error between the current reading and the previous reading, then multiplied by the Gain to determine the derivative component of the calculated output percent. |
| <b>Derivative Gain</b>    | When the Gain Form setting is Parallel, this value is multiplied by the change in error between the current reading and the previous reading to determine the derivative component of the calculated output percent.                              |
| <b>Reset PID Integral</b> | The PID Integral Value is a running total of the accumulated area under the error curve (Current Integral). When this menu option is selected, this total is set to zero and the PID algorithm is reset to its initial state.                     |
| <b>Minimum Output</b>     | Enter the lowest possible pulse rate as a percentage of the Maximum Stroke Rate set below (normally 0%).  |
| <b>Maximum Output</b>     | Enter the highest possible pulse rate as a percentage of the Maximum Stroke Rate set below.   |
| <b>Maximum Rate</b>       | Enter the maximum pulse rate that the metering pump is designed to accept (10 – 2400 pulse/minute range).   |
| <b>Input</b>              | Select the sensor to be used by this relay  |
| <b>Direction</b>          | Set the control direction. This setting is used to determine the sign of the calculated error (current process value versus set point) and allows flexible control with only positive values for all PID tuning parameters.                       |

|                      |   |
|----------------------|---|
| <b>Input Minimum</b> | The low end of the sensor input range, used to normalize errors into percent of full scale units. These values are set to the nominal range of the selected input sensor by default.  |
| <b>Input Maximum</b> | The high end of the sensor input range, used to normalize errors into percent of full scale units. These values are set to the nominal range of the selected input sensor by default. |
| <b>Gain Form</b>     | Select the PID Equation Format used to enter tuning parameters.   |

### 5.3.7 Relay, Dual Set Point Mode

#### Output Details

The details for this type of output include the relay on/off state, HOA mode or Interlock status, accumulated on-time, alarms, current cycle on time and relay type.

#### Settings

Press the Settings key view or change the settings related to the relay.

|                          |   |
|--------------------------|---|
| <b>Set point</b>         | Enter the first sensor process value at which the relay will activate.  |
| <b>Set point 2</b>       | Enter the second sensor process value at which the relay will activate.   |
| <b>Deadband</b>          | Enter the sensor process value away from the set point at which the relay will deactivate.  |
| <b>Duty Cycle Period</b> | Using a duty cycle helps to prevent overshooting the set point in applications where the response of the sensor to chemical additions is slow. Specify the amount of time for the cycle, and the percentage of that cycle time that the relay will be active. The relay will be off for the rest of the cycle, even if the set point has not been satisfied.<br>Enter the length of the duty cycle in minutes:seconds in this menu. Set the time to 00:00 if use of a duty cycle is not required. |
| <b>Duty Cycle</b>        | Enter the percentage of the cycle period that the relay will be active. Set the percentage to 100 if use of a duty cycle is not required.   |
| <b>Input</b>             | Select the sensor to be used by this relay.   |
| <b>Direction</b>         | Select the control direction. In Range will activate the relay when the input reading is between the two set points. Out of Range will activate the relay when the input reading is outside the two set points.   |

### 5.3.8 Relay or Analog Output, Manual Mode

#### Output Details

The details for this type of output include the relay on/off state or analog output %, HOA mode or Interlock status, accumulated on-time, alarms, current cycle on time and relay type.

#### Settings

A Manual relay will activate if the HOA mode is Hand, or if it is Activated With another channel. There are no additional programmable parameters.

### 5.3.9 Relay, Flow Timer Control Mode

#### Output Details

The details for this type of output include the relay on/off state, HOA mode or Interlock status, accumulated on-time, alarms, current cycle on time and relay type.

#### Settings

Press the Settings key view or change the settings related to the relay.

|                           |  |
|---------------------------|--|
| <b>Feed Duration</b>      | Enter the amount of time for the relay to activate for once the accumulated volume through the water meter has been reached. |
| <b>Accumulated Volume</b> | Enter the volume of water to pass through the water meter required to trigger the chemical feed.                             |
| <b>Input</b>              | Select the input to be used to control this output.  |
| <b>Reset Timer</b>        | Use this menu to cancel the current feed cycle.  |

### 5.3.10 Relay, Percent Timer Control Mode

#### Output Details

The details for this type of output include the relay on/off state, HOA mode or Interlock status, cycle time, accumulated on-time, alarms, current cycle on time and relay type.

#### Settings

Press the Settings key view or change the settings related to the relay.

|                        |   |
|------------------------|---|
| <b>Sample Period</b>   | Enter the duration of the sample period.  |
| <b>Feed Percentage</b> | Enter the % of the sample period time to use for the feed relay activation time |

### 5.3.11 Relay, Timer Control Mode

ONLY AVAILABLE IF HVAC MODES ARE DISABLED IN CONFIG MENU – GLOBAL SETTINGS

#### Basic Timer Operation

When a timer event triggers the algorithm will activate the relay for the programmed time.

#### Special Condition Handling

##### Overlapping timer events

If a second timer event occurs while the first one is still active, the second event will be ignored. An Event Skipped alarm will be set.

##### Interlock Conditions

Interlocks override the relay control, but do not change the operation of the timer control.

A digital input or output interlock condition does not delay the relay activation. The relay activation duration timer will continue even if the relay is deactivated due to an interlock condition. This will prevent delayed events which can potentially cause problems in they do not occur at the correct time.

##### “Activate With” Conditions

“Activate with channels” settings override the relay control, but do not change the operation of the timer control. The relay activation duration timer continues counting when the timer relay is forced on, and ends at the expected time (event start time plus duration). If the “activate with” condition continues after the end of the event time, the relay remains activated.

##### Alarms

An Event Skipped alarm is set when a second timer event occurs while one event is still running.

An Event Skipped alarm is also set when the timer relay never turns on during an event because of an interlock condition.

The alarm is cleared when the relay is next activated for any reason (the next timer event or HAND mode or “activate with” force on condition).

#### Output Details

The details for this type of output include the relay on/off state, HOA mode or Interlock status, accumulated on-time and alarms. The current week number and day of the week is displayed (even if there is no multi-week repetition event programmed). Cycle Time shows the time counting down of the currently active part of the cycle.

#### Settings

Press the Settings key view or change the settings related to the relay.

|                             |  |
|-----------------------------|--|
| <b>Event 1 (through 10)</b> | Enter these menus to program timer events via the menus below: |
|-----------------------------|--|

|                       |   |
|-----------------------|---|
| <b>Repetition</b>     | Select the time cycle to repeat the event: Hourly, Daily, 1 Week, 2 Week, 4 Week, or None. An event means that the output is turned on at the same time of day, for the same amount of time, and except for the Daily cycle, on the same day of the week. |
| <b>Week</b>           | Only appears if Repetition is longer than 1 Week. Select the week during which the event will occur.  |
| <b>Day</b>            | Only appears if Repetition is longer than Daily. Select the day of the week during which the event will occur.  |
| <b>Events Per Day</b> | Only appears if Repetition is Hourly. Select the number of events per day. The events occur on the Start Time and then evenly spaced throughout the day.  |
| <b>Start Time</b>     | Enter the time of day to start the event.   |
| <b>Duration</b>       | Enter the amount of time that the relay will be on.   |

### 5.3.12 Relay, Probe Wash Control Mode

#### Basic Timer Operation

When a Probe Wash event triggers, the algorithm will activate the relay for the programmed time. The relay will activate a pump or valve to supply a cleaning solution to the sensor or sensors. The output of the selected sensors will either be held or disabled during the cleaning cycle, and for a programmable hold time after the cleaning cycle.

#### Special Condition Handling

##### Overlapping timer events

If a second timer event occurs while the first one is still active, the second event will be ignored. An Event Skipped alarm will be set.

##### Interlock Conditions

Interlocks override the relay control, but do not change the operation of the timer control.

A digital input or output interlock condition does not delay the relay activation. The relay activation duration timer will continue even if the relay is deactivated due to an interlock condition. This will prevent delayed events which can potentially cause problems in they do not occur at the correct time.

##### “Activate With” Conditions

“Activate with channels” settings override the relay control, but do not change the operation of the timer control. The relay activation duration timer continues counting when the timer relay is forced on, and ends at the expected time (event start time plus duration). If the “activate with” condition continues after the end of the event time, the relay remains activated.

##### Alarms

An Event Skipped alarm is set when a second timer event occurs while one event is still running.

An Event Skipped alarm is also set when the timer relay never turns on during an event because of an interlock condition.

The alarm is cleared when the relay is next activated for any reason (the next timer event or HAND mode or “activate with” force on condition).

#### Output Details

The details for this type of output include the relay on/off state, HOA mode or Interlock status, accumulated on-time, alarms, current cycle on time and relay type.

The current week number and day of the week is displayed (even if there is no multi-week repetition event programmed). Cycle Time shows the time counting down of the currently active part of the cycle.

#### Settings

Press the Settings key view or change the settings related to the relay.

|                             |   |
|-----------------------------|---|
| <b>Event 1 (through 10)</b> | Enter these menus to program timer events via the menus below:  |
| <b>Repetition</b>           | Select the time cycle to repeat the event: Hourly, Daily, 1 Week, 2 Week, 4 Week, or None. An event means that the output is turned on at the same time of day, for the same amount of time, and except for the Daily cycle, on the same day of the week. |

|                       |   |
|-----------------------|---|
| <b>Week</b>           | Only appears if Repetition is longer than 1 Week. Select the week during which the event will occur.  |
| <b>Day</b>            | Only appears if Repetition is longer than Daily. Select the day of the week during which the event will occur.  |
| <b>Events Per Day</b> | Only appears if Repetition is Hourly. Select the number of events per day. The events occur on the Start Time and then evenly spaced throughout the day.  |
| <b>Start Time</b>     | Enter the time of day to start the event.   |
| <b>Duration</b>       | Enter the amount of time that the relay will be on.   |
| <b>Input</b>          | Select the sensor that will be washed.  |
| <b>Input 2</b>        | Select the second sensor, if applicable, that will be washed.   |
| <b>Sensor Mode</b>    | Select the effect that the probe wash event will have on any control outputs that use the sensor(s) being washed. The options are to either Disable the sensor readings (turn the control output off) or Hold the sensor reading at the last valid sensor reading prior to the start of the probe wash event. |
| <b>Hold Time</b>      | Enter the amount of time needed to hold the sensor reading after the event has finished, in order for the wash solution to be replaced by process solution.   |

### 5.3.13 Analog Output, Retransmit Mode

#### Output Details

The details for this type of output include the output %, HOA mode or Interlock status, accumulated on-time, alarms, current cycle on time and relay type.

#### Settings

Press the Settings key view or change the settings related to the analog output.

|                    |   |
|--------------------|---|
| <b>4 mA Value</b>  | Enter the process value to correspond to a 4 mA output signal.  |
| <b>20 mA Value</b> | Enter the process value to correspond to a 20 mA output signal. |
| <b>Hand Output</b> | Enter the output % desired when the output is in Hand mode.     |
| <b>Input</b>       | Select the sensor input to retransmit.                          |

### 5.3.14 Analog Output, Proportional Control Mode

#### Output Details

The details for this type of output include the output %, HOA mode or Interlock status, accumulated on-time, alarms, current cycle on time and relay type.

#### Settings

Press the Settings key view or change the settings related to the analog output.

|                          |   |
|--------------------------|---|
| <b>Set point</b>         | Enter the sensor process value at which the output % will be the programmed minimum %.  |
| <b>Proportional Band</b> | Enter the sensor process value away from the set point at which the output % will be the programmed maximum %.  |
| <b>Minimum Output</b>    | Enter the lowest output %. If the output should be off at the set point, this will be 0%.   |
| <b>Maximum Output</b>    | Enter the highest output %.   |
| <b>Hand Output</b>       | Enter the output % desired when the output is in Hand mode.   |
| <b>Input</b>             | Select the sensor input to use for proportional control.  |
| <b>Direction</b>         | Select the control direction.   |
| <b>Off Mode Output</b>   | Enter the output mA value desired when the output is in Off mode, or being Interlocked, or during a calibration of the sensor being used as an input. The acceptable range is 0 to 21 mA. |

|                     |   |
|---------------------|---|
| <b>Error Output</b> | Enter the output mA desired when the sensor is not giving the controller a valid signal.<br>The acceptable range is 0 to 21 mA. |
|---------------------|---|

### 5.3.15 Analog Output, PID Control Mode

ONLY AVAILABLE IF CONTROLLER INCLUDES ANALOG OUTPUT HARDWARE & HVAC MODE IS DISABLED

The PID algorithm controls an analog (4-20 mA) output using standard Proportional-Integral-Derivative control logic. The algorithm provides feedback control based on an error value continuously calculated as the difference between a measured process variable and a desired set point. Tuning settings specify the response for proportional (the size of the error), integral (the time that the error has been present), and derivative (the rate of change for the error) parameters. With proper tuning, the PID control algorithm can hold the process value close the set point while minimizing overshoot and undershoot.

#### Normalized Error

The error value versus set point that is calculated by the controller is normalized and represented as percent of full scale. As a result, tuning parameters entered by the user are not dependent upon the scale of the process variable and the PID response with similar settings will be more consistent even when using different types of sensor inputs.

The scale used to normalize the error is dependent upon the type of sensor selected. By default, the full nominal range of the sensor is used. This range is editable by the user if tighter control is desired.

#### PID Equation Formats

The controller supports two different forms of the PID equation as specified by the Gain Form setting. The two forms require different units for entry of the PID tuning parameters.

#### Standard

The standard form is more commonly used in industry because its time-based settings for the integral and derivative coefficients are more meaningful. This form is selected by default.

| Parameter | Description     | Units                     |
|-----------|-----------------|---------------------------|
| $K_p$     | Gain            | unitless                  |
| $T_i$     | Integral Time   | seconds or seconds/repeat |
| $T_d$     | Derivative Time | seconds                   |

$$Output (\%) = K_p \left[ e(t) + \frac{I}{T_i} \int e(t)dt + T_d \frac{de(t)}{dt} \right]$$

| Parameter | Description                                       | Units           |
|-----------|---|-----------------|
| $e(t)$    | Current Error                                     | % of full scale |
| $dt$      | Delta Time Between Readings                       | seconds         |
| $de(t)$   | Difference Between Current Error & Previous Error | % of full scale |

#### Parallel

The parallel form allows the user to enter all parameters as Gains. In all cases, larger gain values result in faster output response. This form is used in the WebMaster controller and is used internally by the Control Module.

| Parameter | Description       | Units      |
|-----------|-------------------|------------|
| $K_p$     | Proportional Gain | unitless   |
| $K_i$     | Integral Gain     | 1/ seconds |

|       |                 |         |
|-------|-----------------|---------|
| $K_d$ | Derivative Gain | seconds |
|-------|-----------------|---------|

$$\text{Output (\%)} = K_p e(t) + K_i \int e(t)dt + K_d \frac{de(t)}{dt}$$

### Integral Value Management

To determine the integral component of the PID calculation, the controller software must maintain a running total of the accumulated area under the error curve (Current Integral). The sign of the value added to the accumulated Current Integral during each cycle may be positive or negative based on the current Direction setting as well as the relative values of the current process reading and the set point.

### Override Control

The Current Integral accumulates when the output is set to Auto mode. If the controller is switched to Off mode, the value no longer accumulates, but it is not cleared. Therefore, PID control will resume where it left off if the controller is switched from Off back to Auto. Similarly, accumulation of the Control Integral will be suspended if the output is interlocked and resume after the lock-out is removed.

### Bumpless Transfer

When the output is switched from Hand to Auto mode, the controller calculates a value for the Current Integral using the current error to generate the same output percent as the Hand Output setting. This calculation does not use the Derivative tuning setting to minimize errors from momentary fluctuations in the input signal. This feature ensures a smooth transition from manual to automatic control with minimal overshoot or undershoot as long as the user sets the Hand Output percentage close to the value that the process is expected to require for optimal control in Auto mode.

### Wind-up Suppression

The Current Integral value that is accumulating while the output is set to Auto can become very large or very small if the process value remains on the same side of the set point for a prolonged period of time. However, the controller may not be able to continue to respond if its output is already set to the minimum or maximum limits (0-100% by default). This condition is referred to as Control Wind-Up and can result severe overshoot or undershoot after a prolonged upset has ended.

For example, if the process value remains far below the set point despite a control output being pinned at 100%, the Current Integral will continue to accumulate errors (wind-up). When the process value finally rises to above the set point, negative errors will begin to decrease the Current Integral value. However, the value may remain large enough to keep the output at 100% long after the set point is satisfied. The controller will overshoot the set point and the process value will continue to rise.

To optimize system recovery after wind-up situations, the controller suppresses updates to the Current Integral that would drive the output beyond its minimum or maximum limit. Ideally, the PID parameters will be tuned and the control elements (pump, valves, etc.) will be sized properly so that the output never reaches its minimum or maximum limit during normal control operations. But with this wind-up suppression feature, overshoot will be minimized should that situation occur.

### Output Details

The details for this type of output include the analog output value in %, HOA mode or Interlock status, input value, current integral, current and accumulated on-times, alarms related to this output, and the current control mode setting.

|                          |   |
|--------------------------|---|
| <b>Set Point</b>         | Numeric entry of a process value used as a target for PID control. The default value, units and display format (number of decimal places) used during data entry are defined based on the Input channel setting selected. |
| <b>Gain</b>              | When the Gain Form setting is Standard, this unitless value is multiplied by the total of the proportional, integral, and derivative terms to determine the calculated output percent.                                    |
| <b>Proportional Gain</b> | When the Gain Form setting is Parallel, this unitless value is multiplied by the normalized error (current process value versus set point) to determine the proportional component of the calculated output percent.      |

|                           |   |
|---------------------------|---|
| <b>Integral Time</b>      | When the Gain Form setting is Standard, this value is divided into the integral of the normalized error (area under the error curve), then multiplied by the Gain to determine the integral component of the calculated output percent.   |
| <b>Integral Gain</b>      | When the Gain Form setting is Parallel, this value is multiplied by the integral of the normalized error (area under the error curve) to determine the integral component of the calculated output percent.   |
| <b>Derivative Time</b>    | When the Gain Form setting is Standard, this value is multiplied by the change in error between the current reading and the previous reading, then multiplied by the Gain to determine the derivative component of the calculated output percent.   |
| <b>Derivative Gain</b>    | When the Gain Form setting is Parallel, this value is multiplied by the change in error between the current reading and the previous reading to determine the derivative component of the calculated output percent.  |
| <b>Reset PID Integral</b> | The PID Integral Value is a running total of the accumulated area under the error curve (Current Integral). When this menu option is selected, this total is set to zero and the PID algorithm is reset to its initial state.   |
| <b>Minimum Output</b>     | Enter the lowest possible output value (normally 0%).   |
| <b>Maximum Output</b>     | Enter the highest possible output value as a percentage.  |
| <b>Off Mode Output</b>    | Enter the output mA value desired when the output is in Off mode, or being Interlocked, or if the Output Time Limit has expired, or during a calibration of the sensor being used as an input. Also if there is a Probe Wash programmed for the sensor, and the Sensor Mode option is set to Disable the output during the Wash cycle (if the Sensor Mode option is set to Hold the output holds its last setting and the Integral is not updated during the Wash). The acceptable range is 0 to 21 mA. |
| <b>Error Output</b>       | Enter the output mA desired when the sensor is not giving the controller a valid signal. The acceptable range is 0 to 21 mA.  |
| <b>Input</b>              | Select the sensor to be used by this output.  |
| <b>Direction</b>          | Set the control direction. This setting is used to determine the sign of the calculated error (current process value versus set point) and allows flexible control with only positive values for all PID tuning parameters.   |
| <b>Input Minimum</b>      | The low end of the sensor input range, used to normalize errors into percent of full scale units. These values are set to the nominal range of the selected input sensor by default.  |
| <b>Input Maximum</b>      | The high end of the sensor input range, used to normalize errors into percent of full scale units. These values are set to the nominal range of the selected input sensor by default.   |
| <b>Gain Form</b>          | Select the PID Equation Format used to enter tuning parameters.   |

### 5.3.16 Analog Output, Flow Proportional Mode

#### Overview

In Flow Proportional control mode, the controller monitors the rate of flow through an analog or digital flow meter, and continuously adjusts the analog (4-20 mA) output proportional band to achieve a target PPM level.

The user enters the target PPM and the data necessary to calculate the proportional band (the water flow rate at which the maximum pulse rate will occur) required to maintain the target PPM with that flow rate of water.

$$\% \text{ output} = \frac{\text{Target PPM} \times \text{Water Flow Rate (liter/min or gal/min)}}{\text{Pump Capacity (liter or gal/hr)} \times \text{Pump Setting (\%)} \times \text{Specific Gravity} \times 166.67}$$

$$\% \text{ output} = \frac{\text{Target PPM} \times \text{Water Flow Rate (m}^3\text{/min)}}{\text{Pump Capacity (liter/hr)} \times \text{Pump Setting (\%)} \times \text{Specific Gravity} \times 0.16667}$$

## Control Operation

If the output is continuously on for longer than the Output Time Limit, then output will deactivate.

## Output Details

The details for this type of output include the output %, HOA mode or Interlock status, alarms related to this output, current cycle on time, total accumulated on-time, cycles of concentration, mA output, and the current control mode setting.

## Settings

Touch the Settings icon to view or change the settings related to the relay.

|                         |   |
|-------------------------|---|
| <b>Target</b>           | Enter the desired PPM set point for the product.  |
| <b>Pump Capacity</b>    | Enter the maximum flow rate for the metering pump.  |
| <b>Pump Setting</b>     | Enter the stroke length setting for the metering pump, in percent.  |
| <b>Specific Gravity</b> | Enter the specific gravity of the product to be added.  |
| <b>Hand Output</b>      | Enter the output % desired when the output is in Hand mode.   |
| <b>Off Mode Output</b>  | Enter the output mA value desired when the output is in Off mode, or being Interlocked, or during a calibration of the sensor being used as an input. The acceptable range is 0 to 21 mA. |
| <b>Error Output</b>     | Enter the output mA desired when the sensor is not giving the controller a valid signal. The acceptable range is 0 to 21 mA.  |
| <b>Flow Input</b>       | Select the flow meter to be used as an input for this control relay.  |

## 5.4 Config Menu

### Settings Menu

The configuration Settings Menu is used for settings and activities that are not tied to Inputs or Outputs.

#### 5.4.1 Global Settings

|                          |   |
|--------------------------|---|
| <b>Date</b>              | Enter the current year, month and day.  |
| <b>Time</b>              | Enter the current hour (military time), minute, and second.   |
| <b>Global Units</b>      | Select the units to be used for cable length and wire gauge settings, metric or Imperial.   |
| <b>Temperature Units</b> | Select between Fahrenheit and Celsius.  |
| <b>Alarm Delay</b>       | Enter how much time to wait after powering up the controller before alarm conditions are considered valid.  |
| <b>HVAC Modes</b>        | Enable HVAC modes for cooling tower and boiler applications where the relay control modes for Biocide timer, Bleed and Feed, Bleed then Feed, and Intermittent Sampling are required. Disable HVAC Modes if these control modes are not necessary and a more generic timer control mode will replace the Biocide timer. |
| <b>Language</b>          | Select the language the software will use   |

#### 5.4.2 Security Settings

|                           |  |
|---------------------------|--|
| <b>Controller Log Out</b> | When Security is Enabled, and after the password has been entered, the controller requires immediate use of a password to calibrate or change settings. Once finished making changes, log out to prevent unauthorized changes by someone else. If not manually logged out, the controller will automatically log out after 10 minutes of inactivity. |
| <b>Security</b>           | Select Enable to require a password in order to calibrate or change settings, or Disable to allow calibration and set point changes without a password. In order to Enable security, the default password must be entered first, then select Enable, then press the Confirm key.   |

|                       |   |
|-----------------------|---|
| <b>Local Password</b> | Used to change the password needed for full configuration capability if Security has been enabled. The default local password is 5555. This can and should be changed using this menu if Security is enabled. |
|-----------------------|---|

### 5.4.3 Display Settings

|                       |   |
|-----------------------|---|
| <b>Home 1</b>         | Select the input or output to display on the 1 <sup>st</sup> line of the display Home screen.   |
| <b>Home 2</b>         | Select the input or output to display on the 2 <sup>nd</sup> line of the display Home screen.   |
| <b>Adjust Display</b> | Change the contrast using the arrow keys. If the display becomes unreadable, it is possible to reset the defaults by powering down and pressing the bottom right button while powering back on. |
| <b>Key Beep</b>       | Select enable to hear a beep when a key is pressed, or disable for silence  |

### 5.4.4 File Utilities

|                                |   |
|--------------------------------|---|
| <b>File Transfer Status</b>    | Displays the status of the last attempt to export a file  |
| <b>Export Event Log</b>        | Save the Event Log file to a USB stick. This records set point changes, user calibrations, alarms, relay state changes, file exports, etc.  |
| <b>Import User Config File</b> | Remove power from the controller and insert a USB stick that contains the settings that you want to import to this controller (see Export User Config file below). Press the Enter key and then press the Confirm key to transfer those settings to this controller.  |
| <b>Export User Config File</b> | The User Configuration file contains all settings for the controller. Enter this menu to save the controller's settings to a USB stick for using later to restore settings to this controller, or to program additional controllers with the same settings as this one. It takes several minutes to create the file and transfer it to the stick. Remove power from the controller and insert a USB stick. Press the Enter key and then press the Confirm key to transfer a file containing the controller's settings to the USB stick. |
| <b>Export System Log</b>       | Save the System Log file to a USB stick. This records hardware changes, software upgrades, automatic calibrations, power loss, system-level issues, etc.  |
| <b>Restore Default Config</b>  | Enter this menu to restore all of the settings to the factory default values. Any changes to settings that were previously made will be lost!   |
| <b>Software Upgrade</b>        | Remove power from the controller and insert an USB stick that has the upgrade file stored in the root directory into USB connector (see figure 5). Restore power, press the Enter key from the software upgrade menu, and then press the Confirm key to start the upgrade.  |

NOTE: Remove power before inserting or removing the USB stick!

### 5.4.5 Controller Details

|                         |   |
|-------------------------|---|
| <b>Controller</b>       | Displays the name for the group of default settings used as built   |
| <b>Product Name</b>     | Displays the model of the controller as built   |
| <b>Control Board</b>    | Displays the revision number of the front panel circuit board   |
| <b>Software Version</b> | Displays the software version on the control board  |
| <b>Sensor Board</b>     | Displays the revision number of the sensor board  |
| <b>Software Version</b> | Displays the software version on the sensor board   |
| <b>Power Board</b>      | Displays the revision number of the power/relay board   |
| <b>Battery Power</b>    | Displays the VDC output of the battery that is used to hold the date and time. The acceptable range is 2.4-3.2 VDC. |
| <b>Processor Temp</b>   | Displays the temperature of the main processor. The acceptable range is -10 to 65 C.                                |
| <b>Sensor Temp</b>      | Displays the temperature of the sensor input processor. The acceptable range is -10 to 65 C.                        |

## 6.0 MAINTENANCE

---

The controller itself requires very little maintenance. Wipe with a damp cloth. Do not spray down the controller unless the enclosure door is closed and latched.

### 6.1 Replacing the Fuse



**CAUTION:** Disconnect power to the controller before opening front panel!

Models that include powered relays have a fuse to protect the controller from devices connected to the relays that draw excessive current. Locate the fuse on the circuit board at the back of the controller enclosure, underneath the clear cover. (See figure 5.) Gently remove the old fuse from its retaining clip and discard. Press the new fuse into the clip, replace the clear cover, secure the front panel of the controller and return power to the unit.

Warning: Use of non-approved fuses can affect product safety approvals. Specifications are shown below. To insure product safety certifications are maintained, it is recommended that a Walchem fuse be used.

| F1 Fuse               | Walchem P/N |
|-----------------------|-------------|
| 5 x 20 mm, 6.3A, 250V | 102834      |

## 7.0 TROUBLESHOOTING

---



**CAUTION:** Disconnect power to the controller before opening front panel!

Troubleshooting and repair of a malfunctioning controller should only be attempted by qualified personnel using caution to ensure safety and limit unnecessary further damage. Contact the factory.

### 7.1 Calibration Failure

Calibrations will fail if the adjustments to the reading are outside of the normal range for a properly functioning system. Refer to the instruction manual for the specific sensor being used for further information.

#### 7.1.1 Contacting Conductivity Sensors

The calibration will fail if the adjustment to the gain is outside of 0.5 to 2.0.

| Possible Cause                               | Corrective Action   |
|--|---|
| Dirty electrode                              | Clean electrode   |
| Improper wiring of sensor to controller      | Correct wiring  |
| Wrong cell constant entered                  | Program the controller cell constant setting at the value that matches the electrode being used |
| Incorrect temperature reading or setting     | Ensure that the temperature is accurate   |
| Incorrect cable length or wire gauge setting | Set to the correct values   |
| Faulty electrode                             | Replace electrode   |

#### 7.1.2 Electrodeless Conductivity Sensors

The calibration will fail if the adjustment to the gain is outside of 0.2 to 10, or the offset is outside of -10,000 to 10,000.

| Possible Cause                          | Corrective Action |
|---|-------------------|
| Dirty sensor                            | Clean sensor      |
| Improper wiring of sensor to controller | Correct wiring    |

|   |   |
|---|---|
| Sensor placed too close to container walls                  | Relocate sensor                         |
| Sensor placed in the direct path of electrical current flow | Relocate sensor                         |
| Incorrect temperature reading or setting                    | Ensure that the temperature is accurate |
| Incorrect cable length or wire gauge setting                | Set to the correct values               |
| Faulty sensor   | Replace sensor                          |

### 7.1.3 pH Sensors

The calibration will fail if the adjustment to the gain is outside of 0.2 to 1.2, or if the calculated offset is outside of -140 to 140.

| Possible Cause                               | Corrective Action                       |
|--|---|
| Dirty electrode                              | Clean electrode                         |
| Improper wiring of sensor to controller      | Correct wiring                          |
| Incorrect temperature reading or setting     | Ensure that the temperature is accurate |
| Incorrect cable length or wire gauge setting | Set to the correct values               |
| Faulty electrode                             | Replace electrode                       |
| Faulty preamplifier                          | Replace preamplifier                    |

### 7.1.4 ORP Sensors

The calibration will fail if the adjustment to the gain is outside of 0.5 to 1.5, or if the calculated offset is outside of -300 to 300.

| Possible Cause                          | Corrective Action    |
|---|----------------------|
| Dirty electrode                         | Clean electrode      |
| Improper wiring of sensor to controller | Correct wiring       |
| Faulty electrode                        | Replace electrode    |
| Faulty preamplifier                     | Replace preamplifier |

### 7.1.5 Disinfection Sensors

The calibration will fail if the adjustment to the gain is outside of 0.2 to 10.0, or if the calculated offset is outside of -40 to 40.

| Possible Cause  | Corrective Action  |
|---|--|
| Insufficient conditioning   | Wait for the appropriate amount of time before attempting a calibration.               |
| Insufficient sample flow  | Increase flow rate to between 30 and 100 liter per hour.                               |
| Air bubbles on membrane   | Dislodge bubbles. Adjust flow rate higher if necessary.                                |
| Air bubbles in electrolyte  | Refill membrane cap with electrolyte.  |
| Dirty membrane  | Clean membrane   |
| Loose membrane cap  | Tighten membrane cap.  |
| Faulty membrane   | Replace membrane cap.  |
| High Pressure   | Reduce pressure to below 1 atmosphere and refill cap with electrolyte                  |
| No electrolyte fill solution in membrane cap  | Fill membrane cap with electrolyte. Replace membrane cap if it will not hold solution. |
| Improper wiring of sensor to controller   | Correct wiring   |
| Faulty sensor   | Replace sensor   |
| Faulty analysis equipment or reagents   | Consult test equipment instructions  |
| Sample contaminated with interfering molecule (refer to Sensitivity specification in sensor instructions) | Remove source of contamination   |

## 7.2 Alarm Messages

Alarm messages will include the Name of the input or output as defined in the Settings menu, the hardware identifying type and number (S for sensor input, D for digital input, R for relay output, A for analog output), and the type of alarm.

### **HIGH or HIGH-HIGH ALARM**

**Occurs if the sensor reading rises above the high alarm set points. If your unit is programmed for an alarm relay output, the alarm relay will activate. The controller will continue to check the sensor reading, and any outputs using the sensor will remain active.**

| Possible Cause                                       | Corrective Action   |
|--|---|
| The process went further out of control than normal. | May have to increase chemical flow rate.                    |
| The chemical supply has run out.                     | Replenish the chemical supply.                              |
| The pump or valve or supply line is faulty.          | Repair or replace the control device.                       |
| Wrong chemical is being controlled.                  | Replace with correct chemical.                              |
| The sensor is not responding to changes.             | Repair or replace sensor. Evaluate mixing or recirculation. |
| The pump is siphoning, valve leaking.                | Repair or replace the control device or re-route tubing.    |
| Control output has been left in "HAND" mode.         | Switch back to "AUTO".                                      |
| It may be a normal part of the process.              | None required.  |

### **LOW or LOW-LOW ALARM**

**Occurs if the sensor reading drops below the low alarm set points. If your unit is programmed for an alarm relay output, the alarm relay will activate. The controller will continue to check the sensor reading, and any outputs using the sensor will remain active.**

| Possible Cause                                       | Corrective Action   |
|--|---|
| The process went further out of control than normal. | May have to increase chemical flow rate.                    |
| The chemical supply has run out.                     | Replenish the chemical supply.                              |
| The pump or valve or supply line is faulty.          | Repair or replace the control device.                       |
| Wrong chemical is being controlled.                  | Replace with correct chemical.                              |
| The sensor is not responding to changes.             | Repair or replace sensor. Evaluate mixing or recirculation. |
| The pump is siphoning, valve leaking.                | Repair or replace the control device or re-route tubing.    |
| Control output has been left in "HAND" mode.         | Switch back to "AUTO".                                      |
| It may be a normal part of the process.              | None required.  |

### **DI STATE CUSTOM MESSAGE**

**A digital input that is a DI State type can be set such that either the open or closed state generates an alarm. The alarm message may be customized. The most common use for this will be a Flow Switch.**

| Possible Cause           | Corrective Action  |
|--------------------------|--|
| No flow                  | Check piping for closed valves, blockage, etc. Check recirculation pump. |
| Faulty flow switch/cable | Check with ohmmeter.   |
| Faulty controller        | Check by shorting digital input in controller.                           |

### **TOTAL ALARM**

**Occurs if the flow meter totalizer alarm limit is exceeded.**

| Possible Cause                      | Corrective Action   |
|-------------------------------------|---|
| Normal operation                    | Reset the total to clear alarm                                  |
| AC coupled onto flow meter cable    | Route cable at least 6 inches (150 mm) away from any AC voltage |
| Noise coupled onto flow meter cable | Shield cable  |

### **OUTPUT TIMEOUT**

**This error condition will stop control. It is caused by the output (either relay or analog) being activated for longer than the programmed Time Limit.**

| Possible Cause                                       | Corrective Action                                 |
|--|---|
| The process went further out of control than normal. | Increase time limit or reset timer.               |
| The chemical supply has run out.                     | Replenish the chemical supply.                    |
| The pump or valve or supply line is faulty.          | Repair or replace the control device.             |
| Wrong chemical is being controlled.                  | Replace with correct chemical.                    |
| The sensor is not responding to changes.             | Replace sensor. Evaluate mixing or recirculation. |

#### **RANGE ALARM**

**It indicates that the signal from the sensor is out of the normal range. This error condition will stop control of any output using the sensor. This prevents controlling based upon a false sensor reading. If the temperature sensor goes into range alarm, then the controller will go into manual temperature compensation using the Default Temperature setting.**

| Possible Cause       | Corrective Action            |
|----------------------|------------------------------|
| Sensor wires shorted | Disconnect short             |
| Faulty sensor        | Replace sensor               |
| Faulty controller    | Replace or repair controller |

#### **SENSOR FAULT**

**This error indicates that the signal from the sensor is no longer valid at all. This error condition will stop control of any output using the sensor.**

| Possible Cause       | Correction Action            |
|----------------------|------------------------------|
| Sensor wires shorted | Disconnect short             |
| Faulty sensor        | Replace sensor               |
| Faulty controller    | Replace or repair controller |

#### **INPUT FAILURE**

**This alarm indicates that the sensor input circuit is no longer working. This error condition will stop control of any output using the sensor.**

| Possible Cause    | Correction Action            |
|-------------------|------------------------------|
| Faulty controller | Replace or repair controller |

#### **BATTERY POWER LOW**

**This alarm indicates that the battery which holds the date and time in memory is below 2.4 VDC.**

| Possible Cause | Correction Action |
|----------------|-------------------|
| Faulty battery | Replace battery   |

#### **SYSTEM TEMP LOW**

**This alarm indicates that the temperature inside the controller is below -10 °C.**

| Possible Cause           | Correction Action               |
|--------------------------|---------------------------------|
| Low ambient temperatures | Provide heat for the controller |

#### **SYSTEM TEMP HIGH**

**This alarm indicates that the temperature inside the controller is above 75 °C.**

| Possible Cause            | Correction Action                  |
|---------------------------|------------------------------------|
| High ambient temperatures | Provide cooling for the controller |

#### **DISPLAY ERROR**

**This alarm occurs if the user interface gets lost**

| Possible Cause             | Correction Action                               |
|----------------------------|---|
| Pressing keys very quickly | Exit out of the screen and continue programming |

#### **CONTROLLER, POWER, DISPLAY, OR SENSOR BOARD ERROR**

**This alarm occurs if the board listed is not recognized**

| <b>Possible Cause</b>   | <b>Correction Action</b>  |
|---|---|
| Poor ribbon cable connection  | Remove and reseal ribbon cable, cycle power   |
| Faulty board  | Return the controller for repair  |
| <b>CONTROLLER, POWER, SENSOR, DISPLAY, NETWORK OR ANALOG OUTPUT BOARD VARIANT</b>                           |   |
| <b>This alarm occurs if the type of board that is detected is not a valid type</b>                          |   |
| <b>Possible Cause</b>   | <b>Correction Action</b>  |
| Poor ribbon cable connection  | Reseat ribbon cable   |
| Faulty ribbon cable   | Replace ribbon cable  |
| Faulty Board  | Replace the board listed in the error message   |
| <b>INVALID CONTROL MODE</b>   |   |
| <b>This alarm occurs if the programmed control mode is not possible for the installed power relay board</b> |   |
| <b>Possible Cause</b>   | <b>Correction Action</b>  |
| The power relay board has been removed and replaced with an incorrect model                                 | Reinstall the correct board or reprogram the output to a valid type for the board installed |
| <b>SENSOR, DIGITAL INPUT, RELAY OR ANALOG OUTPUT DISABLED</b>   |   |
| <b>This alarm occurs if software for that input or output did not start correctly</b>                       |   |
| <b>Possible Cause</b>   | <b>Correction Action</b>  |
| The software is not functioning   | If the error message clears on its own, no action is required.                              |
|   | If the error message persists, cycle power.   |
|   | If the error message still persists, return the controller for repair.                      |
| <b>RELAY OR ANALOG OUTPUT CONTROL FAILURE</b>   |   |
| <b>This alarm occurs if software for that output did not run correctly</b>                                  |   |
| <b>Possible Cause</b>   | <b>Correction Action</b>  |
| The software is not functioning   | If the error message clears on its own, no action is required.                              |
|   | If the error message persists, cycle power.   |
|   | If the error message still persists, return the controller for repair.                      |
| <b>FRAM FILE SYSTEM ERROR</b>   |   |
| <b>This alarm occurs if the FRAM is not detected at power up</b>  |   |
| <b>Possible Cause</b>   | <b>Correction Action</b>  |
| The FRAM was or is not functioning  | If the error message clears on its own, no action is required.                              |
|   | If the error message persists, cycle power.   |
|   | If the error message still persists, replace the controller board.                          |

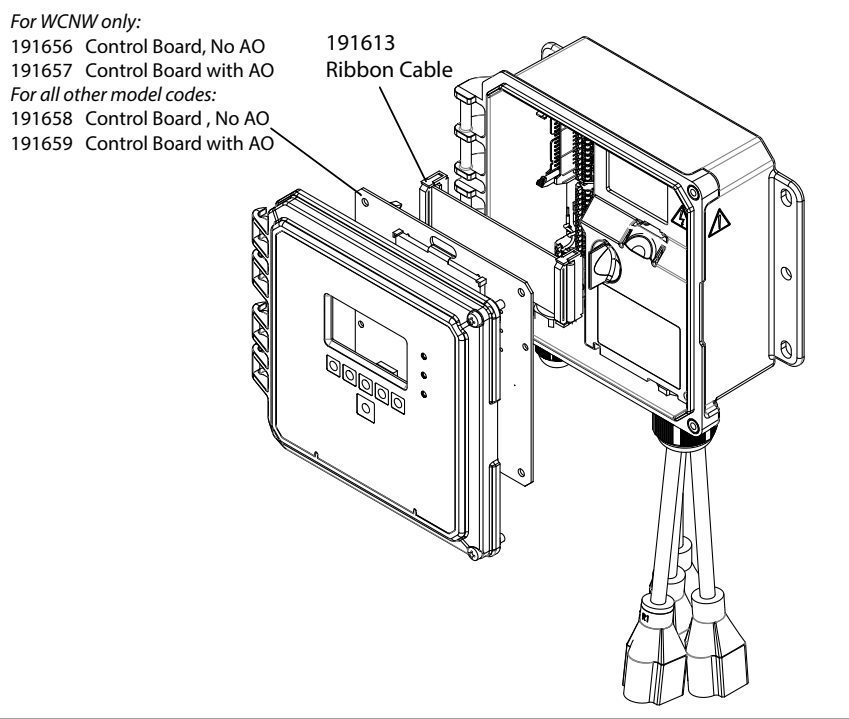
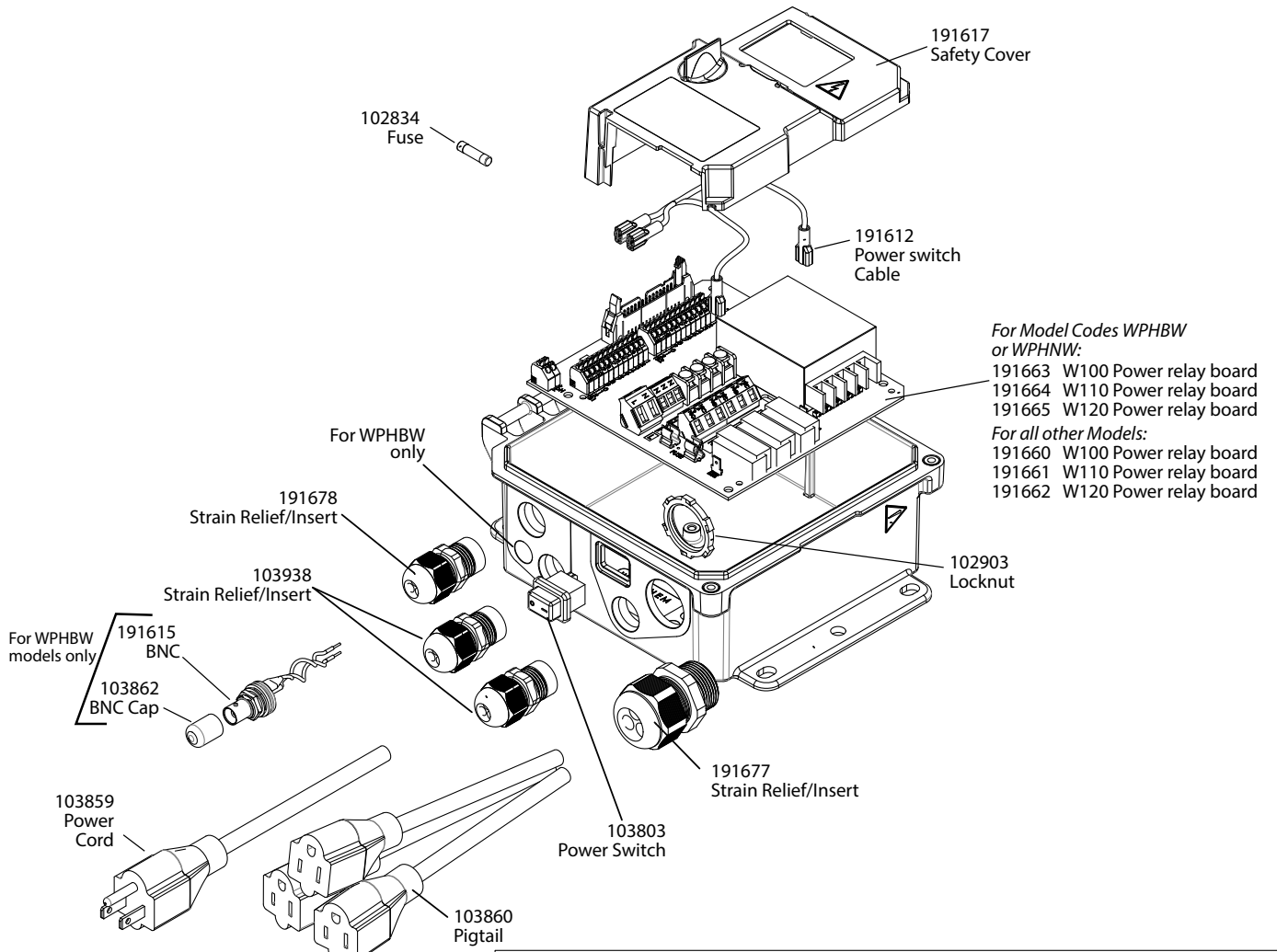
## 8.0 SERVICE POLICY

---

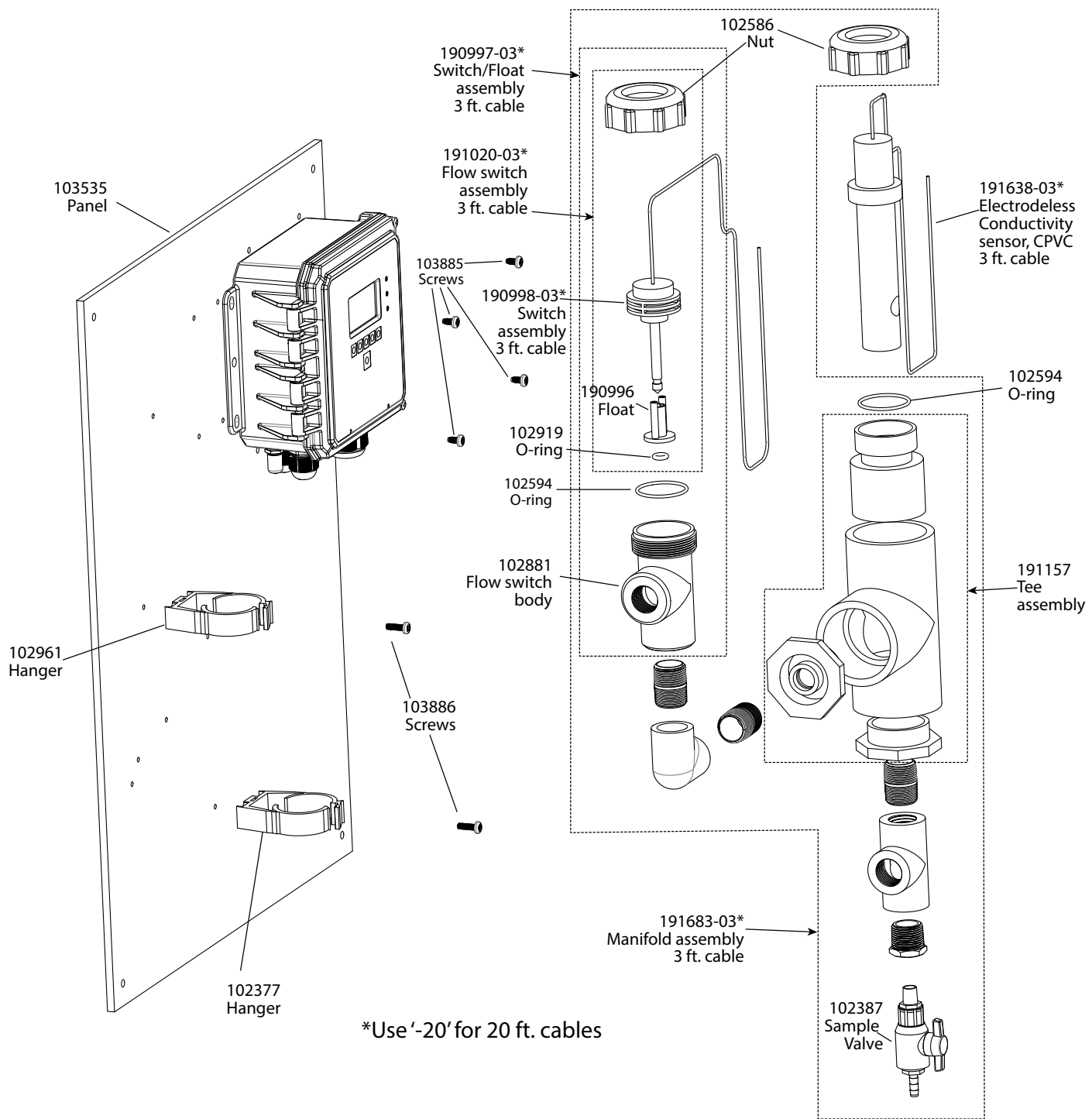
Walchem controllers have a 2-year warranty on electronic components and a 1-year warranty on mechanical parts and electrodes. See Statement of Limited Warranty in front of manual for details.

Walchem controllers are supported by a worldwide network of authorized master distributors. Contact your authorized Walchem distributor for troubleshooting support, replacement parts, and service. If a controller is not functioning properly, circuit boards may be available for exchange after the problem has been isolated. Authorized distributors will provide a Return Material Authorization (RMA) number for any products being returned to the factory for repair. Repairs are generally completed in less than one week. Repairs that are returned to the factory by next-day-air freight will receive priority service. Out-of-warranty repairs are charged on a time and material basis.

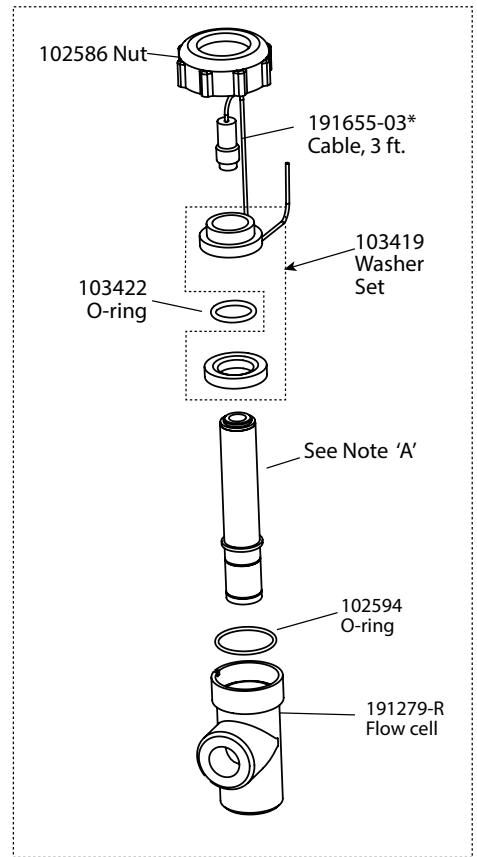
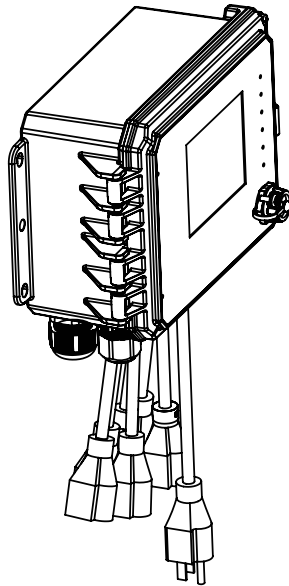
# 9.0 SPARE PARTS IDENTIFICATION



## Controller Parts

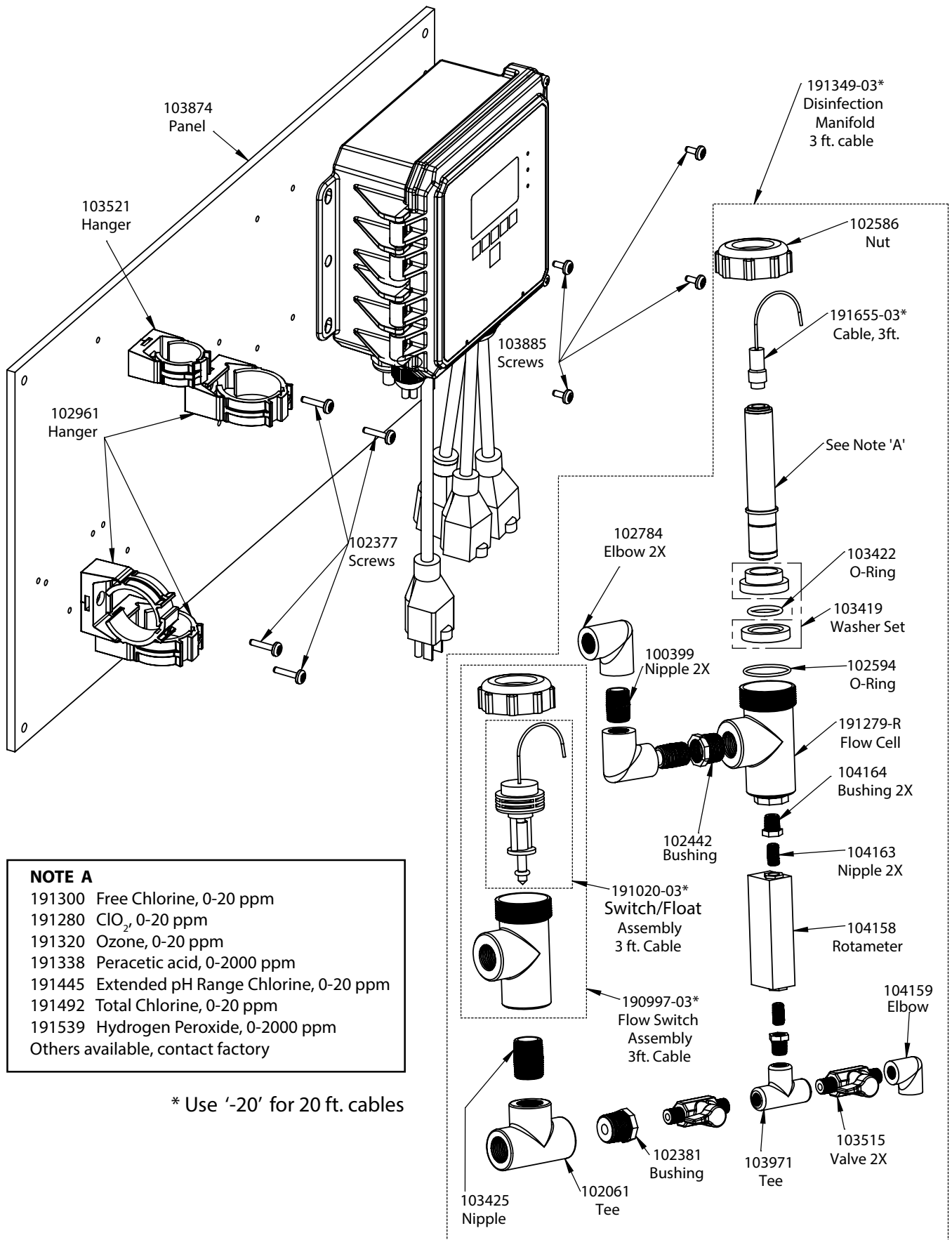


### WCNW Sensor Option E

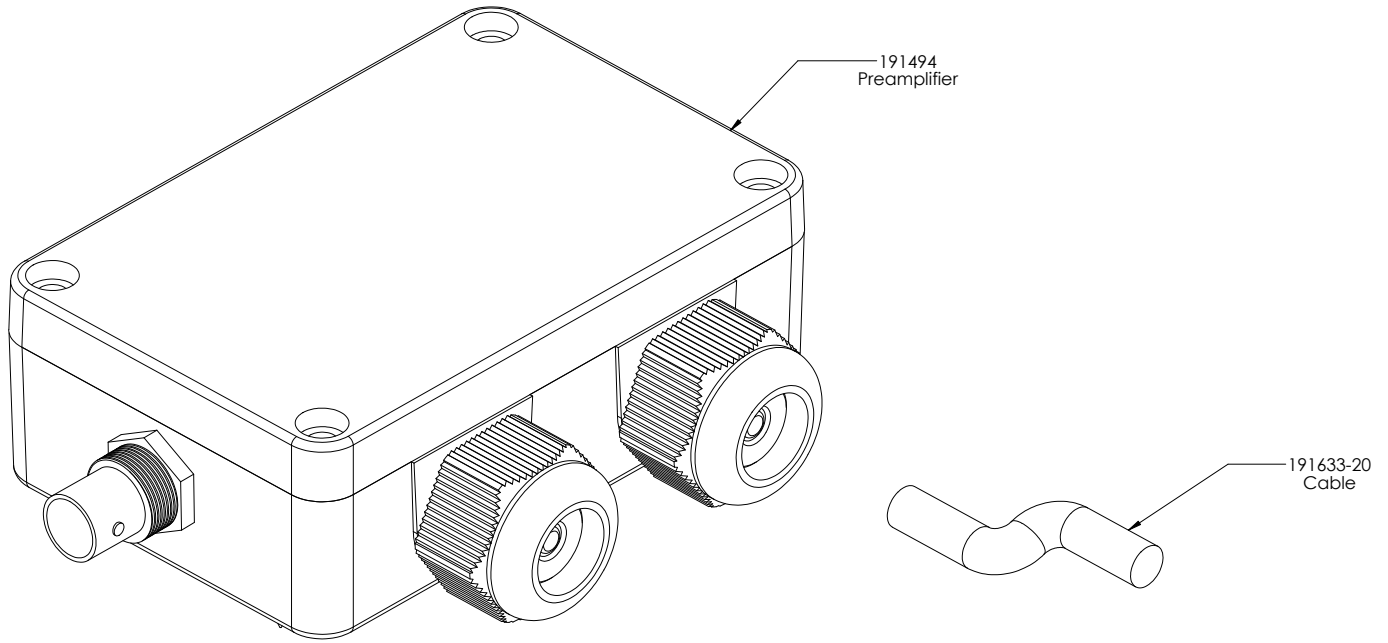


**NOTE A**  
 W100-DS-A: 191300 Free Chlorine, 0-20 ppm  
 W100-DS-B: 191280 ClO<sub>2</sub>, 0-20 ppm  
 W100-DS-C: 191320 Ozone, 0-20 ppm  
 W100-DS-D: 191338 Peracetic acid, 0-2000 ppm  
 W100-DS-E: 191445 Extended pH Range Chlorine, 0-20 ppm  
 W100-DS-F: 104165 Total Chlorine, 0-20 ppm  
 W100-DS-G: 191539 Hydrogen Peroxide, 0-2000 ppm  
 Others available, contact factory

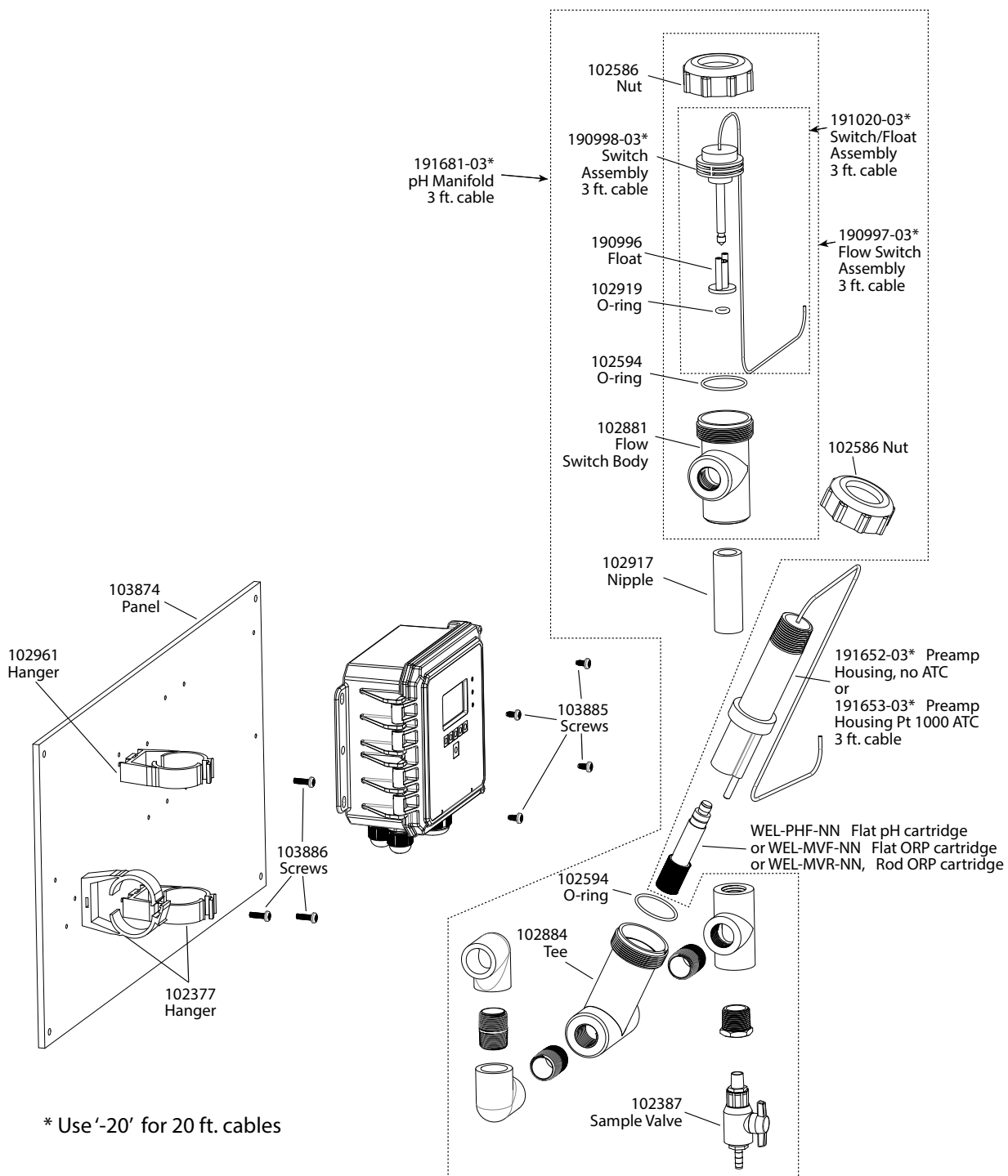
\* Use '-20' for 20 ft. cables



### WDSW Sensor Options H-P



**WPHPW Sensor Option A**

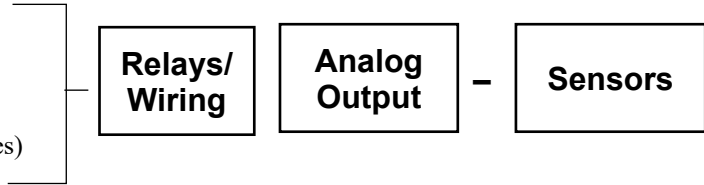


W100-PH-F Spare Parts  
(WPHPW Sensor Options F, J, K)

### WPHPW Sensor Options F, J, K

## Model Code

WCNW (Contacting or Electrodeless Conductivity Sensors)  
WPHPW (Amplified pH/ORP Electrodes)  
WPHBW (Non-Amplified pH/ORP Electrodes with BNC)  
WPHNW (Non-Amplified pH/ORP Electrodes with bare wires)  
WDSW (Disinfection Sensors)



### Relays/Wiring

100H = 3 powered relays, hardwired  
100P = 3 powered relays, prewired USA power cord & pigtails  
100D = 3 powered relays, prewired DIN power cord, no pigtails  
110H = 3 dry relays, hardwired  
110P = 3 dry relays, prewired USA power cord, no pigtails  
110D = 3 dry relays, prewired DIN power cord, no pigtails  
120H = 2 pulse, 1 dry relay, hardwired  
120P = 2 pulse, 1 dry relay, prewired with USA power cord, no pigtails  
120D = 2 pulse, 1 dry relay, prewired with DIN power cord, no pigtails

### Analog Output

N = No analog output  
A = One isolated analog (4-20 ma) output

### Sensors (WCNW)

N = No sensor  
A = Submersion PEEK electrodeless conductivity, 20 ft cable  
B = Submersion CPVC electrodeless conductivity, 20 ft cable  
C = Inline PEEK electrodeless conductivity, 20 ft cable  
D = Inline CPVC electrodeless conductivity, 20 ft cable  
E = Inline CPVC electrodeless conductivity w/FS manifold on panel, 3 ft cable  
F = Contacting conductivity, 1.0 cell constant, 100 psi, 10 ft cable  
G = Contacting conductivity, 0.1 cell constant, 100 psi, 10 ft cable  
H = Contacting conductivity, 10.0 cell constant, 100 psi, 10 ft cable  
I = Contacting conductivity, 0.01 cell constant, 100 psi, 10 ft cable  
J = Contacting conductivity, 1.0 cell constant, 200 psi, 10 ft cable  
K = Contacting conductivity, 0.1 cell constant, 200 psi, 10 ft cable  
L = Contacting conductivity, 10.0 cell constant, 200 psi, 10 ft cable  
M = Contacting conductivity, 0.01 cell constant, 200 psi, 10 ft cable

### Sensors (WPHPW)

N = No sensor  
A = External preamp, 20 ft cable  
B = Submersion pH, no ATC, 20 ft cable  
C = Submersion pH, with ATC, 20 ft cable  
D = Inline pH, no ATC, 20 ft cable  
E = Inline pH, with ATC, 20 ft cable  
F = Inline pH, with ATC, with FS manifold on panel, 3 ft cable  
G = Submersion flat ORP, 20 ft cable  
H = Inline flat ORP, 20 ft cable  
I = Inline Rod-Style ORP, 20 ft cable  
J = Inline flat ORP with FS manifold on panel, 3 ft cable  
K = Inline Rod Style ORP w/ FS manifold on panel, 3 ft cable

### Sensors (WDSW)

N = No sensor  
A = Free chlorine, 0-20 ppm, 20 ft cable  
B = ClO<sub>2</sub>, 0-20 ppm, 20 ft cable  
C = Ozone, 0-10 ppm, 20 ft cable  
D = PAA, 0-2000 ppm, 20 ft cable  
E = Extended pH range free chlorine, 0-20 ppm, 20 ft cable  
F = Total chlorine, 0-20 ppm, 20 ft cable  
G = Peroxide, 0-2000 ppm, 20 ft cable  
H = Free chlorine with manifold on panel, 0-20 ppm, 3 ft cable  
I = ClO<sub>2</sub> with manifold on panel, 0-20 ppm, 3 ft cable  
J = Ozone with manifold on panel, 0-10 ppm, 3 ft cable  
K = PAA with manifold on panel, 0-2000 ppm, 3 ft cable  
L = Extended pH range Cl<sub>2</sub> with manifold on panel, 0-20 ppm, 3 ft cable  
M = Total chlorine with manifold on panel, 0-20 ppm, 3 ft cable  
O = Peroxide with manifold on panel, 0-2000 ppm, 3 ft cable  
P = No sensor with manifold on panel, 3 ft cable

### Sensors (WPHBW or WPHNW)

N = No sensor

FIVE BOYNTON ROAD  
TEL: 508-429-1110

HOPPING BROOK PARK

HOLLISTON, MA 01746 USA  
Web: [www.walchem.com](http://www.walchem.com)

