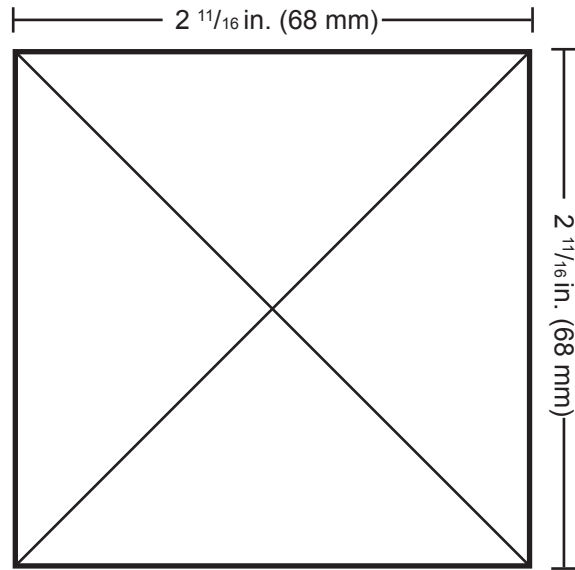


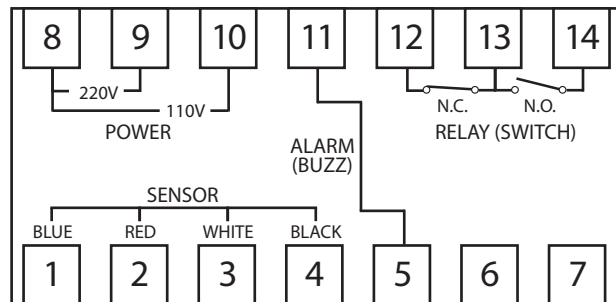
## PANEL CUT-OUT DIAGRAM



1. Using a knife, cut the diagram out (cut on the outer part of the line).
2. Align the cut-out to your panel and draw cut marks.
3. Cut the hole in the panel to the precise dimensions of the cut-out:  
2-11/16 in. x 2-11/16 in. (68 mm x 68 mm)

→ See the installation section for complete instructions.

## CONTACT DIAGRAM



## USER'S GUIDE



## PSC-150 EXTENDED RANGE TDS/EC CONTROLLER



Thank you for purchasing HM Digital's PSC-150. The PSC-150 is a TDS/EC controller that monitors and controls levels of Total Dissolved Solids (TDS) or Electrical Conductivity (EC) in water. The controller has a maximum set point to help maintain a limit of TDS/EC allowed in the water. If the TDS/EC level rises to the set point, the controller will activate a warning light, sound an alarm (optional) and switch the dry contact position from the normal position (to operate a valve, pump, etc.). Once the TDS/EC level drops below the set point, this will deactivate the light and alarm and switch the contacts back to the normal position (normally open or closed).

THIS PAGE INTENTIONALLY LEFT BLANK

### **CONTACT INFO**

If you have any problems or questions regarding your controller, please contact HM Digital, Inc.

HM Digital, Inc.  
5819 Uplander Way  
Culver City, CA 90230, U.S.A.

info@hmdigital.com  
www.tdsmeter.com  
1-800-383-2777

### **BOX CONTENTS**

- |               |                        |                      |
|---------------|------------------------|----------------------|
| 1. Controller | 3. Sensor cable (grey) | 5. Mounting brackets |
| 2. Sensor     | 4. Power cord (black)  | 6. U.S. plug adapter |

### **SPECIFICATIONS**

**EC Range:** 0-9999  $\mu\text{S}$  ( $\mu\text{S}/\text{cm}$ )

**TDS Range:** 0 - 4995 ppm (mg/L)

**Temperature Range:** 1-80°C; 33-176°F

**Resolution:** 0-999: 0.1  $\mu\text{S}/\text{ppm}$ ; 1000-9999: 1  $\mu\text{S}/\text{ppm}$

**Accuracy:**  $\pm 2\%$  (of the reading); Thermometer:  $\pm 1^\circ\text{C}$ ,  $\pm 1.8^\circ\text{F}$

**Temperature Compensation:** Automatic (ATC) (1-60°C)

**Calibration:** Digital by push button (manual fine-tuning in high ranges)

**Set-Point:** Single point, controlled by on-screen up/down buttons (to any point within the range)

**Set-Point Relay:** single, isolated, 2A, Max. 220V, resistive load 100,000 strokes

**Relay Control:** The unit will open or close a circuit via dry contacts when the ppm/ $\mu\text{S}$  level reaches or exceeds the control setting (simple switch). It can be used to control a pump, solenoid valve or other device.

**Relay Voltage:** 5V (the connected device needs its own power source)

**Alarm:** Optional steady beep (set by user)

**Probe:** ½" NPTF bushing

**Replacement Probe:** Part Number SP-1-PSC

**Cable Length:** 3 meter (9.8 ft) shielded cable

**Display:** Bright tri-color L.E.D.

**Power Supply:** 110V/220V,  $\pm 10\%$  Vac; 50/60Hz

**Enclosure:** Front and back with ABS

**Environment:** -10 to 50°C (4 to 122°F); RH max 95% non-condensing

**Dimensions:** 7.2 x 7.2 x 11.1 cm (2.8 x 2.8 x 4.4 in.)

**Monitor Weight:** 436 grams (15.4 oz)

## WARRANTY

### **ONE YEAR LIMITED WARRANTY**

The PSC-150, including both the controller and sensor, is warranted by HM Digital, Inc. ("the Company") to the purchaser against defective materials and workmanship for one (1) year from the date of purchase.

**What is covered:** Repair parts and labor, or replacement at the Company's option. Transportation charges for repaired or new product to be returned to the purchaser.

**What is not covered:** Transportation charges for the defective product to be sent to the Company. Any consequential damages, incidental damages, or incidental expenses, including damages to property. This includes damages from abuse or improper maintenance such as tampering, wear and tear, water damage, or any other physical damage. The Company's products are not waterproof and should not be fully submerged in water. Products with any evidence of such damage will not be repaired or replaced. See additional note below.

**How to obtain warranty performance:** Attach to the product your name, address, description of problem, phone number, and proof of date of purchase, package and return to:

HM Digital, Inc.  
ATTN: Returns  
5819 Uplander Way  
Culver City, CA 90230  
U.S.A.

**Implied Warranties:** Any implied warranties, including implied warranties of merchantability and fitness for a particular purpose, are limited in duration to five years from date of purchase. Some states do not allow limitations on how long an implied warranty lasts, so the above limitation may not apply to you. To the extent any provision of this warranty is prohibited by federal and state law and cannot be preempted, it shall not be applicable. This warranty gives you specific legal rights, and you may also have other rights, which vary from state to state.

**NOTE:** Warranties are product-specific. Third-party products and products deemed by HM Digital as "accessories" are not covered under warranty. Third-party products and accessories include, but are not limited to, batteries, fuses, mounting brackets, plug adaptors and fittings.

## INSTALLATION INSTRUCTIONS

**IMPORTANT: Double-check your contacts prior to connecting the controller to a power source. Incorrect connections could result in shorting out the unit.**

1. Remove the contents from the box.
2. Insert the controller into the panel. A square hole must be cut into the panel with dimensions of 2-11/16 in. x 2-11/16 in. (68 mm x 68 mm). Page 8 includes a cut-out diagram.
3. Mount the controller to the panel by inserting the mounting brackets into the grooves on the bottom and top of the controller. Fasten the brackets with the included screws.
4. View the contact diagram on the side of the controller (also on page 8).
5. Do NOT connect to a power source yet! Connect the black power cord to the contacts #8 & #10 (110 V) or #8 & #9 (220V). It does not matter which color wire is connected to the contacts. Screw in tight with a Phillips head screwdriver. (Note – If in the U.S. (or a country that uses Type A or B plugs/sockets), connect the included plug adapter to the power cord).
6. If using a pump, valve, etc., connect a relay cord (not included) to contacts #13 and #14 for a normally open position OR to contacts #12 and #13 for a normally closed position.
7. Connect the gray sensor cable by attaching the blue wire to contact #1, the red to #2, the white to #3 and the black to #4.
8. Align the pins of the sensor to the cable and attach. Screw the tightening ring closed.
9. Insert the sensor electrode into a female 1/2" NPTF threaded fitting. Attach to your water source.
10. To DISCONNECT the audible alarm, disconnect the blue wire from contacts #5 and #11.
11. Plug the power cord into an electrical outlet. The controller does not have a power switch and will automatically power on when the power is connected.

## USAGE INSTRUCTIONS

1. The controller will turn on when the power cord is plugged into an electrical outlet.
2. Open the cover on the front of the controller by gently pulling down.
3. To change the temperature mode, quickly press the °C/°F button. This will toggle the temperature between Fahrenheit and Celsius.
4. To change the measurement between TDS and EC, press and hold the MODE button. This will toggle between ppm and  $\mu$ S.
5. To turn off the controller, unplug it from the electrical outlet.

### **Setting the Control Set Point**

1. To set the control set point (to activate a device via the relay), press the SET button once. The temperature reading will switch to a flashing "SET."
2. Press the UP or DOWN buttons until the desired set point is reached. Pressing once will advance the reading by a single digit. Holding down the button will advance the reading quickly.
3. Press the SET button again. This will save the set point to memory.
4. If the TDS/EC level reaches the saved set point, the controller will switch the contacts from the normal position (either normally open or normally closed), thereby operating the pump, solenoid valve, or other device attached to contacts #12 & #13 or #13 & 14.

## USAGE INSTRUCTIONS (continued)

- Once the TDS/EC falls below the set point, the contacts will switch back to the normal position.
- The alarm (if connected) will sound continuously while the TDS/EC level is over the set point.  
The only way to turn it off is by lowering the TDS/EC level below the set point or disconnecting the blue wire from contacts #5 and #11.

### **Calibration:**

- HM Digital factory calibrates the controller to a 1431  $\mu\text{S}$  NaCl solution. (700 ppm) If you wish to recalibrate, press and hold the CAL button. The temperature reading will switch to a flashing "CAL."
- Insert the sensor (with the fitting on) into a calibration solution with a known value.  
*NOTE: If using a fitting, you must calibrate with the fitting on the sensor.*
- Press the UP or DOWN buttons to adjust the measurement reading until it matches the value of the calibration solution.

#### CALIBRATION ICONS

Maximum range reached: --|

Minimum range reached: |-

Middle range reached: CAL (not flashing)

**UPPER LEVEL CALIBRATION:** In upper ranges, the calibration display will advance or decrease by approximately 1% of the reading. For fine tuning, adjust the display so that it is as close as possible to the level of the calibration solution. Then, with a small screwdriver, adjust the trimmer pot on the top of the controller (near the vents) clockwise or counter-clockwise. This will allow for pinpoint calibration.

- Once the display matches the calibration solution, press and hold the CAL button again to set the calibration.

## TROUBLESHOOTING

<b>Problem</b>	<b>Potential Solution(s)</b>
The controller will not power on.	<ol style="list-style-type: none"> <li>1. Check to ensure the connections are correct (double-check 110V vs. 220V).</li> <li>2. Check to ensure the power cable is plugged in.</li> </ol>
Incorrect readings.	<ol style="list-style-type: none"> <li>1. Try to recalibrate the controller. Note that the calibration should be done with a fitting on (if using a fitting).</li> <li>2. Note the instructions for upper level calibration</li> <li>3. Check for interference caused by other machinery or electronics (near the controller or cables).</li> </ol>
The relay control does not work.	<ol style="list-style-type: none"> <li>1. Double-check the connections for contacts #12, 13 &amp; 14.</li> <li>2. Make sure that the set point is properly set.</li> </ol>
The display shows ERR.	<ol style="list-style-type: none"> <li>1. The TDS/EC level is out of range.</li> <li>2. The sensor is not connected.</li> <li>3. The sensor is dirty or damaged.</li> </ol>

If troubleshooting does not solve the problem, please contact HM Digital for assistance. If your controller is still under warranty, please return the controller to HM Digital for repair or replacement (see page 6).

### **Cleaning**

To clean the sensor electrodes, use rubbing alcohol and a cotton swab. Lightly clean the electrodes. Rinse with DI, RO or distilled water. Air dry.

### **Sensor Replacement**

If your sensor has been damaged, you can purchase a new one (model SP-1-PSC) without the need to purchase a new controller.

Contact your authorized HM Digital distributor for a replacement sensor. If you cannot locate an HM Digital distributor, contact HM Digital at [info@hmdigital.com](mailto:info@hmdigital.com)

