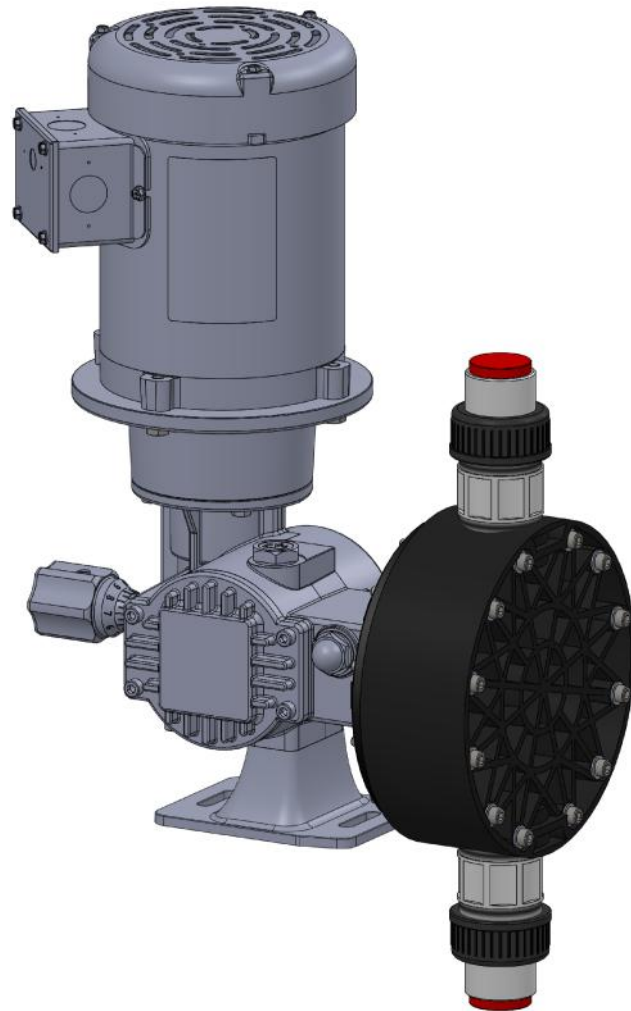




**Installation
Operation
Maintenance
Instruction**



MD Series

Model#: _____

Serial#: _____

BLACK
LINE



English

Mechanical Diaphragm Metering Pump

Pulsafeeder Factory Service Policy

Should you experience a problem with your Pulsafeeder pump, first consult the troubleshooting guide in your operation and maintenance manual. If the problem is not covered or cannot be solved, please contact your local Pulsafeeder Sales Representative or Distributor, or our Technical Services Department for further assistance.

Trained technicians are available to diagnose your problem and arrange a solution. Solutions may include purchase of replacement parts or returning the unit to the factory for inspection and repair. All returns require a Return Authorization number to be issued by Pulsafeeder. Parts purchased to correct a warranty issue may be credited after an examination of original parts by Pulsafeeder. Warranty parts returned as defective which test good will be sent back freight collect. No credit will be issued on any replacement electronic parts.

Any modifications or out-of-warranty repairs will be subject to bench fees and costs associated with replacement parts.

Safety Considerations:

1. Read and understand all related instructions and documentation before attempting to install or maintain this equipment
2. Observe all special instructions, notes, and cautions.
3. Act with care and exercise good common sense and judgment during all installation, adjustment, and maintenance procedures.
4. Ensure that all safety and work procedures and standards that are applicable to your company and facility are followed during the installation, maintenance, and operation of this equipment.

Copyright ©2015 Pulsafeeder, Inc. All rights reserved.

Information in this document is subject to change without notice. No part of this publication may be reproduced, stored in a retrieval system or transmitted in any form or any means electronic or mechanical, including photocopying and recording for any purpose other than the purchaser's personal use without the written permission of Pulsafeeder, Inc.

Table of Contents

1. INTRODUCTION	4
2. PRINCIPLES OF OPERATION.....	4
2.1 Reagent Head Assembly	5
2.2 Control Assembly.....	5
2.3 Gear Ratio Assembly	5
3. EQUIPMENT INSPECTION	7
3.1 Storage	7
4. INSTALLATION	7
4.1 Location.....	7
4.2 Piping System.....	8
Suction Pressure Requirements.....	9
4.3 Discharge Pressure Requirements.....	9
5. EQUIPMENT STARTUP	11
5.1 Check oil level.....	11
5.2 Fastener Inspection.....	11
5.3 Output Adjustment	11
5.4 Priming the Reagent Head.....	12
5.5 Calibration.....	13
6. MAINTENANCE	14
6.1 Lubrication	14
6.2 Wet End Removal, Inspection, & Reinstallation.....	15
6.3 Check Valves	18
6.4 Motor Removal & Reinstallation	23
7. REPLACEMENT PARTS	24
7.1 Ordering Parts	25
8. MODEL NUMBER IDENTIFICATION.....	26
9. TROUBLESHOOTING	27
10. PIPING ACCESSORIES	29

1. Introduction

The BLACKLINE® metering pump is positive displacement, mechanically operated reciprocating diaphragm pump. Each pump consists of a power end and a process end separated by a PTFE faced diaphragm. Individual pumps will vary in appearance due to various liquid ends and accessories; however, the basic principles of operation remain the same.

2. Principles of Operation

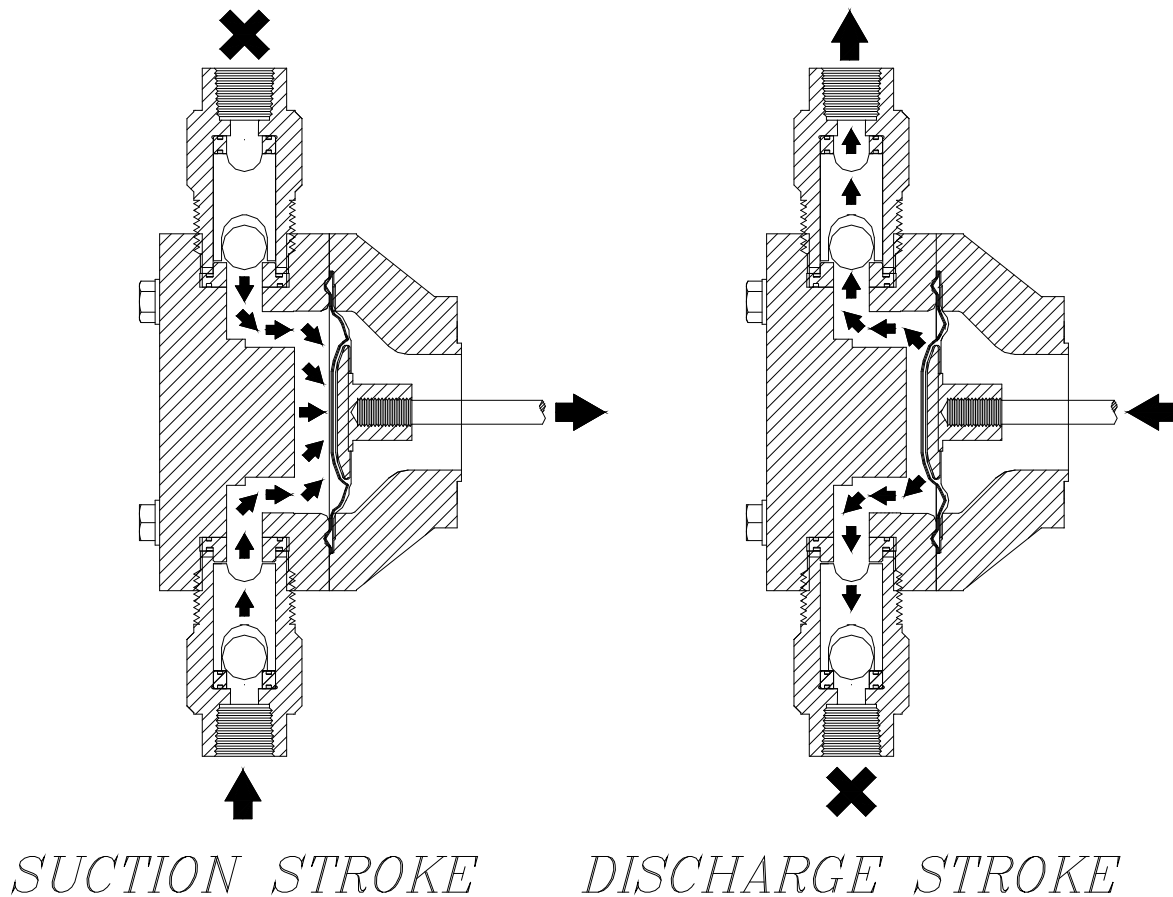


Figure 1, reagent head operation

A diaphragm reciprocates at a preset stroke length, displacing an exact volume of process fluid. Diaphragm retraction causes the product to enter through the suction check valve. Diaphragm advance causes the discharge of an equal amount of the product through the discharge check valve.

2.1 Reagent Head Assembly

The typical reagent head assembly consists of reagent head, diaphragm, and suction and discharge cartridge check valves. This assembly is the only part of the pump to contact the process liquid; consequently, maintenance is critical to pump performance.

2.2 Control Assembly

The BLACKLINE® pump incorporates a lost motion style of stroke length adjustment to limit diaphragm travel during the suction portion of each stroke. The stroke length setting is indicated by a (0% – 100%) scale located on the stroke adjustment assembly.

Stroke length is changed by turning the hand knob. This turns a mechanism, which limits rearward travel of the diaphragm. Refer to *Section 6.4* for further information.

For automatic flow rate control, users can consider the Pulsafeeder VFD speed based control system, please contact your local Pulsafeeder dealer or representative for more information.

2.3 Gear Ratio Assembly

BLACKLINE® pumps are driven by an electric motor mounted on the motor adaptor input flange. The motor drives a set of worm gears that convert rotational speed into torque. They, in turn, power the eccentric shaft assembly that converts rotary motion into reciprocating motion.

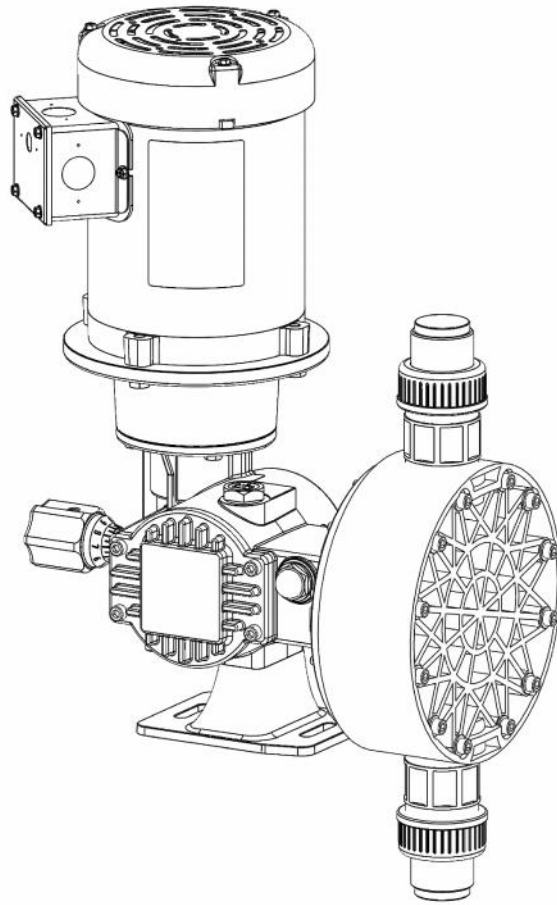


Figure 2

3. Equipment Inspection

Check all equipment for completeness against the order and for any evidence of shipping damage. Shortages or damage must be reported immediately to the carrier and your authorized representative or distributor of BLACKLINE® pumps.

3.1 Storage

3.1.1 Short Term

Storage of your BLACKLINE® pump for up to 12 months is considered short-term. The recommended short-term storage procedures are:

- a) Store the pump indoors at room temperature in a dry environment.
- b) If required by the operating environment, take precautions to prevent entry of water or humid air into the eccentric enclosure.
- c) Prior to startup, perform a complete inspection and then start up in accordance with instructions in this manual.

3.1.2 Long Term

Every twelve months, in addition to the above short-term procedures, verify the oil level, power up the motor and operate the pump for a minimum of one hour. It is not necessary to have liquid in the reagent head during this operation, but the suction and discharge ports must be open to atmosphere.

After twelve months of storage, Pulsafeeder's warranty cannot cover items that are subject to deterioration with age, such as seals, gaskets, and diaphragms. If the pump has been in storage longer than 12 months it is recommended that these items be inspected and replaced as necessary prior to startup. Materials and labor to replace this class of item under this circumstance are the purchaser's responsibility. Consult your local Pulsafeeder representative for assistance in obtaining parts and service for your pump.

4. Installation

4.1 Location

When selecting an installation site or designing a chemical feed system, consideration should be given to access for routine maintenance.

BLACKLINE® pumps are designed to operate indoors and outdoors, but it is desirable to provide a hood or covering for outdoor service. External heating is required if ambient temperatures below 0° C (32° F) are anticipated, especially if pumps are not in continuous duty. Check with the factory if concerned with the suitability of the operating environment.

The pump must be rigidly bolted to a solid and flat foundation to minimize vibration, which can loosen connections. When the pump is bolted down, care must be taken to avoid distorting the base and affecting alignments. The pump must be level within 5°. This will assure that the check valves can operate properly.

4.2 Piping System

1. All systems should include a pressure relief valve on the discharge side, to protect piping and process equipment, including the pump, from excess process pressures. **An external relief valve is required!** There should be no devices capable of restricting flow (such as a valve) located between the pump and the relief device.
2. Shutoff valves and unions (or flanges) on suction and discharge piping are recommended. This permits check valve inspection without draining long runs of piping, making periodic maintenance and inspection easier.

Shutoff valves should be of the same size as connecting pipe. Ball valves are preferred since they offer minimum flow restriction.

3. Suction systems should include an inlet strainer, if appropriate for the product being pumped. Pump check valves are susceptible to dirt and other solid contaminants, and any accumulation can cause malfunction. The strainer should be located between the suction shutoff valve and the pump suction valve. It must be sized to accommodate the flow rate and the anticipated level of contamination. A 100 mesh screen size is generally recommended for up to 4 GPH, 60 Mesh for up to 13 GPH, 50 mesh for up to 26 GPH, 40 Mesh for up to 79 GPH and 30 mesh for flow rates above 80 GPH.
4. Vacuum/pressure gauges in the suction and discharge lines are helpful in order to check system operation. Gauges should be fitted with protective shutoff valves for isolation while not in use.
5. Piping weight must not be supported by valve housings or other portions of the reagent head, as the resulting stresses can cause leaks. If appropriate, provide for thermal expansion and contraction so that no excess force or moments are applied to the pump.
6. When making process connections, ensure that the check valve assemblies do not rotate as the threaded connections are secured. It is critical, especially with plastic construction, that the check valves not be too tight into the reagent head. The threaded connection between the check valve assembly and the reagent head uses an o-ring seal and does not require sealing tape or any other sealant.
7. In piping assembly, use a sealing compound chemically compatible with the process material. Users of sealing tape are cautioned to ensure that the entering pipe thread ends are not taped, and that tape is removed from previously-used threads to the maximum practical extent prior to re-use. Both new and existing piping should be cleaned, preferably by flushing with a clean liquid (compatible with process material) and blown out with air, prior to connection to the pump. Debris from the piping system that prevents proper check valve operation is a common startup issue.
8. Note that for pumps which utilize cartridge-type check valve assemblies, no thread tape or sealant is required on the threads which secure the cartridge assembly to the pump reagent head. This area is sealed with o-rings integral to the cartridge. Sealant on these threads can actually degrade sealing capability.
9. For processes that require continuous non pulsating flow a pulsation dampener must be installed in the discharge line.

Suction Pressure Requirements

Although BLACKLINE® metering pumps have some suction lift capability, a flooded suction (i.e., suction pressure higher than atmospheric pressure) is preferable whenever possible. The pump should be located as close as possible to the suction side reservoir or fluid supply source.

For fluid with a vapor pressure of 5 psia or less (at operating temperature) the wet suction lift capability is approximately five (5) feet. If this requirement is not met, the pump will not provide reliable, accurate flow. In suction lift conditions, the use of a foot valve is recommended at the lowest point of the pickup tube or pipe. Pumps under suction lift conditions may require some liquid priming before they will operate reliably.

4.3 Discharge Pressure Requirements

All BLACKLINE® metering pumps are designed for continuous service at the rated discharge pressure. If system suction pressure exceeds discharge pressure (a condition sometimes described as “pumping downhill”), flow would be generated (siphoning) in addition to that caused by the pump. This results in a reduction in accuracy and loss of control over the metering process. To prevent this flow-through condition, the discharge pressure must exceed suction pressure by at least 0.35 Bar (5 psi). This can be achieved where necessary by the installation of a backpressure valve in the discharge line. Conditions where the actual discharge pressure exceeds the pump’s rating are to be avoided as they will cause damage to the pump components.

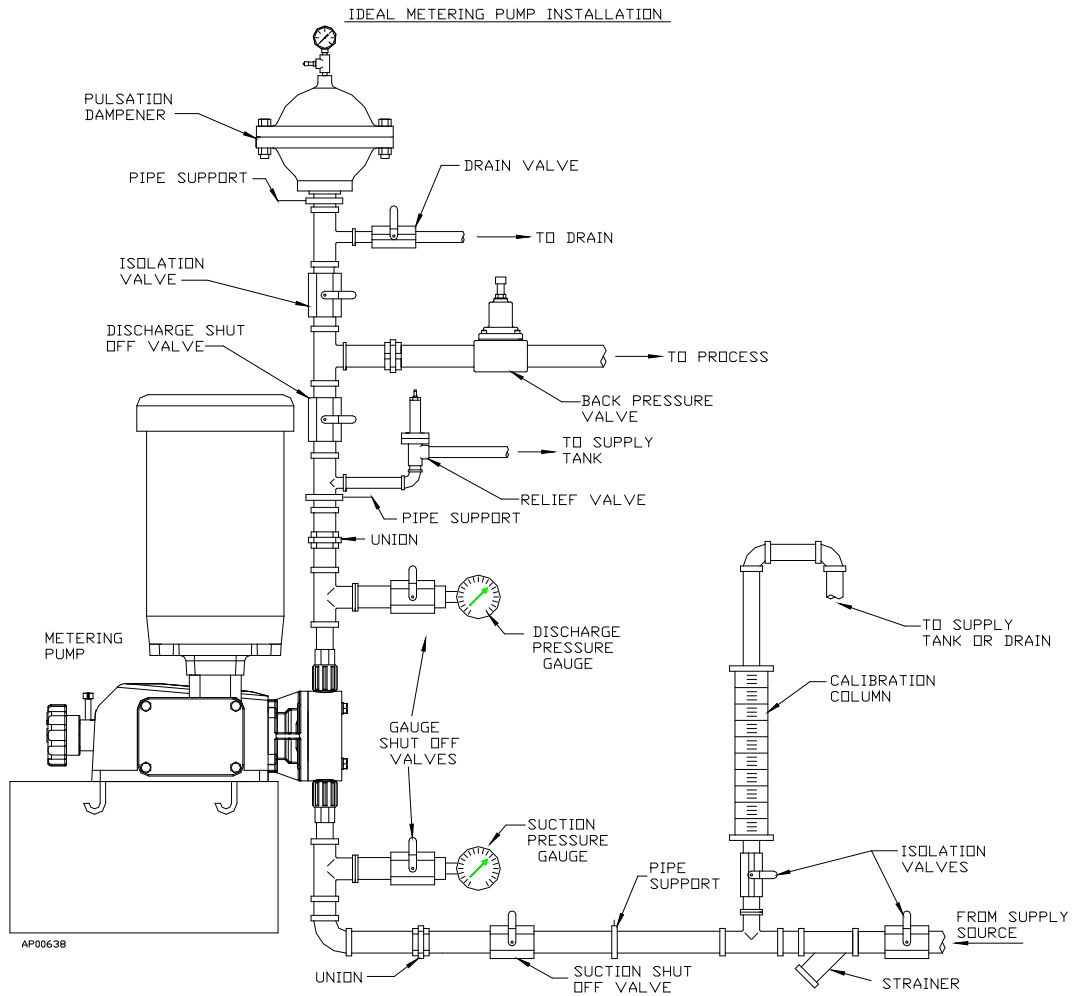


Figure 3, sample system configuration

5. Equipment Startup

5.1 Check oil level

All pumps are supplied filled with oil. To prevent oil spills during shipping, a temporary plug is provided. Before starting up the pump replace the temporary plug with the operational plug. Check the oil level daily.



5.2 Fastener Inspection

All pump fasteners should be checked prior to pump operation, and occasionally during use. This would include reagent head mounting bolts, motor mounting bolts, and the hardware that secures the pump to its foundation. Most hardware can be checked simply to ensure it is not loose. However, when checking reagent head bolt torque each bolt should be 44 lbf/inch.

5.3 Output Adjustment

All BLACKLINE® pumps have a hand wheel for manual stroke adjustment. The hand wheel can be adjusted to any point from 0 to 100%. This value represents the stroke length setting and therefore the flow rate of the pump relative to its maximum output.

5.3.1 Stroke Length Adjustment

The graduated knob from 0 to 10 rotates along a fixed linear vernier. The line of the fixed vernier is the benchmark to set the adjustment system at desired flow rate percentage value. One graduated knob complete turn corresponds to an adjustment change from 1% to 100%.



Figure 4

5.4 Priming the Reagent Head

1. When handling process liquids, follow all applicable personal and facility safety guidelines.
2. Ensure that the pump is ready for operation and that all process connections are secure.
3. Open the suction and discharge line shutoff valves.
4. If the piping system design and the storage tank are such that the product flows due to gravity through the pump, reduce the discharge pressure and the system will self prime when the pump is started. In the event the discharge line contains a significant amount of pressurized air or other gas, it may be necessary to lower the discharge pressure to enable the pump to self-prime.
5. If the installation involves a suction lift, it may be necessary to prime the reagent head and suction line. Operate the pump as in step 4 above; many times the pump will be capable of self priming. If it does not begin to pump, remove the discharge valve assembly. Carefully fill the reagent head through the discharge valve port with process (or compatible) liquid, and then reinstall the check valve.
6. Start the pump at the zero stroke length setting and slowly increase the setting to 100 to prime the pump. If this does not work, it will be necessary to fill the suction line.
7. Filling of the suction line will necessitate the use of a foot valve or similar device at the end of the suction line so that liquid can be maintained above the reservoir level. Remove the suction valve assembly, fill the line, replace the suction valve, then remove the discharge valve assembly and fill the reagent head as described in Step (5) above. The pump will now self-prime when started up per step (6) above. Use appropriate precautions if handling process fluid. Ensure that any other fluid used for priming is compatible with the product that will be pumped.

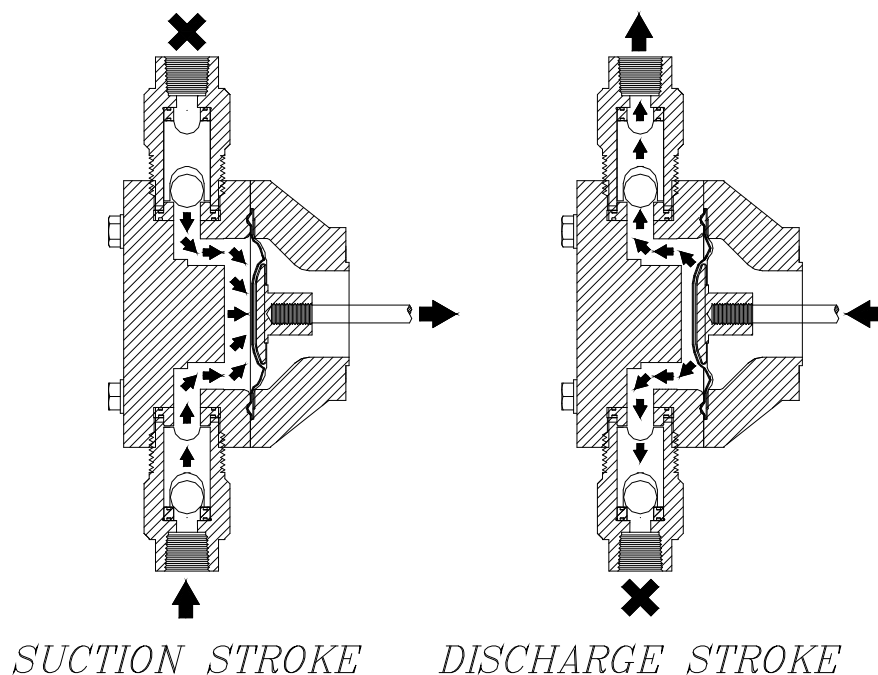


Figure 5, process flow

5.5 Calibration

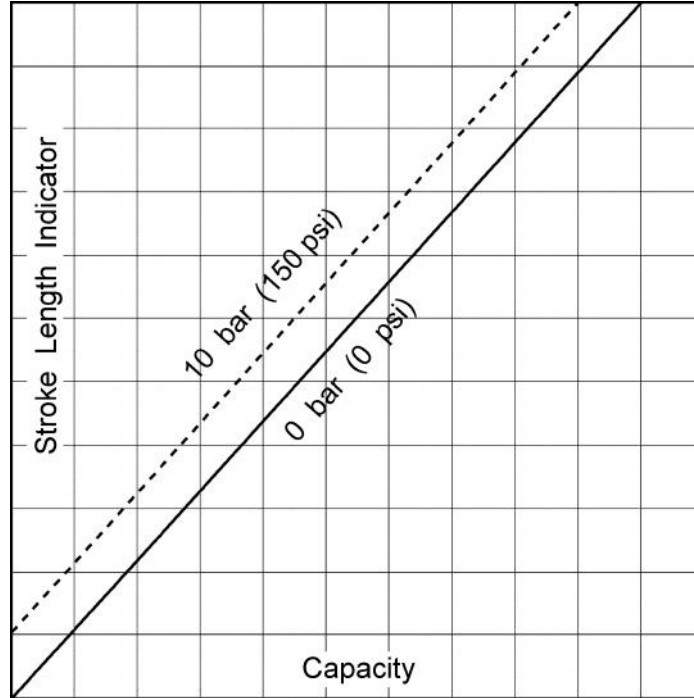


Figure 6, sample flow calibration curve

All metering pumps must be calibrated to accurately specify stroke length settings for required flow rates.

A typical calibration chart is shown above. Although output is linear with respect to stroke length setting, an increase in discharge pressure decreases output uniformly, describing a series of parallel lines, one for each pressure (only two are shown).

The theoretical output flow rate at atmospheric discharge pressure is based on the displacement of the diaphragm, stroke length and the stroking rate of the pump. With increasing discharge pressure there is a corresponding decrease in output flow. Pumps are rated for a certain flow at a rated pressure (check nameplate). Whenever possible, calibration should be performed under actual process conditions (i.e., the same or a similar process liquid at system operating pressure).

To construct a calibration chart, measure the flow rate several times at three or more stroke settings (e.g., 25, 50, 75, and 100), plot these values on linear graph paper, and draw a best-fit line through the points. For stable conditions, this line should predict settings to attain required outputs.

All users are encouraged to test the flow rate of their pump once installed in their system, to ensure best accuracy and reliable operation.

6. Maintenance



BEFORE PERFORMING ANY MAINTENANCE REQUIRING REAGENT HEAD OR VALVE (WET END) DISASSEMBLY, DISCONNECT POWER, BE SURE TO RELIEVE PRESSURE FROM THE PIPING SYSTEM AND, WHERE HAZARDOUS PROCESS MATERIALS ARE INVOLVED, RENDER THE PUMP SAFE TO PERSONNEL AND THE ENVIRONMENT BY CLEANING AND CHEMICALLY NEUTRALIZING AS APPROPRIATE. WEAR PROTECTIVE CLOTHING AND EQUIPMENT AS APPROPRIATE.

Accurate records from the early stages of pump operation will indicate the type and levels of required maintenance. A preventative maintenance program based on such records will minimize operational problems. It is not possible to forecast the lives of wetted parts such as diaphragms and check valves. Since corrosion rates and operational conditions affect functional material life, each metering pump must be considered according to its particular service conditions.

The BLACKLINE® KOPkit will contain all replacement parts normally used in a preventative maintenance program. It is recommended that spare parts and replacement oil be kept available at all times.

6.1 Lubrication

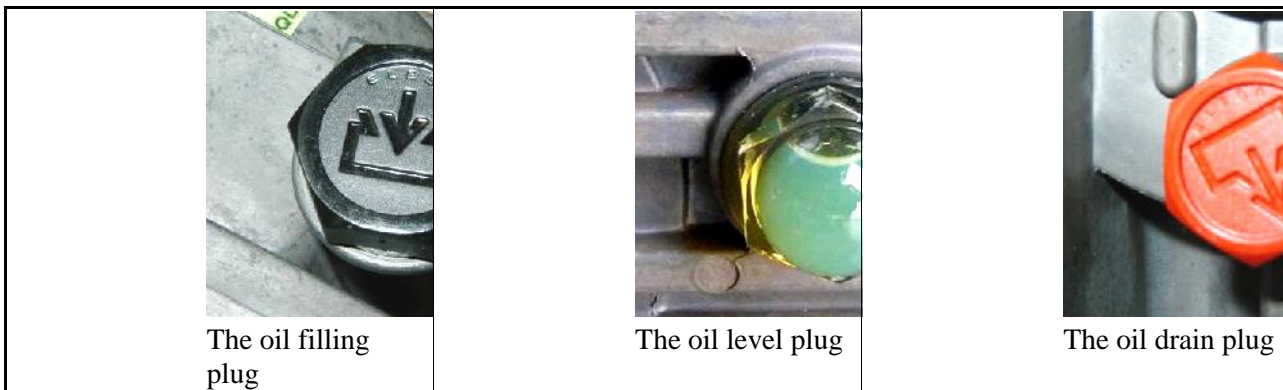
BLACKLINE® pumps are supplied completely lubricated from the factory. For optimum pump performance under normal conditions, oil should be changed after the first 1000 hours of operation and 10,000 hours thereafter. For severe service in extreme temperatures or very dirty environments, this interval may be shorter. Check the oil level daily to ensure it is half way on the site indicator.



NOTE: Chemically contaminated lubricants can cause wear, corrosion and leaking seals. Preferably, always replace all the oil rather than refilling to the site glass half way point.

The oil filling plug, the oil level plug, and the oil drain plug, are all placed on the reduction gear body.

The following images allow easy identification of the different plugs.



Following table shown quantity and type of lubricant oils suggested:

Use lubricating oil different than suggested is permitted only if the characteristics are compatible/equivalent. Use mineral oil for gears with a ISO VG 320 viscosity index (320 cSt at 40 °C or 23 °E at 50 °C)

The MD series holds 400mL of oil (approximately ½ quart)

Suggested oils.

OIL MAKE	OIL TYPE/NAME
SHELL	OMALA OIL 320
ESSO	SPARTAN EP 320
MOBIL	MOBILGEAR 632
IP	MELLANA OIL 320
AGIP	BLASIA 320

6.2 Wet End Removal, Inspection, & Reinstallation



IF THE DIAPHRAGM HAS FAILED, PROCESS FLUID MAY HAVE CONTAMINATED THE PUMP ECCENTRIC HOUSING (ALTHOUGH NORMALLY, ANY PROCESS FLUID BEHIND A FAILED DIAPHRAGM WOULD PASS THROUGH THE BOTTOM DRAIN HOLE). HANDLE WITH APPROPRIATE CARE.

6.2.1 Diaphragm Removal & Reinstallation

Rupture of the diaphragm is usually caused by excessive pressure and/or handled fluid under high temperatures.

The mechanical diaphragm lifespan is related to the actual working conditions of the pump:

- over 20,000 hours, for intermittent service (12/24 hours)
- 10,000 operating hours, with continuous service (24/24 hours)

The values are estimates and may differ depending on actual pump service conditions.

The disassembly and replacement of pump head and diaphragm instructions are the same for all pump models



NOTE: BEFORE starting to disassemble, make sure there is no pressure or high temperature in the pipeline !

- Release the pump from suction and discharge pipeline, and clean adequately
- Disassemble both valve units from the pump head

- Unscrew all pump head locking screws (item#29) then remove the head body (item#21)
- Unscrew the mechanical diaphragm (item#32) by turning it in anti-clockwise direction
- Clean inside the diaphragm chamber (item#33) and the head body (item#21), especially along the diaphragm pinching zone
- Before screwing on the new diaphragm, apply grease on diaphragm locking screw (threaded end of the slide item#102)
- Screw on the diaphragm (item#32) make sure it reaches the edge on the slide (item#102)
- Reassemble the pump head (item#21) following in reverse these instructions and refers to the figures about the type of pump
- Fix the pump head by means of the locking screws (item#29); see section 6.2 "fastener inspection"

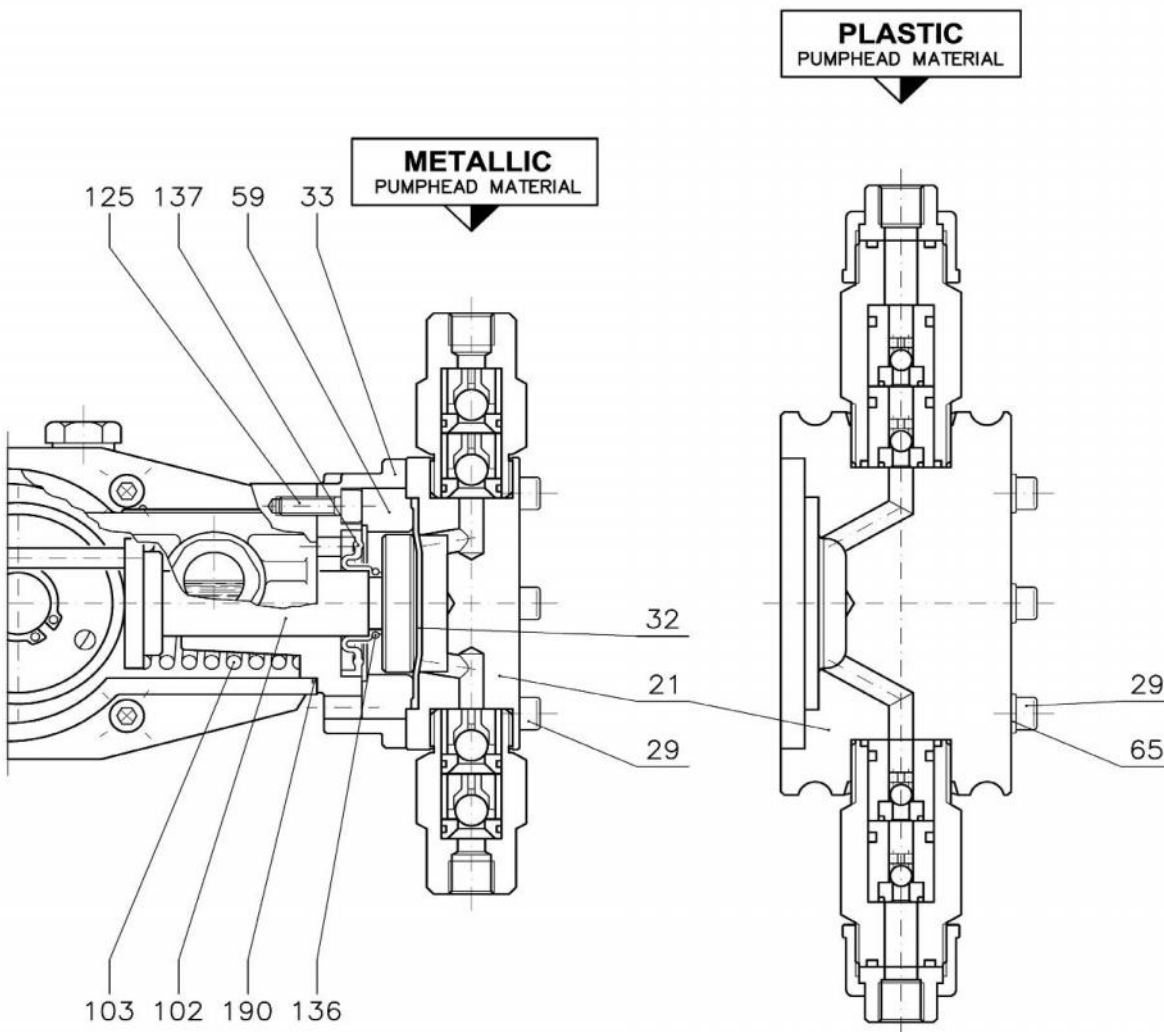


Figure 7

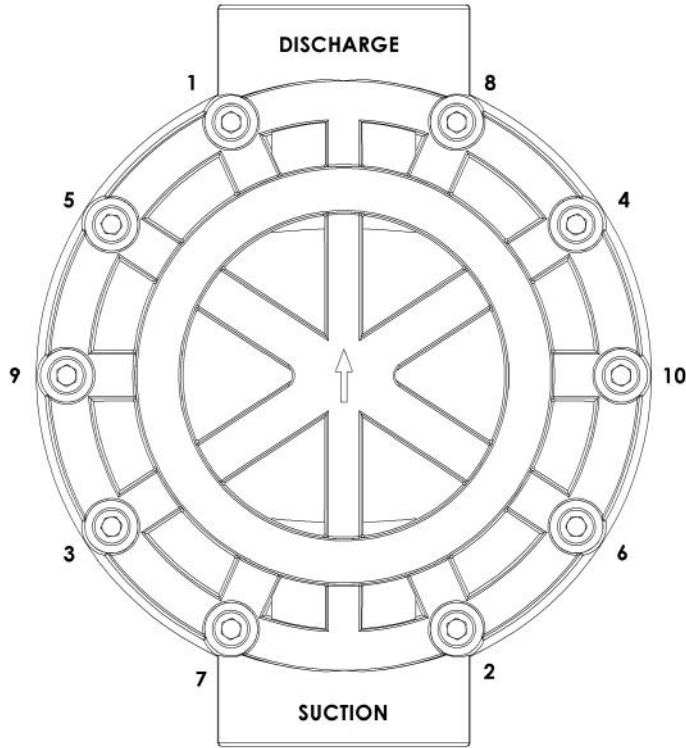


Figure 8, pump head screw tightening sequence pattern for 1/2" & 3/4" pumps

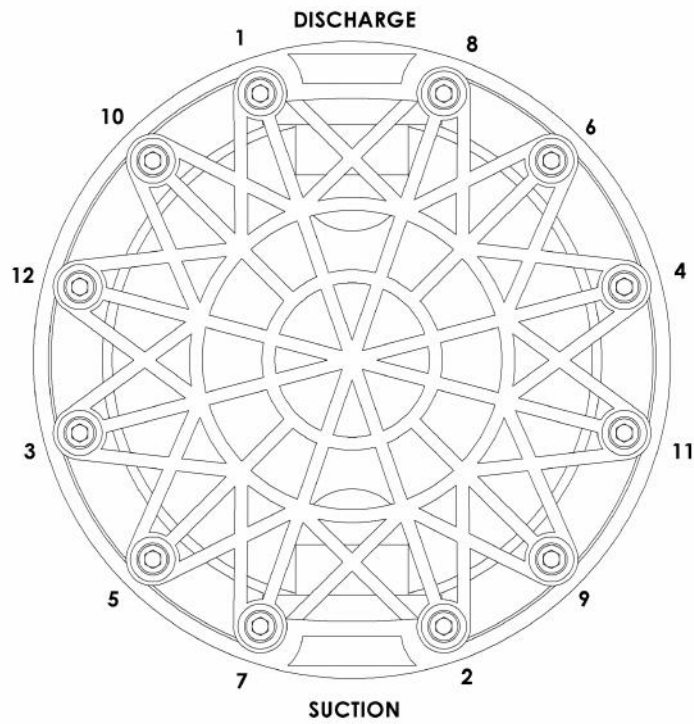


Figure 9, pump head screw tightening sequence pattern for 1" pump

DIAPHRAGM Ø	SCREW SIZE	PUMP HEAD MATERIAL	PUMP HEAD MATERIAL PLASTIC		
		METALLIC	PP (PP)	PVDF (S)	PTFE (T)
INCHES	METRIC	FT.-LBS.	FT.-LBS.	FT.-LBS.	FT.-LBS.
3.70-4.25	M6	2.58	2.58	2.58	2.58
5.43	M6	3.69	3.69	3.69	3.69
6.50	M6	3.69	3.69	3.69	3.69
9.40	M12	44	30	44	22

Figure 10, pump head screw torque specifications

6.3 Check Valves

Most fluid metering service requirements are related to check valves. Service requirements usually stem from solids accumulation between valve and seat, corrosion of seating surfaces, erosion, or physical damage due to wear or the presence of foreign objects.

The valve incorporates a ball, guide, and seat. Flow in the unchecked direction lifts the ball off the seat, allowing liquid to pass through the guide. Reverse flow forces the ball down, sealing it against the sharp edge of the seat. The guide permits the ball to rotate but restricts vertical and lateral movement in order to minimize “slip” or reverse flow. Ball rotation prolongs life by distributing wear over the entire surface of the ball. Since ball return is by gravity, the valve must be in the vertical position in order to function properly. Parts are sealed by “O”-rings.

All BLACKLINE models utilize a convenient cartridge-type check valve. All check components are pre-assembled and the cartridge should be replaced as a unit. When replacing, note that valves are marked with the flow direction, as the suction and discharge configurations are different.

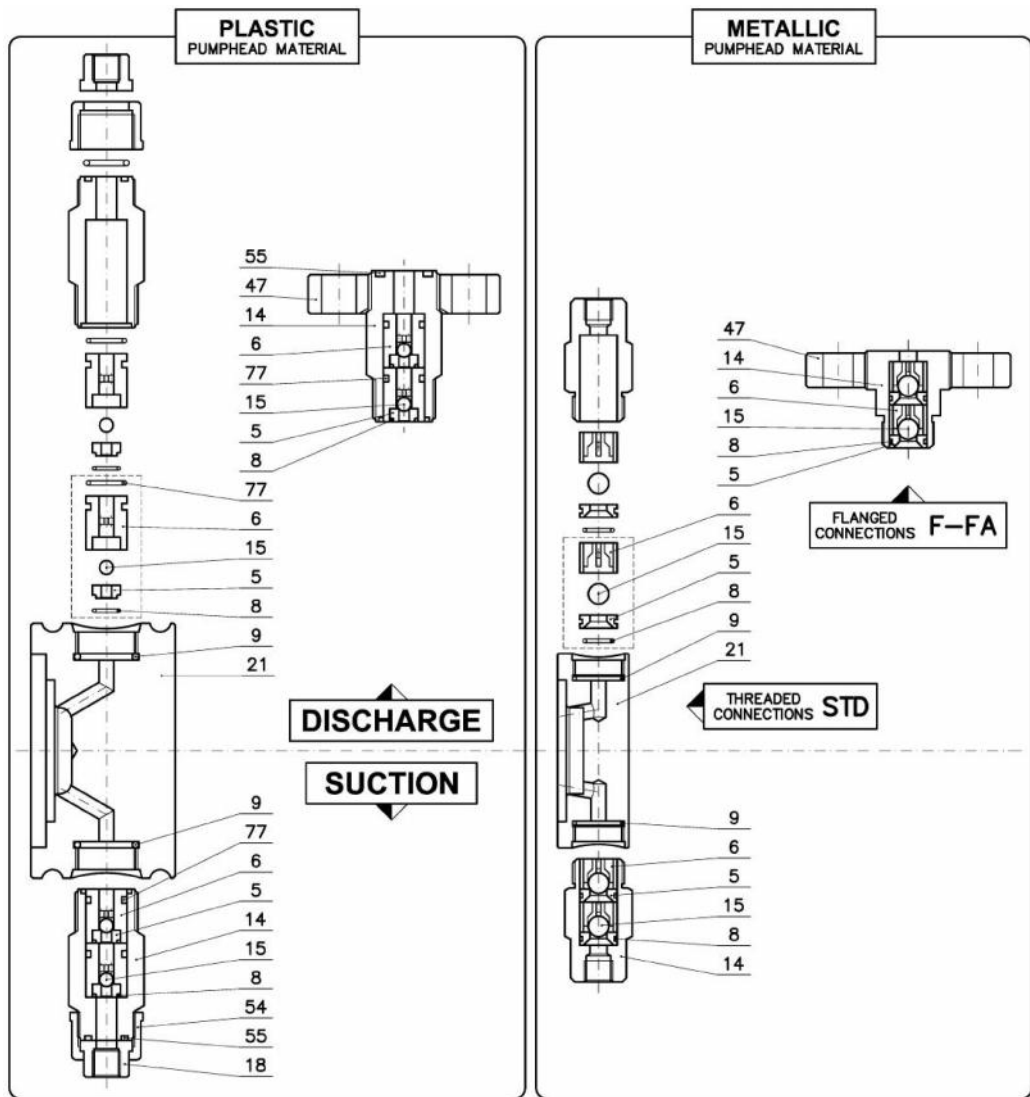


Figure 11, check valves to 60 GPH

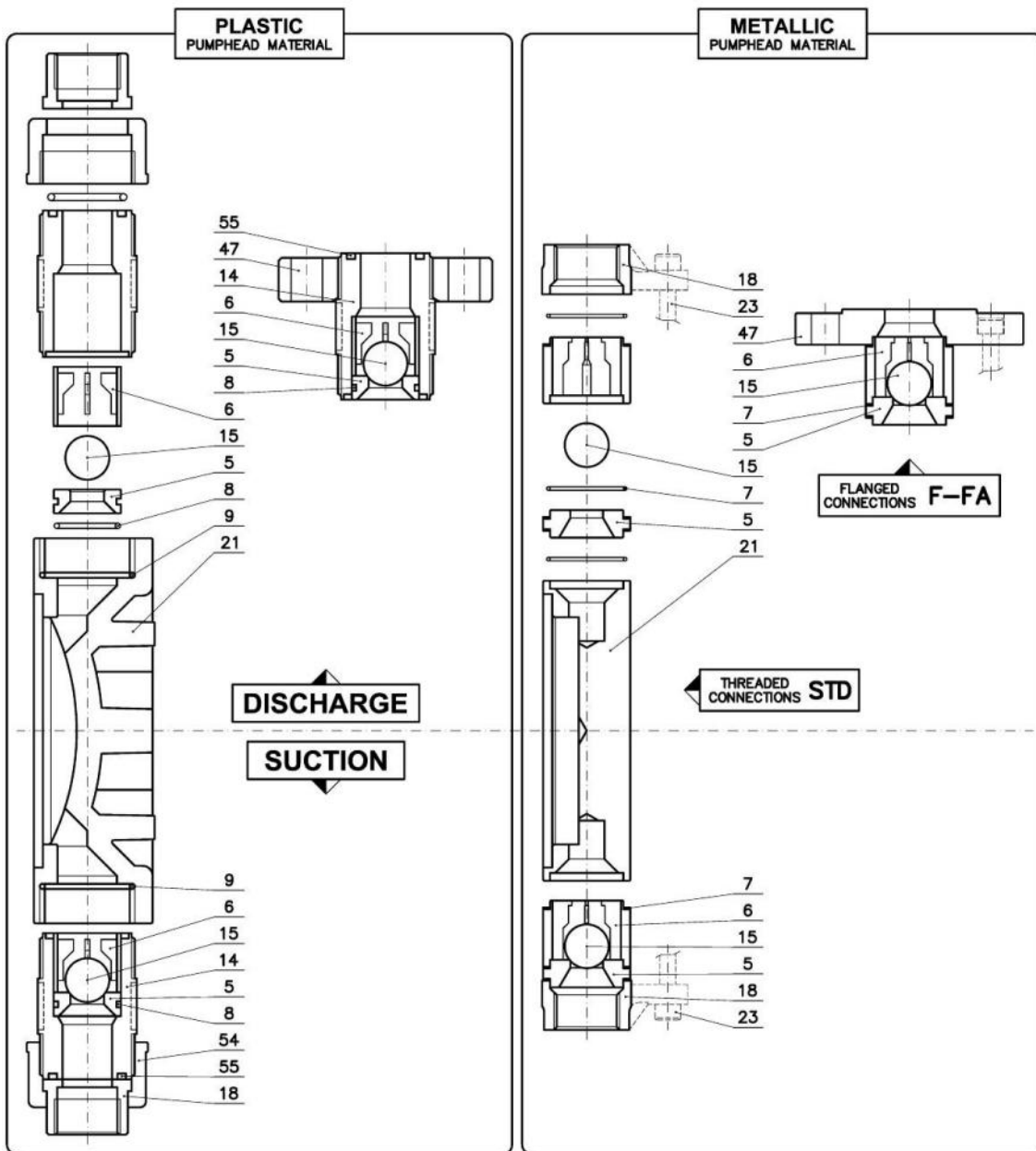


Figure 12, check valves to 137 GPH

6.3.1

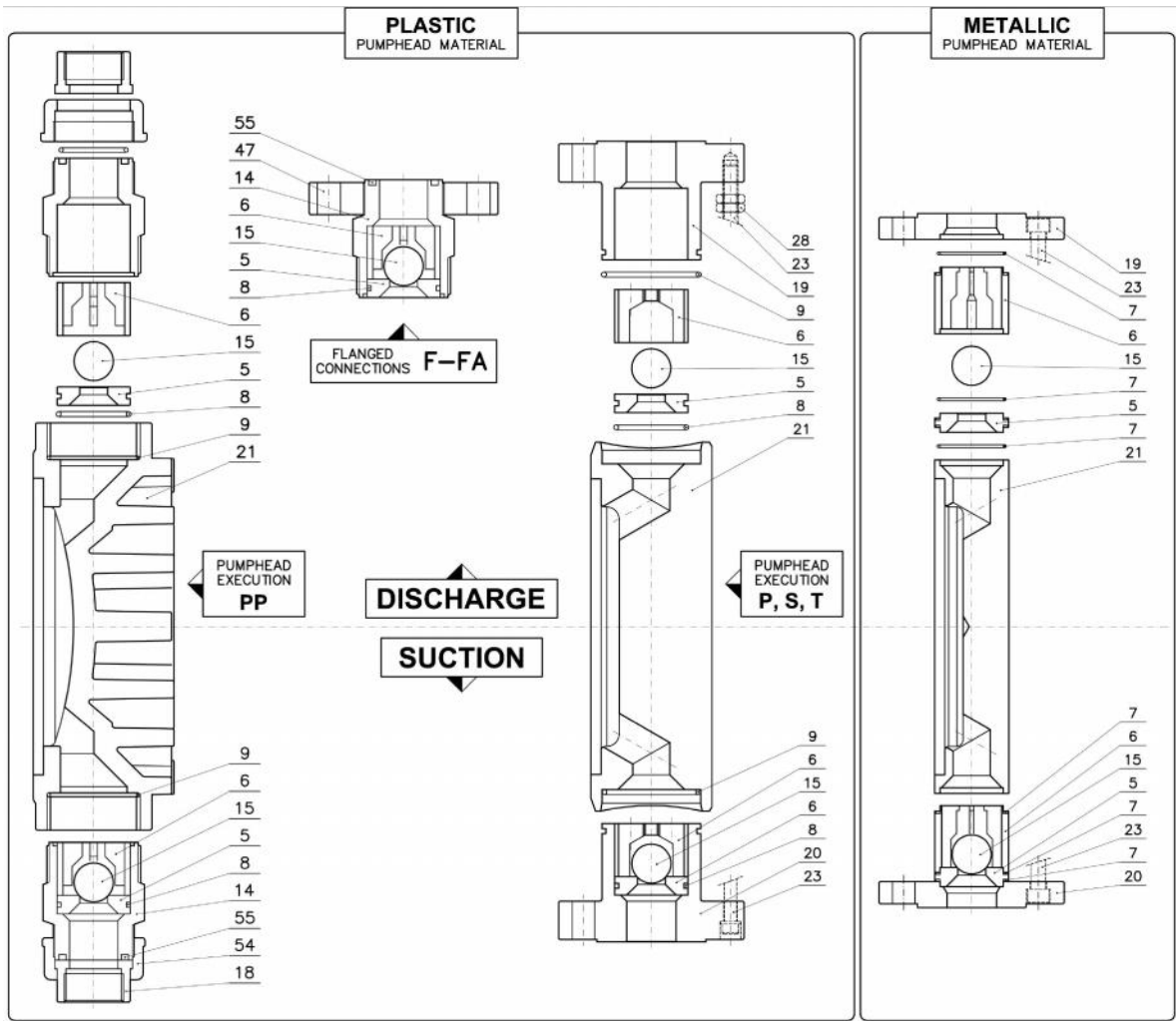


Figure 13, check valves to 158 GPH to 396 GPH

6.3.2 Check Valve Removal & Reinstallation, Cartridge type



Valving that is of the cartridge design is intended to be replaced as an assembly.

1. Disconnect the power source to the drive motor.
2. Relieve all pressure from the piping system.
3. Take all precautions necessary to prevent contamination to the environment and personnel exposure to hazardous materials.
4. Close the inlet and outlet shutoff valves.
5. Disconnect the suction piping at the installed union near the suction port.
6. Loosen and remove the suction valve cartridge slowly to drain any liquid from the reagent head.
7. Disconnect the discharge piping at the installed union near the discharge port.
8. Loosen and remove the discharge valve cartridge slowly to drain any trapped liquid.
9. Reinstall both new valve assemblies, taking care to ensure that they are in the correct ports.



Do not coat the threads of the cartridge valve with a pipe sealant. Each valve cartridge should be tightened only until the o-ring seal makes good contact with the reagent head surface. Over-tightening will cause damage and result in leaks

10. Reinstall both suction and discharge piping. Secure the cartridge while making your external connections to prevent rotating the cartridge and over-tightening it into the pump.

6.4 Motor Removal & Reinstallation

1. Disconnect the power source to the drive motor.
2. Disconnect the motor wiring from the motor.
3. Remove the four bolts retaining the motor to the motor adaptor.
The motor shaft fits into a bore on the pump input shaft.
Be careful not to lift the pump input shaft up out of the pump.
4. Apply a lubricant such as Loctite™ Silver Grade® Anti-seize paste (or similar) to the motor shaft and key before reassembling..
5. Reinstall the motor by sliding the motor shaft into the pump input shaft.
6. Insert and tighten the four bolts removed in step 3.
7. Reconnect the motor wiring to the motor.
8. Connect power to the drive motor.

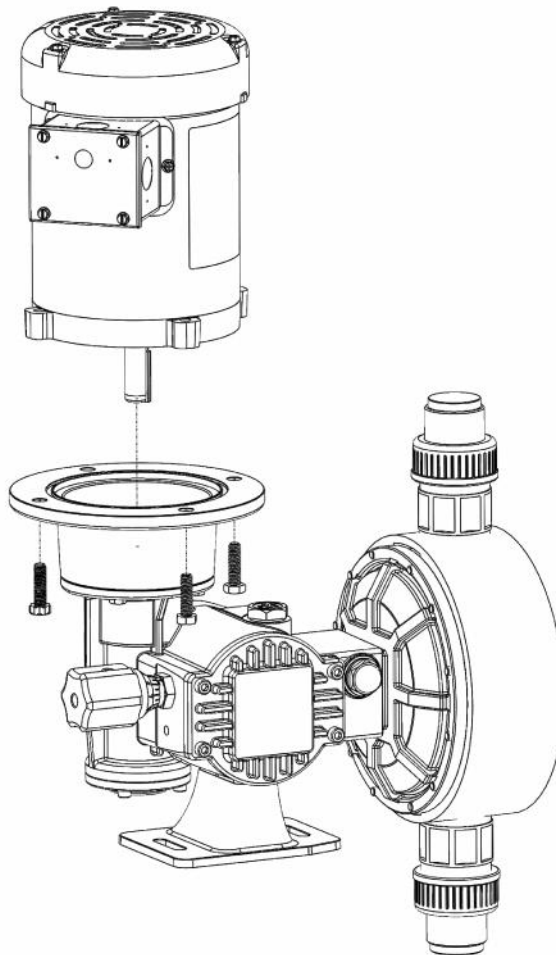


Figure 14, motor mounting



Motor rotation must be wired for CCW rotation, as viewed from the top of the motor.

7. Replacement Parts

When ordering Replacement Parts use the first four(4) digits of your model number (look on serial tag) in the first column below to find replacement parts.

BLACKLINE Series Parts					
MODEL	VALVE KITS	PUMP HEAD KIT	DIAPHRAGM KIT	DIAPHRAGM CHAMBER KIT	GEAR KIT
MD1AAAS	VK1AE-AAS	HD1AE-AAS	DIA-AE-1	DC-AE	GEAR-MD1A
MD1AKTP	VK1AE-KTP	HD1AE-KTP	DIA-AE-1	DC-AE	GEAR-MD1A
MD1APPP	VK1AE-PPP	HD1AE-PPP	DIA-AE-1	DC-AE	GEAR-MD1A
MD1BAAS	VK1AE-AAS	HD1AE-AAS	DIA-AE-1	DC-AE	GEAR-MD1B
MD1BKTP	VK1AE-KTP	HD1AE-KTP	DIA-AE-1	DC-AE	GEAR-MD1B
MD1BPPP	VK1AE-PPP	HD1AE-PPP	DIA-AE-1	DC-AE	GEAR-MD1B
MD1CAAS	VK1AE-AAS	HD1AE-AAS	DIA-AE-1	DC-AE	GEAR-MD1C2F
MD1CKTP	VK1AE-KTP	HD1AE-KTP	DIA-AE-1	DC-AE	GEAR-MD1C2F
MD1CPPP	VK1AE-PPP	HD1AE-PPP	DIA-AE-1	DC-AE	GEAR-MD1C2F
MD1DAAS	VK1AE-AAS	HD1AE-AAS	DIA-AE-1	DC-AE	GEAR-MD1D2J
MD1DKTP	VK1AE-KTP	HD1AE-KTP	DIA-AE-1	DC-AE	GEAR-MD1D2J
MD1DPPP	VK1AE-PPP	HD1AE-PPP	DIA-AE-1	DC-AE	GEAR-MD1D2J
MD1EAAS	VK1AE-AAS	HD1AE-AAS	DIA-AE-1	DC-AE	GEAR-MD1E2K
MD1EKTP	VK1AE-KTP	HD1AE-KTP	DIA-AE-1	DC-AE	GEAR-MD1E2K
MD1EPPP	VK1AE-PPP	HD1AE-PPP	DIA-AE-1	DC-AE	GEAR-MD1E2K
MD2FAAS	VK2FK-AAS	HD2FK-AAS	DIA-FK-1	DC-FK	GEAR-MD1C2F
MD2FKTP	VK2FK-KTP	HD2FK-KTP	DIA-FK-1	DC-FK	GEAR-MD1C2F
MD2FPPP	VK2FK-PPP	HD2FK-PPP	DIA-FK-1	DC-FK	GEAR-MD1C2F
MD2JAAS	VK2FK-AAS	HD2FK-AAS	DIA-FK-1	DC-FK	GEAR-MD1D2J
MD2JKTP	VK2FK-KTP	HD2FK-KTP	DIA-FK-1	DC-FK	GEAR-MD1D2J
MD2JPPP	VK2FK-PPP	HD2FK-PPP	DIA-FK-1	DC-FK	GEAR-MD1D2J
MD2KAAS	VK2FK-AAS	HD2FK-AAS	DIA-FK-1	DC-FK	GEAR-MD1E2K
MD2KKTP	VK2FK-KTP	HD2FK-KTP	DIA-FK-1	DC-FK	GEAR-MD1E2K
MD2KPPP	VK2FK-PPP	HD2FK-PPP	DIA-FK-1	DC-FK	GEAR-MD1E2K
MD3GAAS	VK3G-AAS	HD3G-AAS	DIA-G-1	DC-G	GEAR-MD3G
MD3GKTP	VK3G-KTP	HD3G-KTP	DIA-G-1	DC-G	GEAR-MD3G
MD3GPPP	VK3G-PPP	HD3G-PPP	DIA-G-1	DC-G	GEAR-MD3G

BLACKLINE Series Parts All Models	
Part Number	Description
PLUG-AK	Plug Kit includes: oil draining plug (6), oil filling plug (6), site glass (6)
COUPLING KIT-AK	Coupling Kit includes: coupling (1), O-ring (1), key (1)
BASE-AK	Mounting Base includes: mounting base (1)
KNOB-AK	Setting Knob Kit includes: setting knob (1)

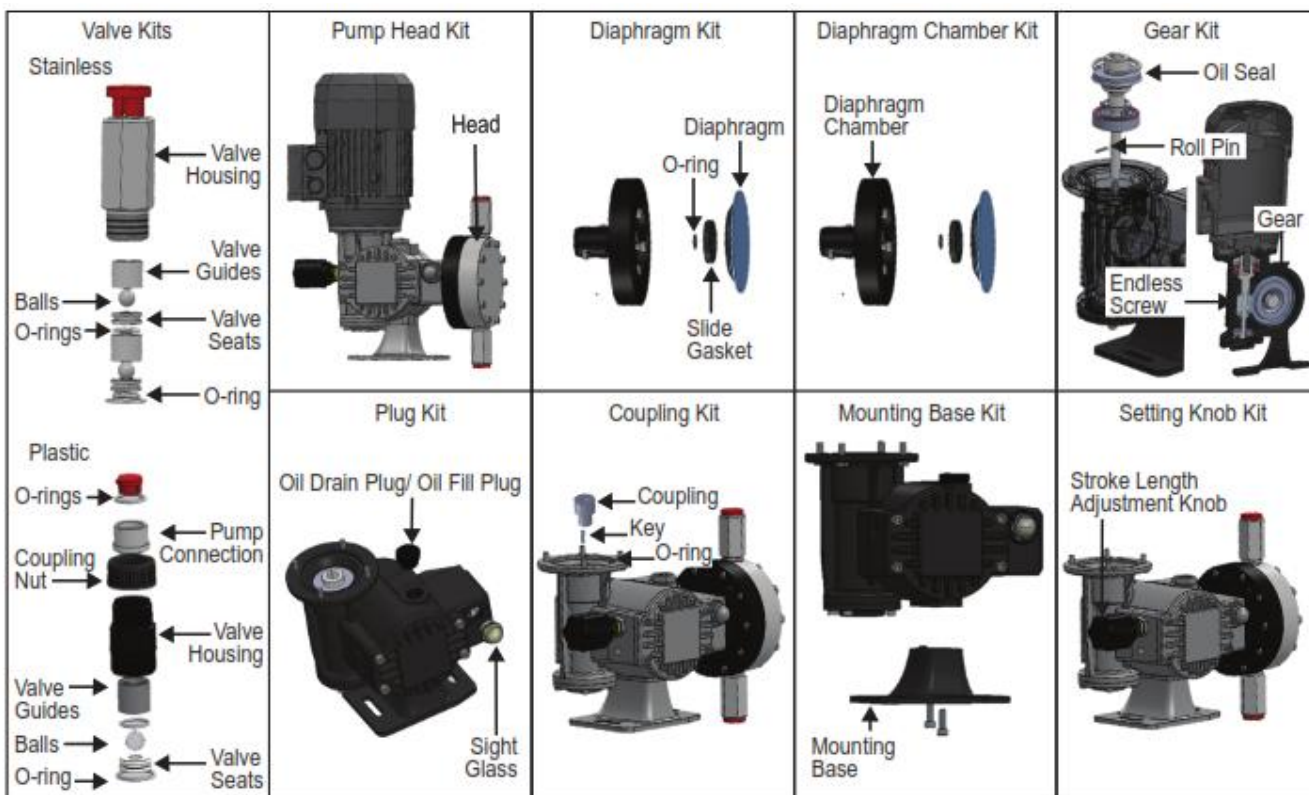


Figure 15, Replacement Kits

7.1 Ordering Parts

When ordering replacement parts always specify:

- Pump model and serial number (from pump nameplate), e.g., Model No. (MD2FAASN4A-XXX) with Serial No. 824213.

8. Model Number Identification

Position	Sample	Specifies	Options
1 and 2	MD		MD = BLACKLINE model pump
3 and 4	3B	Size/Flow	1 / 2 / 3 / 4 – diaphragm diameter A / B / C / D – stroking rate See sales literature for flow/pressure ratings
5 to 7	KTP	Liquid End	KTP – PVDF Head / PTFE Valve Seat / Pyrex Valve Check Ball Size PPP – Glass Filled Polypropylene Head / PVC Valve Seat / Pyrex Valve Check Ball AAS – 316SS Head / 316SS Valve Seat / 316SS Valve Check Ball280 KMM – PVDF Head / Incoloy 825 Valve Seat / Hastelloy C-276 Valve Check Ball
8	N	Wetted materials	N –NPT Connections B – BSPT connection
9	1	Motor Options	1 – TEFC - NEMA 56C, 1P, 115/230V, 60Hz, 1/2 Hp 2 - TEFC - NEMA 56C, 3P, 230/460V, 50/60Hz, 1/2 Hp (VFD 10:1) 3 - Ex.Proof - NEMA 56C, 1P, 115/230V, 60Hz, 1/2 Hp 4 - Ep. Proof - NEMA 56C, 3P, 230/460V, 60Hz, 1/2 Hp 5 - TEFC - IEC 71, 1P, 115/230V, 50/60Hz, .37kW 6 - TEFC - IEC 71, 3P, 220/380/460V, 50/60Hz, .37kW (VFD 10:1) 7 - Ex. Proof - IEC 71, 1P, 115/230V, 50/60Hz, .37kW 8 - Ex. Proof - IEC 71, 3P, 220/380/460V, 50/60Hz, .37kW X - No Motor - NEMA 56C Frame Ready Y - No Motor - IEC 71 Frame Ready VFD
9	VFD Options		A – No VFD installed C - VFD, 115/230V, NEMA 4X, IP65 Enclosure, 1 Phase, Motor 2 & 6 Only
10	Options		XXX – No Options

9. Troubleshooting

Difficulty	Probable Cause	Remedy
Pump does not start	Faulty power source.	Check power source.
	Blown fuse, circuit breaker.	Replace - eliminate overload.
	Broken wire.	Locate and repair.
	Wired improperly.	Check diagram.
	Process piping blockage.	Open valves, clear other obstructions.
No delivery	Motor not running.	Check power source. Check wiring diagram.
	Supply tank empty.	Fill tank.
	Lines clogged.	Clean and flush.
	Closed line valves.	Open valves.
	Ball check valves held open with solids.	Clean – inspect, flush with clear fluid.
	Vapor lock, cavitation.	Increase suction pressure.
	Prime lost.	Re-prime, check for leak.
	Strainer clogged.	Remove and clean. Replace screen if necessary.
Stroke adjustment set at zero.	Increase stroke length setting.	
Low delivery	Motor speed too low	Check voltages, frequency, wiring, and terminal connections. Check nameplate vs. Specifications.
	Check valves worn or dirty	Clean, replace if damaged
	Calibration system error	Evaluate and correct
	Product viscosity too high	Lower viscosity by increasing product temperature or dilution. Increase pump and/or piping size
	Product cavitating	Increase suction pressure.
Delivery gradually drops.	Check valve leakage.	Clean, replace if damaged.
	Leak in suction line.	Locate and correct.
	Strainer fouled.	Clean or replace screen.
	Product change.	Check viscosity and other variables.
	Supply tank vent plugged.	Unplug vent.
Delivery erratic.	Leak in suction line.	Locate and correct.
	Product cavitating.	Increase suction pressure.
	Entrained air or gas in product.	Consult factory for suggested venting.
	Motor speed erratic.	Check voltage and frequency.
	Fouled check valves.	Clean, replace if necessary.
	Inadequate backpressure	Increase discharge pressure to obtain a minimum pressure difference of 5 psi from suction to discharge
Delivery higher than rated.	Suction pressure higher than discharge pressure.	Install backpressure valve or consult factory for piping recommendations.
	Back pressure valve set too low.	Increase setting.
	Back pressure valve leaks.	Repair, clean, or replace.

Difficulty	Probable Cause	Remedy
	Discharge pressure too high.	Reduce pressure.
	Water hammer.	Install pulsation dampener.
	Stroke length at partial setting.	Some operating noise is characteristic of lost motion pumps.
Piping noisy.	Pipe size too small.	Increase size of piping - install pulsation dampener.
	Pipe runs too long.	Install pulsation dampener in line.
	Pulsation dampener inoperative or flooded.	Refill with air or inert gas. Inspect and replace diaphragm and recharge.
	No surge chamber or dampener used.	Install pulsation dampeners.
Motor overheats.	Pump overloaded.	Check operating conditions against pump design. Verify discharge pressure
	High or low voltage.	Check power source.
	Loose wire.	Trace and correct.
	Incorrect motor wiring	Verify and correct

10. Piping Accessories

Pressure Relief Valves

Pressure relief valves are designed to protect chemical feed systems from damage that may be caused by defective equipment or a blockage in the discharge line. These valves function to limit the pressure downstream of the pump. Field adjust the pressure relief valve to operate when the discharge pressure exceeds operating pressure by 10-15%. Pressure relief valve should always be adjusted to a setting below the maximum rated pressure of the pump. No potentially restrictive components, such as a valve, should be installed between the pump discharge and the PRV.

Diaphragm Backpressure Valve

A diaphragm backpressure valve creates constant back pressure. A PTFE or PTFE-faced diaphragm offers maximum chemical protection and service life, and seals spring and bonnet from product.

Be sure to install with fluid flow in direction of arrow on valve body.

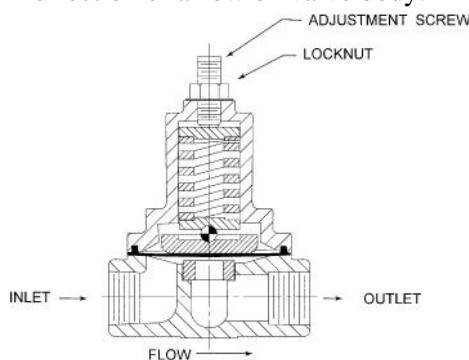
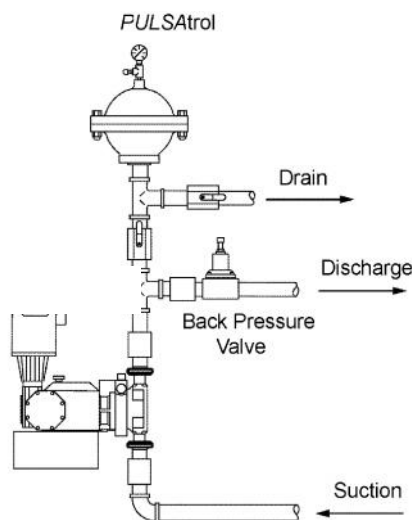


Figure 16

Pulsation Dampener

A pulsation dampener is a pneumatically charged diaphragm-type chamber that intermittently stores hydraulic energy. Used on the inlet, it can improve NPSHA (Net Positive Suction Head available) characteristics of the suction piping system. On the discharge line it will reduce discharge pressure and pulsating flow variations.



DISCHARGE INSTALLATION

Figure 17

11.0 POLICIES AND PROCEDURES

11.1 MANUFACTURERS PRODUCT WARRANTY

The manufacturer warrants its equipment of its manufacture to be free of defects in material or Liability under this policy extends for 24 months from date of shipment from the factory. The manufacturer's liability is limited to repair or replacement of any device or part, which is returned, prepaid, to the factory and which is proven defective upon examination. This warranty does not include installation or repair cost and in no event shall the manufacturer's liability exceed its selling price of such part.

The manufacturer disclaims all liability for damage to its products through improper installation, maintenance, use or attempts to operate such products beyond their functional capacity, intentionally or otherwise, or any unauthorized repair. Replaceable elastomeric parts are expendable and are not covered by any warranty either expressed or implied. The manufacturer is not responsible for consequential or other damages, injuries or expense incurred through use of its products.

The above warranty is in lieu of any other warranty, either expressed or implied. The manufacturer makes no warranty of fitness or merchantability. No agent of ours is authorized to make any warranty other than the above.

11.2 RETURNS

The Customer Service Department will issue a Return Authorization (RA) number for all returns. The following information will be required:

1. Billing and a ship-to address.
2. Model and serial number.
3. Contact name and phone number.
4. Reason for return.
5. Purchase order (where applicable).
6. RA number on outside of the carton.

All material must be returned freight prepaid. All merchandise must be properly packaged and free of any corrosive, toxic or otherwise hazardous chemical. All items returned must reference Return Authorization.

11.3 CREDITS

No equipment will be accepted beyond six months after date of shipment from the factory. Only unused and undamaged equipment will be accepted for return to stock. All credits are based on acceptance of materials as new and unused by our inspection personnel. A restocking fee will apply. All equipment returned for credit must have a RA number and be returned freight prepaid.

PULSAFEEDER

USA

Pulsafeeder, Inc.
27101 Airport Road
Punta Gorda, FL 33982
USA
(941) 575-3800
www.pulsatron.com

European Union (EU)

Pulsafeeder-Europe
Via Kennedy, 12-20090
Segrate—Milano— Italy

