

# Fiberglass Shot Feeder



Where Innovation Flows



Neptune Fiberglass By-Pass Feeders are a convenient and efficient way to properly feed liquid, granular or solid chemicals for water treatment. Vinylester resin body tanks are superior to standard steel by-pass feeders for shot feeding corrosive chemicals.

## FEATURES AND BENEFITS

- Three sizes available: 15, 40 and 80 lb. (6.8, 18.1 and 36.3 kg) capacities
- Threaded, gasketed closure
- Two threaded side connections
- Rated up to 150 psi at 150°F (10.3 bar at 66°C)

## OPTIONS

- PVC piping kits include distributor/strainers and all required fittings. Fittings rated up to 120 psi at 100°F (8.3 bar at 38°C)
- Flow indicators
- Pressure relief valves and solenoid valves

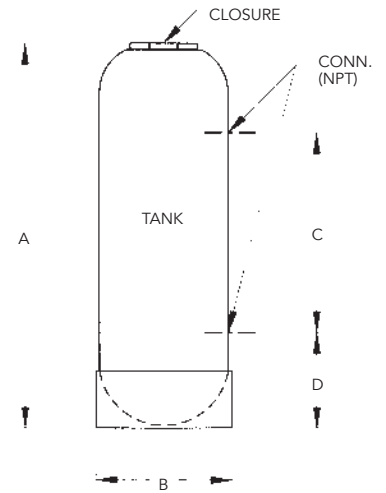
# Specifications

## TANKS

Vinylester resin bodies have two threaded side connections and one 2-3/4" (69.9 mm) or 4" (101.6 mm) top opening with threaded gasketed closure. Tanks rated to 150 psi at 150°F (10.3 bar at 66°C).

MODEL	CAPACITY			DIMENSIONS INCHES (MM)				CLOSURE IN. (MM)	CONN. SIZE NPT	SHIP WT. LB. (KG)
	GAL. (L)	FT. <sup>3</sup> (M <sup>3</sup> )	LB. (KG)*	A	B	C	D			
BR-2	2.3 (8.7)	0.3 (.009)	15 (6.8)	18-1/2 (469.9)	6 (152.4)	9-3/8 (238.1)	4-5/8 (117.5)	2-1/2 (64)	3/4	5 (2)
BR-5	5.0 (18.9)	0.7 (.02)	40 (18.1)	30-1/2 (774.7)	7 (177.8)	21 (533.4)	4-1/4 (108.0)	2-1/2 (64)	3/4	8 (4)
BR-10	10.0(37.9)	1.4 (.04)	80 (36.3)	35-3/8 (898.5)	10 (254.0)	23-3/4 (603.3)	5-1/2 (139.7)	4 (102)	3/4	17 (8)

\*Capacity in lb. of tablets; capacity reduced by 50% for granular product.

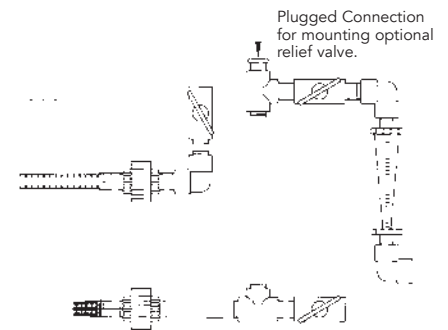


## PIPING KITS

PVC threaded fittings for operation to 120 psi at 100°F (8.3 bar at 38°C).

Kit contains: two strainers, three ball valves, two tees, two 90° elbows, required nipples and plugs.

MODEL	DESCRIPTION	USE WITH	SHIP WT. LB. (KG)
BP-75	3/4" NPT Piping Kit includes two 3/4" x 1/2" (19 mm x 13 mm) bushings to adapt flow indicators.	BR-2, BR-5, BR-10	5 (2)



## FLOW INDICATORS

5% accuracy, Polysulfone and CPVC with 316SS float. Male pipe connections rated to 150 psi at 120°F (10.3 bar at 49°C).

MODEL	RANGE GPM (L/MIN)	CONN. SIZE NPT	USE WITH	SHIP WT. LB. (KG)
FI-1	0.1 - 1 (0.4 - 3.8)	1/2	BR-2, BR-5, BR-10	1 (0.5)
FI-2	0.2 - 2 (0.8 - 7.6)	1/2	BR-2, BR-5, BR-10	1 (0.5)
FI-5	0.5 - 5 (1.9 - 18.9)	1/2	BR-5, BR-10	1 (0.5)
FI-10	1 - 10 (3.8 - 37.9)	3/4	BR-10	2 (0.9)

## Dual Size Closure Wrench

Glass filled polypropylene wrench fits both 2-1/2" (63.6 mm) and 4" (101.6 mm) closures.

Part Number 107282



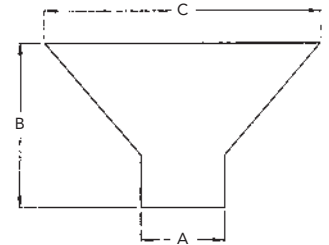
## RELIEF VALVE

Specify RV-BR for 1/2" (12.7 mm) PVC safety relief valve. (Required for bromine service.) Set at 50 psi (3.5 bar). Includes elbow, adapter, hose clamp and 4' (1.2 m) of tubing to pipe relief outlet away.

## FUNNELS

Polyethylene funnels are available in two sizes to fit the 2-1/2" or 3-3/4" top opening of the bromine feeder body.

PART NUMBERS	FITS MODELS	DIMENSIONS INCHES (MM)		
		A	B	C
106894	BR-2, BR-5	2-3/8 (60.3)	7-1/2 (190.5)	9-1/2 (241.3)
106809	BR-10	3-1/2 (88.9)	7 (177.8)	11-1/2 (292.1)



BR-19  
NPT-10220-F-01

Where Innovation Flows



Authorized PSG® Partner:

Copyright 2020 PSG®, a Dover company



PSG  
22069 Van Buren Street  
Grand Terrace, CA 92313-5651 USA  
P: +1 (909) 422-1700 • F: +1 (909) 783-3440  
[psgdover.com/neptune](http://psgdover.com/neptune)

