

PULSAFEEDER®

The Chem-Tech Series 100 is the standard by which all other dosing pumps are judged, Chem-Tech Series 100/150 pumps with motorized-diaphragm technology deliver dependable performance and extended longevity. The Series 100/150 provides quiet, consistent metering over long periods of time in a compact form.

A tried-and-true electric motor transfers power via a sealed gearbox and eccentric cam for smooth, reliable dosing. Simple, adjustable system with knob and locking lever provide easy flow rate control and turndown. The compact, injection-molded housing and clear pump head offer both affordability and chemical resistance. The industrial grade, low-stress diaphragm provides long life, even in harsh conditions and continuous duty cycles.

Series 100 Models - The preferred metering pump for water conditioning professionals around the world. Perfect for applications where economical, consistent performance is required. Capable of a wide range of flows, from less than 3 USGPD (0.47 lph) up to 30 USGPD (4.72 lph) and pressures up to 100 PSIG (7 BAR).

Series 150 Models - Built upon the same solid platform as the 100 Models, these units are capable of higher flow rates. With a range offering up to 100 USGPD (15.76 lph), the Series 150 can meet the demands of larger applications. Maximum pressure is 60 PSIG (4.2 BAR).

FEATURES

- Guided Quad Check Valve System
- Bleed Valve Assembly Standard.
- Feed Rate Control.

CONTROLS



Feed Rate Control


- Adjustable Feed Rate.

OPERATING BENEFITS

- Reliable metering performance.
- Sealed gear train.
- Self priming.
- Chemical resistant materials.
- Simple installation.



| Standard Agency Listings | | |
|--|-----|---------|
| Model | ETL | ETL san |
| All 60Hz | X | X |
| 100-150 50 Hz | | |
| Contact factory for alternate listings | | |

 **CHEM-TECH**
Series 100, 150
Mechanical Metering Pumps

SPECIFICATION AND MODEL SELECTION

| MODEL Series 100 | Control Parameters | | MODEL Series 150 | Control Parameters |
|------------------|--|--|------------------|---|
| X003. | 3 gpd (0.47 lph) max pres.: 100 PSI (7 BAR) | | X068 | 68 gpd (10.72 lph) max pres.: 60 PSI (4 BAR) |
| X007 | 7 gpd (1.00 lph) max pres.: 100 PSI (7 BAR) | | X100 | 100 gpd (15.76 lph) max pres.: 60 PSI (4 BAR) |
| X015 | 15 gpd (2.34 lph) max pres.: 100 PSI (7 BAR) | | | |
| X024 | 24 gpd (3.78 lph) max pres.: 100 PSI (7 BAR) | | | |
| X030 | 30 gpd (4.72 lph) max pres.: 100 PSI (7 BAR) | | | |

ENGINEERING DATA

| | |
|-----------------------------------|--|
| Pump Head Materials Available | Clear PVC, PVC, PP, 316SS |
| Diaphragm | CSPE, Viton, PTFE-faced CSPE backed |
| Check Valves Materials Available | |
| Seats/O-Rings | PTFE, CSPE, Viton |
| Balls | Ceramic, PTFE, 316SS |
| Fittings Materials Available | GFPL, PVC, PVDF |
| Bleed Valve | Same as fitting and check valve selected, except 316SS |
| Injection Valve & Foot Valve Assy | Same as fitting and check valve selected |
| Tubing | Clear PVC, White PE, Black PE |

Important: Material Code - GFPL=Glass-filled Polypropylene, PVC=Polyvinyl Chloride, PE=Polyethylene, CSPE=Generic formulation of Hypalon, a registered trademark of E.I. DuPont Company. Viton is a registered trademark of E.I. DuPont Company. PVC wetted end recommended for sodium hypochlorite.

| | |
|-----------------------|---|
| Viscosity Max CPS | 300 CPS |
| Power Input | 115 VAC/60 HZ, 230 VAC/50 HZ, 230 VAC/60 HZ |
| Temperatur Limitaions | 125°F / 51°C max |
| Shipping Weight | 8 lbs. / 3.63 kg. |
| Approvals | Conforms to ANSI/NSF STD. 50 Equipment for swimming pools, spas, hot tubs, and other recreational water facilities. |

AFTERMARKET

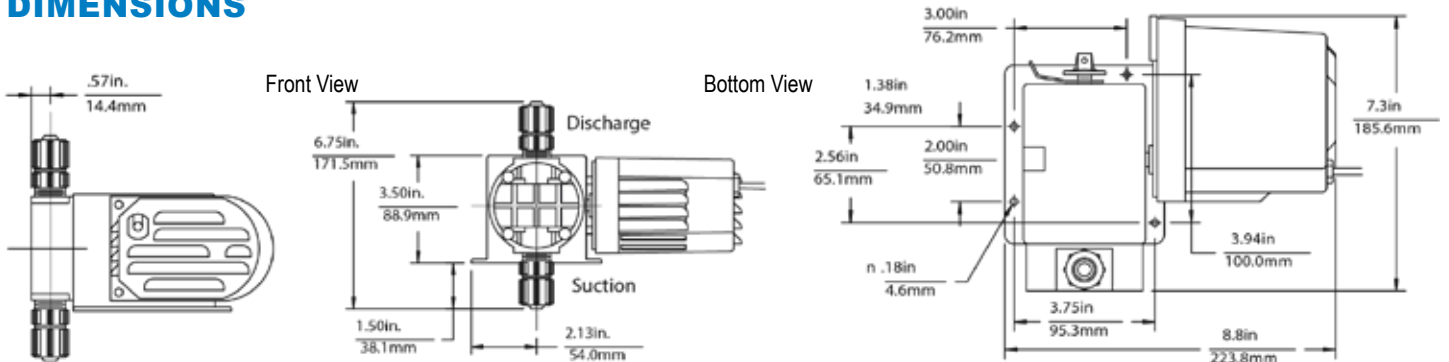
- KOPkits
- Gauges
- Dampeners
- Pressure Relief Valves
- Tanks
- Process Controllers (MicroVision)

INTEGRATED TANK SYSTEMS



Pulsafeeder's ITS System is a completely integrated tank system constructed of high density UV resistant polyethylene (PE) with a 15 gallon capacity. This tank system is translucent with 5 gallon increments and the tank's low level indicator allows visual monitoring of chemicals without opening the tank. The tight fitting child proof lid keeps the chemical free of contaminants and protects the surrounding area from chemical fumes. The ITS System also allows for easy access to the liquid end and control panel of the mounted pump. A system consists of a chemical tank with lid and bulkhead fittings, a liquid level indicator float assembly and feeder mounting hardware.

DIMENSIONS



27101 Airport Road
Punta Gorda, FL 33982
Tel: (941) 575-3800
Fax: (941) 575-4085
www.pulsatron.com



An ISO Certified Company



sales@watertreatmentsupply.com
Office: 954-772-2129
www.watertreatmentsupply.com

