

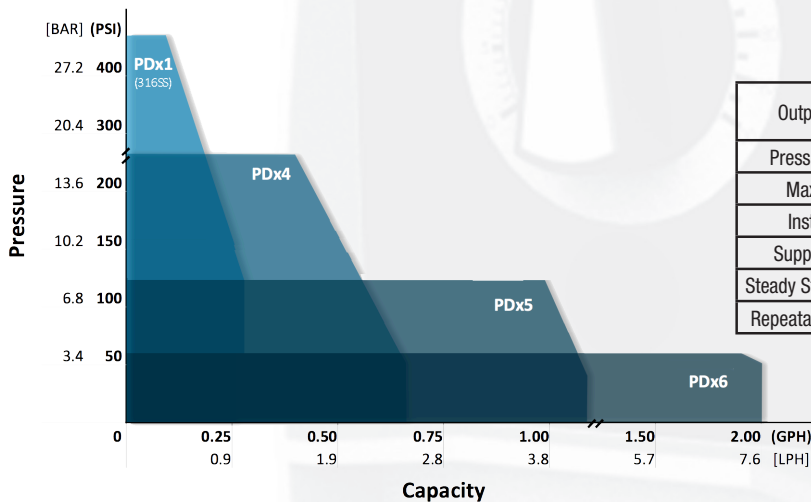
Chemical Metering Pump

Designed to Last

Introducing the PD Series chemical metering pump, the new standard in water treatment. This upgrade to LMI's most popular pump series includes an improved drive design, all new electronics, and proven FASTPRIME™ liquid ends. Available in Manual or Enhanced control models, the PD Series pump fits seamlessly into your process control application. The Manual model offers straightforward control without the need for tedious calculations. Its split-scale dial ensures precision, even at lower flow rates. The Enhanced model offers external control and a large graphical display to provide intuitive access to advanced features such as calibration assist, system and user totalizers, the new STAYPRIME™ degassing technology, and more.

Trusted by water treatment professionals for more than a generation, the PD Series chemical metering pump will continue to earn your trust for years to come.

Performance Specifications



Output Range	.002 – 2.0 GPH (.008 – 7.6 LPH)
Pressure Range	50-450 PSI (3.4-30.6 BAR)
Max Stroke	160 SPM
Installation	Indoor/Outdoor
Supply Voltage	115-230V / 50-60Hz
Steady State Accuracy	+/- 3%
Repeatable Accuracy	+/- 3%

FastPrime™ Liquid Ends*

	PSI	GPH	BAR	LPH
PDx1	450	0.10	30.6	0.38
	300	0.20	20.4	0.76
	150	0.25	10.2	0.95
PDx4	250	0.35	17.0	1.32
	150	0.52	10.2	1.97
PDx5	50	0.68	3.4	2.57
	110	1.00	7.5	3.79
PDx6	30	1.10	2.0	4.20
	50	2.00	3.4	7.57

*Standard on PD0 and PD7 models

Features and Benefits

- Shared drive platform with universal 115-230V, 50/60 Hz power supply
- Flows from 2 GPH (7.57 LPH) up to 450 PSI (30.6 BAR)
- Simplified capacity control with constant stroke length to maintain calibration across the adjustable range
- Advanced electronics with dynamic compensation for temperature and voltage conditions
- FastPrime™ liquid ends (standard) that allow fast and easy priming with integrated bleed valve
- AutoPrime™ liquid ends (optional), designed specifically for off-gassing liquids (See page 4 for performance specifications)
- Rugged construction with NEMA 4X/IP 65 housing for the harshest environments and outdoor use
- Compact footprint for efficient use of space in process applications or OEM configuration
- Agency certifications - NSF 61 and 50 (pending), ETL, CE
- Built on decades of experience and fully backed by LMI's two-year warranty

*4-20 mA Analog Input usage requires the MP-100 Pulse Pacer and the 57958 adapter cable.

Literature #IR-950015-02 rev 3, 11-2021 ©2018 Milton Roy, LLC



Manual Model

Enhanced Model

Enhanced Functionality (PD7)

- **2.4" Color LCD** - Intuitive navigation allows you to configure and operate with ease – view status and alerts from a distance to confirm safe operation
- **External Control Inputs** - Automate your process with pulse pacing, 4-20 mA analog input*, remote start/stop, and tank level indication – ideal for proportional dosing
- **Calibration Assist** - Simply draw from a column and adjust the estimated value on-screen to the measured actual – calibration is that easy
- **System & User Totalizers** - An odometer for your pump that logs pump strokes, estimated volume, and power cycles – confirm pump operation between visits
- **StayPrime™ Degassing Technology** - Automates the priming cycle after a period of idle pump time to ensure prime





OUTPUT CODE 1 _____ 0.25 GPH (0.95 LPH); 450 psi (30.6 bar)

Drive End						
Control						
PD01	Manual Control		-			
PD71	Enhanced Control with Pulse Input, Remote Stop/Start, and Tank Level Input					
Power Code						
X	See Power Code Table					
	Liquid End	Head	Fittings	Balls	Seat / O-Rings	RPM Kit
	Machined FastPrime™					
	907NP	316SS	316SS	316SS	316SS / PTFE	1/4" NPT RPM-907
PD01	1	-907	N	P		

OUTPUT CODE 4 _____ 0.68 GPH (2.6 LPH); 250 psi (17.0 bar)

Drive End						
Control						
PD04	Manual Control		-			
PD74	Enhanced Control with Pulse Input, Remote Stop/Start, and Tank Level Input					
Power Code						
X	See Power Code Table					
	Liquid End	Head	Fittings	Balls	Seat / O-Rings	RPM Kit
	Molded FastPrime™					
	822	PVDF	PVDF	Ceramic	PTFE / Polyprel®	RPM-822
	823	PVDF	PVDF	Ceramic	PTFE / Polyprel®	RPM-823
	828	PVC	PVC	Ceramic	PTFE / Polyprel®	RPM-822
	Machined FastPrime™					
	925	PP	PP	Ceramic	PTFE / Polyprel®	RPM-823
	927	316SS	316SS	316SS	316SS / PTFE	RPM-927
	928	PVC	PVC	Ceramic	PTFE / Polyprel®	RPM-822
	929	Acrylic	PVDF	PTFE	Polyprel®	RPM-929
	920	Acrylic	PVC	Ceramic	PTFE / Polyprel®	RPM-822
	AutoPrime™					
	A28	PVC	PVC	Ceramic	PTFE / Polyprel®	RPM-A20A
	A20	Acrylic	PVC	Ceramic	PTFE / Polyprel®	RPM-A20A
	High Viscosity					
	624VI	PP	PP	316SS	PTFE	RPM-624
	626VI	Acrylic	PP	316SS	PTFE	RPM-626
	FastPrime Valve Code			AutoPrime Valve Code		
	S	with 4 Function Valve		H	with 4 Function Valve	
	N	-		A	-	
	Connection Code			Also sold as		
	I	Imperial		2		
	M	Metric		3		
	P	Pipe (1/4" NPT, 316SS only)		0		
PD04	1	- 822	S	I		

POWER CODE TABLE

Power Code	Voltage	Frequency	Plug
1	115/230V	50-60 Hz	110-120V US Plug, UL
2	115/230V	50-60 Hz	220-240V US Plug, UL
3	115/230V	50-60 Hz	220-240V DIN Plug, CE
5	115/230V	50-60 Hz	220-240V UK Plug, CE
6	115/230V	50-60 Hz	220-240V Aust/NZ Plug

OUTPUT CODE 5

1.1 GPH (4.2 LPH); 110 psi (7.62 bar)

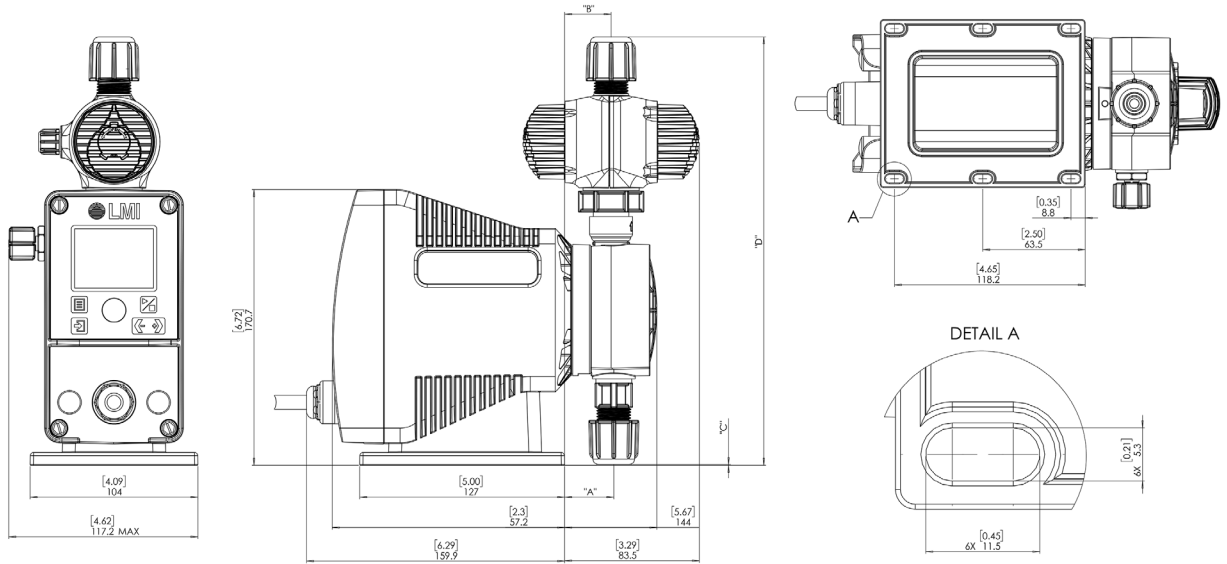
Drive End					
Control					
PD05	Manual Control	-			
PD75	Enhanced Control with Pulse Input, Remote Stop/Start, and Tank Level Input				
Power Code					
X	See Power Code Table				
Liquid End	Head	Fittings	Balls	Seat / O-Rings	RPM Kit
Molded FastPrime™					
832	PVDF	PVDF	Ceramic	Polyprel®	RPM-832
833	PVDF	PVDF	Ceramic	PTFE	RPM-833
838	PVC	PVC	Ceramic	Polyprel®	RPM-832
Machined FastPrime™					
935	PP	PP	Ceramic	PTFE	RPM-833
937	316SS	316SS	316SS	316SS / PTFE	RPM-937
938	PVC	PVC	Ceramic	Polyprel®	RPM-832
939	Acrylic	PVDF	PTFE	Polyprel®	RPM-939
930	Acrylic	PVC	Ceramic	Polyprel®	RPM-832
AutoPrime™					
A38	PVC	PVC	Ceramic	PTFE / Polyprel®	RPM-A30A
A30	Acrylic	PVC	Ceramic	PTFE / Polyprel®	RPM-A30A
High Viscosity					
634VI	PP	PP	316SS	PTFE	RPM-634
636VI	Acrylic	PP	316SS	PTFE	RPM-636
	FastPrime Valve Code		AutoPrime Valve Code		
	S	with 4 Function Valve	H	with 4 Function Valve	
	N	-	A	-	
	Connection Code		Also sold as		
	I	Imperial	2		
	M	Metric	3		
	P	Pipe (1/4" NPT, 316SS only)	0		
PD05	1	- 832	S	I	

OUTPUT CODE 6

2.0 GPH (7.6 LPH); 50 psi (3.45 bar)

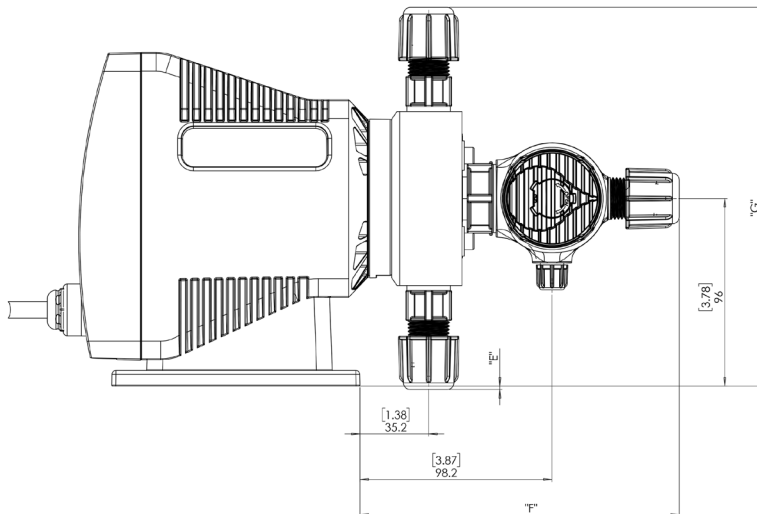
Drive End					
Control					
PD06	Manual Control	-			
PD76	Enhanced Control with Pulse Input, Remote Stop/Start, and Tank Level Input				
Power Code					
X	See Power Code Table				
Liquid End	Head	Fittings	Balls	Seat / O-Rings	RPM Kit
Molded FastPrime™					
842	PVDF	PVDF	Ceramic	Polyprel®	RPM-842
843	PVDF	PVDF	Ceramic	PTFE	RPM-843
848	PVC	PVC	Ceramic	Polyprel®	RPM-842
Machined FastPrime™					
945	PP	PP	Ceramic	PTFE	RPM-843
947	316SS	316SS	316SS	316SS / PTFE	RPM-947
948	PVC	PVC	Ceramic	Polyprel®	RPM-842
949	Acrylic	PVDF	PTFE	Polyprel®	RPM-949
940	Acrylic	PVC	Ceramic	Polyprel®	RPM-842
AutoPrime™					
A48	PVC	PVC	Ceramic	PTFE / Polyprel®	RPM-A40A
A40	Acrylic	PVC	Ceramic	PTFE / Polyprel®	RPM-A40A
High Viscosity					
644VI	PP	PP	316SS	PTFE	RPM-644
646VI	Acrylic	PP	316SS	PTFE	RPM-646
	FastPrime Valve Code		AutoPrime Valve Code		
	S	with 4 Function Valve	H	with 4 Function Valve	
	N	-	A	-	
	Connection Code		Also sold as		
	I	Imperial	2		
	M	Metric	3		
	P	Pipe (1/4" NPT, 316SS only)	0		
PD06	1	- 842	S	I	

Dimensions



LIQUID END MODEL	"A"		"B"		"C"		"D"	
	INCH	MM	INCH	MM	INCH	MM	INCH	MM
LE-7XXNX	1.20	30.5	1.13	28.8	0.34	8.6	7.84	199.2
LE-7XXNX	1.20	30.5	1.13	28.8	0.34	8.6	10.45	265.4
LE-8XXNX	1.20	30.5	1.13	28.8	0.01	0.3	8.17	207.5
LE-8XXSX	1.20	30.5	1.13	28.8	0.01	0.3	10.45	265.4
LE-90XNX, LE-92XNX, LE-93XNX	1.39	35.2	1.39	35.2	0.10	2.5	7.47	189.7
LE-90XSX, LE-92XSX, LE-93XSX	1.39	35.2	1.39	35.2	0.10	2.5	9.75	247.6
LE-94XNX	1.39	35.2	1.39	35.2	-0.07	-1.8	7.64	194
LE-94XSX	1.39	35.2	1.39	35.2	-0.07	-1.8	9.92	251.9

AUTOPRIME™ LIQUID END



LIQUID END MODEL	"E"		"F"		"G"	
	INCH	MM	INCH	MM	INCH	MM
LE-A1XNX, LE-A2XNX, LE-A3XNX	-0.10	-2.5	4.15	105.4	7.46	189.6
LE-A1XSX, LE-A2XSX, LE-A3XSX	-0.10	-2.5	6.43	163.3	7.46	189.6
LE-A4XNX	0.07	1.8	4.15	105.4	7.63	193.8
LE-A4XSX	0.07	1.8	6.43	163.3	7.63	193.8

Performance Specifications

	PSI	GPH	BAR	LPH
AutoPrime™ Degassing Liquid Ends PDx4	250	0.20	17.0	0.76
	150	0.30	10.2	1.14
PDx5	110	0.75	7.5	2.84
	50	0.85	3.4	3.22
PDx6	50	1.75	3.4	6.62
	30	1.85	2.0	7.00

About Ingersoll Rand Inc.

Ingersoll Rand Inc. (NYSE:IR), driven by an entrepreneurial spirit and ownership mindset, is dedicated to helping make life better for our employees, customers and communities. Customers lean on us for our technology-driven excellence in mission-critical flow creation and industrial solutions across 40+ respected brands where our products and services excel in the most complex and harsh conditions. Our employees develop customers for life through their daily commitment to expertise, productivity and efficiency. For more information, visit www.IRCO.com



FastPrime is a trademark of Milton Roy, LLC
 AutoPrime is a trademark of Milton Roy, LLC
 StayPrime is a trademark of Milton Roy, LLC
 Polyprel is a registered trademark of Milton Roy, LLC

Contact your local representative to find out more about Series PD Chemical Metering Pumps

www.lmipumps.com
www.relyonLMI.com

