

Information Sheet

Series U

Electronic Metering Pumps



Uni-Dose® Models U1 & U0

The **first** electronic metering pumps designed specifically for the water conditioning industry.



Versatile & Flexible

Available with single or dual output control for easy, accurate adjustment over the operating range. Turndown ratio up to 500:1 provides unmatched flexibility. Maximum output from 6 to 30 gallons per day at 80 psi.

Quiet

Advanced noise reduction virtually silences the pump, making it ideal for household applications.

Reliable

Totally enclosed, chemically resistant housings provide superior protection in either indoor or outdoor installations. Digital electronics ensure long life.

Efficient solenoid design provides the power without the troublesome fans, open housings, motors and gears associated with motor-driven pumps.

Safe

Inherent pressure relief stops the pump if the system back pressure exceeds the pump's strength. Thermostatic protection prevents damage from overheating.

Standard priming valve provides safe and easy priming without having to disconnect tubing.

Advanced Valve Design

Each pump is equipped with four self cleaning Uni-Valves™ designed to maintain prime while eliminating the scaling and clogging associated with ball valves.



Self-cleaning Uni-Valves™



Standard PVC Head & Fittings

Standard Accessories

Each Uni-Dose® pump comes complete with a priming valve, injection check/back pressure valve, foot valve with strainer, vinyl suction tubing, UV resistant PE discharge tubing and a ceramic weight. Head and fittings are constructed of high strength PVC.

Made in the USA!

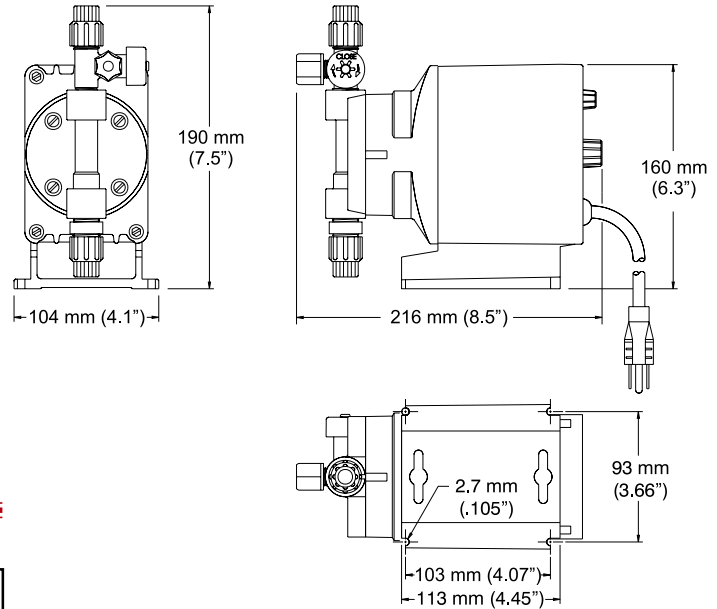
Electronic Metering Pumps

Configuration Data

Model **U04** **1** - **281**

Control & Output Code
Manual Control Speed (stroking frequency) fixed and stroke length manually adjustable. U01 -- 6.0 GPD (0.95 l/h) --- 80 psi (5.5 Bar) U02 -- 12.0 GPD (1.9 l/h) --- 80 psi (5.5 Bar) U03 -- 24.0 GPD (3.8 l/h) --- 80 psi (5.5 Bar) U04 -- 30.0 GPD (4.8 l/h) --- 80 psi (5.5 Bar)
Dual Manual Control Speed (stroking frequency) and stroke length manually adjustable. U12 -- 12.0 GPD (1.9 l/h) --- 80 psi (5.5 Bar) U13 -- 24.0 GPD (3.8 l/h) --- 80 psi (5.5 Bar) U14 -- 30.0 GPD (4.8 l/h) --- 80 psi (5.5 Bar)
Voltage Code
1 ----- 120 VAC US Plug 2 ----- 240 VAC US Plug (<i>not suitable for export</i>) 3 ----- 220-240 VAC DIN Plug 5 ----- 240-250 VAC, UK Plug 6 ----- 240-250 VAC, Aust./NZ Plug 7 ----- 220 VAC, Swiss Plug
Liquid End
PVC head & fittings, Flexiprene™ Liquifram™ and Hypalon® Uni-Valves™

Dimensions



Specifications

Series	Strokes Per Minute		Stroke Length (Adjustable) Recommended Minimum	Maximum Current @ 120 VAC	Shipping Weight
	Min	Max			
U01	fixed - 25		20%	1.4 amps	8 lbs (3.6 kgs)
U02	fixed - 60				
U03	fixed - 100				
U04	fixed - 100				
U12	1	60			
U13	1	100			
U14	1	100			

Output Information

Model	Gallons per Day		Gallons per Hour		Liters per Hour		mL/cc per Min		mL/cc per Stroke		Maximum Injection Pressure
	Min	Max	Min	Max	Min	Max	Min	Max	Min	Max	
U01	1.2	6.0	0.05	0.25	0.19	0.95	3.2	16	0.13	0.63	80 psi (5.5 Bar)
U02	2.4	12.0	0.10	0.5	0.38	1.9	6.3	32	0.11	0.53	80 psi (5.5 Bar)
U03	4.8	24.0	0.20	1.0	0.76	3.8	12.6	63	0.13	0.63	80 psi (5.5 Bar)
U04	6.0	30.0	0.25	1.25	0.95	4.7	15.8	79	0.16	0.79	80 psi (5.5 Bar)
U12	0.04	12.0	0.002	0.5	0.006	1.9	0.11	32	0.11	0.53	80 psi (5.5 Bar)
U13	0.05	24.0	0.002	1.0	0.008	3.8	0.13	63	0.13	0.63	80 psi (5.5 Bar)
U14	0.06	30.0	0.003	1.25	0.010	4.7	0.16	79	0.16	0.79	80 psi (5.5 Bar)